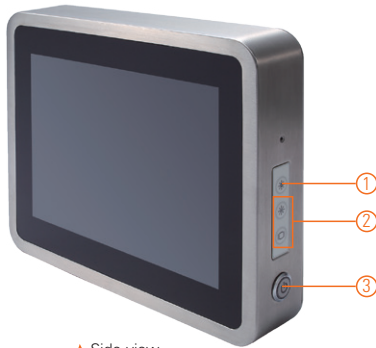


GOT810-845 NEW

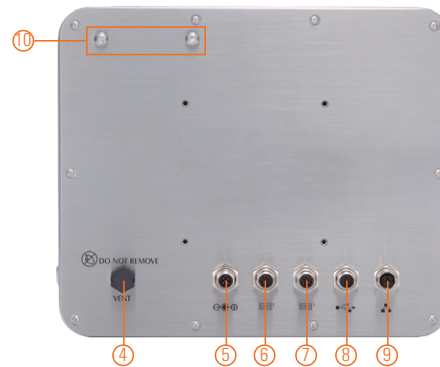
10.4" XGA TFT IP66 & IP69K-rated Stainless Steel Fanless PCT (or Resistive Touch) Panel Computer with Intel® Celeron® N3060 and Flat Bezel Design (-10°C to +50°C)

Features

- 10.4" XGA TFT LCD flat bezel projected capacitive (or resistive) touch
- IP66/IP69K-rated (NEMA 4X) water/dust/corrosion-proof design
- Full stainless steel enclosure with type 316
- -10°C to +50°C wide operating temperature range
- Fanless system with Intel® Celeron® N3060
- Optional Wi-Fi/3G kit for wireless network connectivity
- 9 to 36 VDC wide range power input
- M12 type I/O connectors for harsh environments



▲ Side view



1. Backlight on/off
2. Brightness adjust
3. Power switch (ATX)
4. Ventilation valve
5. DC power connector (M12 A-coded)
6. 1 x configure RS-422/485 (default RS-232, M12 A-coded)
7. 1 x RS-232 (M12 A-coded)
8. 2 x USB 2.0 (M12 A-coded)
9. 1 x Ethernet (M12 X-coded)
10. 2 x Antenna opening



Introduction

The 10.4-inch GOT810-845 is specially designed for food processing applications. Its IP66-rated stainless steel housing protects entire system from damage of water, powder and dust. It also supports a wide operating temperature range from -10°C to +50°C. Thus, this robust unit is specifically designed for high humidity, dusty or wet spaces in food factories or kitchens and more harsh applications.

Full IP66 and IP69K Compliance

The GOT810-845 adopts a water/dust-proof housing design with five IP66-rated M12 I/O connectors and IP69K compliance that ensures the product's ability to resist ingress of high temperature and high pressure water. It passed entire system IP66 test by SGS, and verified salt mist test. Additionally, it was tested by a spray nozzle with high temperature water (+80°C), a flow rate of 14 to 16 L/min and a nozzle hold with distance 10 to 15 cm away from the device at angles of 0°, 30°, 60° and 90° for 30 seconds. The GOT810-845 is qualified to meet harsh environment applications.

Wide Temp. (-10°C to +50°C) & Anti-vibration (2G) Design

The GOT810-845 featuring fanless and noiseless design supports a wide operating temperature range from -10°C to +50°C. Besides, the patent of anti-vibration for SSD ensures system reliability and stability.

Specifications

Enclosure	Stainless type 316	
LCD Panel	Display Type	10.4" XGA TFT LCD
	Brightness (cd/m ²)	350 nits
	Resolution	1024 x 768
	Viewing Angle (H/V)	160°/160°
Main System	CPU	Intel® Celeron® N3060 2C@1.6 GHz (up to 2.48 GHz)
	Chipset	SoC integrated
	System Memory	1 x DDR3L 1333 MHz SO-DIMM up to 8GB
	BIOS	AMI with Axiomtek standard features; such as, SmartView, Ethernet Boot ROM (RPL & PXE), customer CMOS backup
	Storage	1 x mSATA 1 x SATA
	Watchdog Timer	255 levels, 1 to 255 sec.
	Onboard Graphics	Integrated in Intel® GFX

* All specifications and photos are subject to change without notice. www.axiomtek.com © 2019 Axiomtek Co., Ltd. All rights reserved.

Specifications

I/O Connector	1 x RS-232/422/485 (default RS-232, M12 A-coded) 1 x RS-232 (M12 A-coded) 2 x USB 2.0 (M12 A-coded) 1 x 10/100/1000 Mbps Ethernet (M12 X-coded) 1 x DC power connector (M12)
Expansion Interface	2 x PCI Express Mini Card slot
Touchscreen	5-wire resistive touch or projected capacitive multi-touch
Power Input	9 to 36 VDC
Power Consumption	29W
Dimensions	284 mm (11.2") (W) x 56 mm (2.2") (D) x 241 mm (9.49") (H)
Packing Dimensions	415 mm (16.34") (W) x 100 mm (3.94") (D) x 315 mm (12.4") (H)
Weight (net/gross)	2.8 kg (6.17 lb)/4 kg (8.82 lb)
Operating Temperature	-10°C to +50°C (14°F to +122°F)
Relative Humidity	20% - 90% @40°C; non-condensing
Operation Vibration	2G/10 - 500Hz/operation (SSD/mSATA, random)
Certifications	CE

* W.T.: Wide Temperature. All W.T. supported products have to be sorted by Axiomtek.

Packing List

- 1 x GOT810-845
- 1 x Driver DVD
- 1 x DC cable

Ordering Information

GOT810-845-R	10.4" IP66 & IP69K stainless steel touch panel computer with flat resistive touch with Intel® Pentium® N3060 onboard XGA 350 nits LCD water-proof power cable (1.8 m)
GOT810-845-C	10.4" IP66 & IP69K stainless steel touch panel computer with projected capacitive touch with Intel® Pentium® N3060 onboard XGA 350 nits LCD water-proof power cable (1.8 m)

*Specifications and certifications may vary based on different requirements.

Optional Accessories

594B8122100E	Water-proof COM cable (1.8 m)
594B8152820E	USB cable M12-8P-F, 2 x type A (1.8 m) EN
594B8152710E	Water-proof LAN cable (1.8 m)
50966224010E	Adapter 24V 90W, M12 A-code 5P FSP090AAAN3

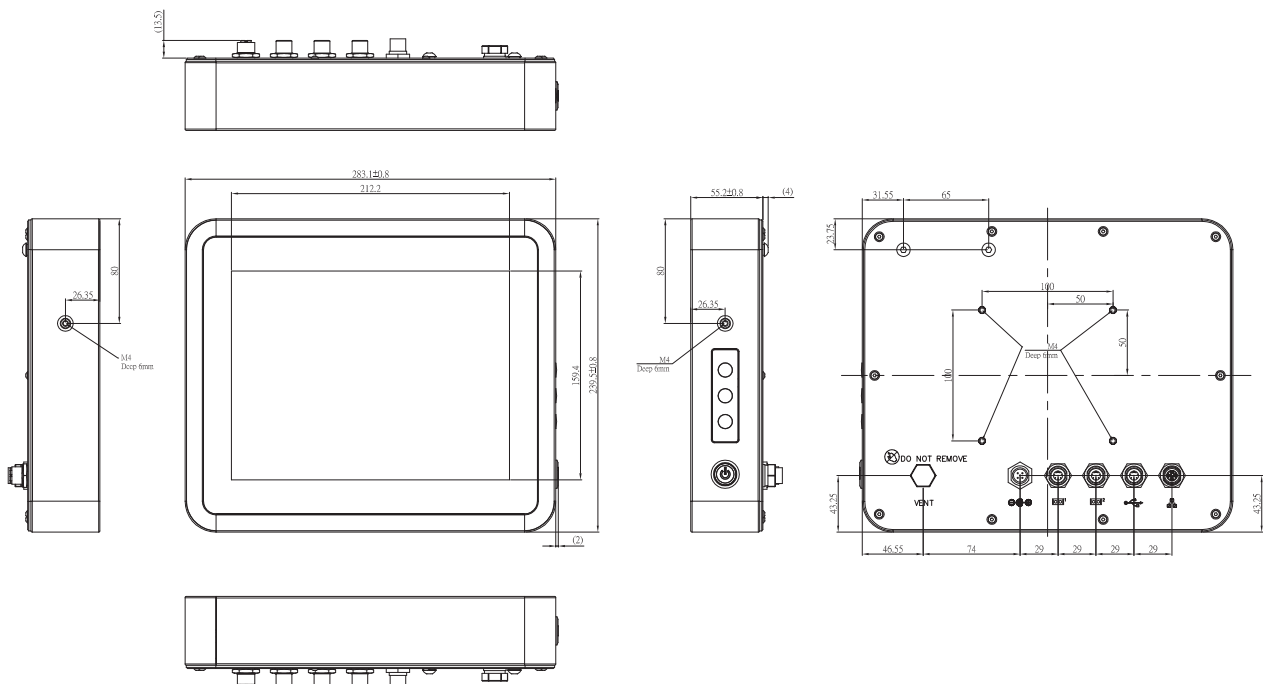
Optional EOS Installation

- WES 7
- WE8S

Optional OS Installation

- Windows® 7
- Windows® 8/8.1
- Windows® 10

Dimensions



* All specifications and photos are subject to change without notice. www.axiomtek.com © 2019 Axiomtek Co., Ltd. All rights reserved.