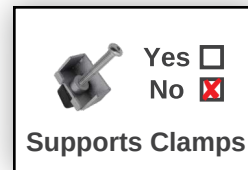


# 7" Capacitive Touch PC

FT07N4200CAPOB



- Intel® Pentium® N4200 QuadCore CPU
- 4GB RAM memory, 128GB Industrial SSD
- Supports Windows 10 & Linux (32Bit, 64Bit)
- Anti-glare surface treatment (chemical etching)
- 10-Finger-Multi Touch Capacitive Touch Panel
- 1.1mm cover glass with 7H surface hardness
- Optically bonded Touch Panel to LCD Panel
- Patented IP65 front with silicon seal
- Integrated W-LAN
- 2 year guarantee

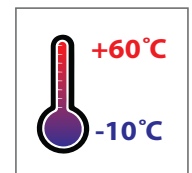


faytech's Capacitive PC series stands out among competition with its fanless silent operation, IP65 front panel design, high reliability and fine craftwork.

It is the perfect choice for industrial and business application. It has flat edge to edge glass with IP65 water- and dust proof front panels and a sturdy aluminum case with stable VESA 100 fixation bolts (VESA 400 for 32" and up).

The touch PC is powered by faytech's industrial Apollo Lake mainboard. It is driven by the powerful Intel® Pentium® N4200 QuadCore processor with up to 2.50 GHz clock frequency. This version is equipped with 4GByte RAM, 128G SSD and Intel's HD Graphic chipset, supporting FullHD, DirectX 11.1 and OpenGL 4.0.

These faytech PCs are the perfect choice for a wide variety of applications including POS systems, control panels in industrial fields, in kiosk systems, office/residence automation, digital signage and in areas like shopping malls, classrooms, hotels and many more.



|                                   |                                     |                               |                     |                       |              |
|-----------------------------------|-------------------------------------|-------------------------------|---------------------|-----------------------|--------------|
| <b>Product name</b>               |                                     | <b>7" Capacitive Touch PC</b> |                     |                       |              |
| <b>Model number / EAN number</b>  |                                     | <b>FT07N4200CAPOB</b>         |                     |                       |              |
| Global Article Code<br>3030505181 | European Article Code<br>1010501971 | Release date<br>06/07/2020    | Global Article Code | European Article Code | Release date |

|                        |  |
|------------------------|--|
| <b>IP Rating</b>       |  |
| IP65 Front / IP40 Back |  |

|                                                 |              |
|-------------------------------------------------|--------------|
| <b>LCD Panel</b>                                |              |
| Screen diagonal (Inch/cm)                       | 7/17.78      |
| Display active screen size (cm)                 | 15.42×8.59   |
| Aspect ratio                                    | 16:9         |
| Physical resolution                             | 1024×600     |
| External Maximum showable resolution - HDMI, DP | 1920×1080    |
| Colours displayed                               | 262K         |
| Brightness (cd/m <sup>2</sup> )                 | 500          |
| Contrast                                        | 700:1        |
| Typical reaction time Tr / Tf (ms)              | 10/15        |
| Visual Angle horizontal / vertical (°)          | 150/145      |
| Backlight / Backlight Lifetime (hours)          | LED / 20,000 |

|                                       |                                           |
|---------------------------------------|-------------------------------------------|
| <b>Operation / Mechanical</b>         |                                           |
| Operating Temperature (°C)            | -10 ~ +60                                 |
| Humidity Range (RH)                   | 10% - 90%                                 |
| Net weight (kg)                       | 1.80                                      |
| Gross weight (kg)                     | 2.50 (incl. cartontage)                   |
| Housing material                      | Rubber front case, Aluminum IPC back case |
| Housing (mm) L × W × H                | 195.6 × 137.6 × 49.4                      |
| Cut-out for clamp supports (mm) L × H | N/A                                       |
| Amount of clamps required             | N/A                                       |
| Mounting                              | VESA 100                                  |

|                                                                           |                                   |                       |
|---------------------------------------------------------------------------|-----------------------------------|-----------------------|
| <b>Internal Connectors (occupied)</b>                                     |                                   |                       |
| 1x SO-DIMM, max. 8GB, DDR3L 1333/1600/1867 non-ECC, Single channel memory |                                   |                       |
| 3x RS232/RS485 COM connectors switchable in BIOS                          |                                   |                       |
| 2x LCD Backlight control/LCD panel voltage box                            |                                   |                       |
| 1x 5V/12V SATA power connector                                            | 1x 12V DC power connector (2-pin) |                       |
| 1x 4-pin SATA power connector                                             | 1x S/PDIF output pin header       |                       |
| 1x 8-bit Digital I/O interface                                            | 1x Line-out / Mic-in header       |                       |
| 1x Front Panel box header                                                 | 1x Serial ATA 6Gb/s               |                       |
| 1x MIPI CSI connector                                                     | 1x LVDS box header                | 2x USB 3.0 box header |

|                      |                                                            |
|----------------------|------------------------------------------------------------|
| <b>PC System</b>     |                                                            |
| CPU                  | Intel® Pentium® QuadCore N4200                             |
| Graphic GPU          | Intel® HD Graphics                                         |
| Audio                | Realtek ALC3236 Audio CODEC                                |
| Memory               | 4GB DDR3L non-ECC (max. 8GB)                               |
| Storage (switchable) | faytech Industrial 128GB SSD                               |
| Network              | 2x Realtek PCIe GB LAN 8111G (1x optional with POE); W-LAN |
| Driver Support       | Win10; Linux; 32Bit/64Bit                                  |
| Preinstalled OS      | Linux Ubuntu                                               |

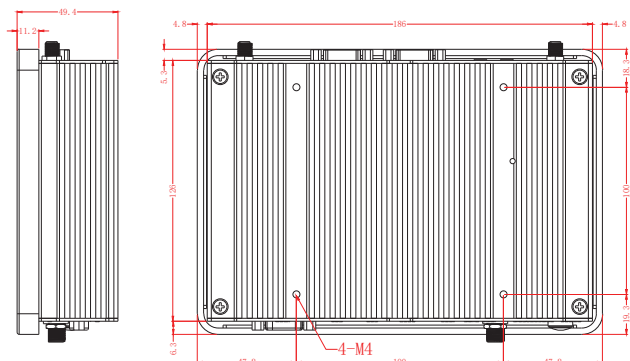
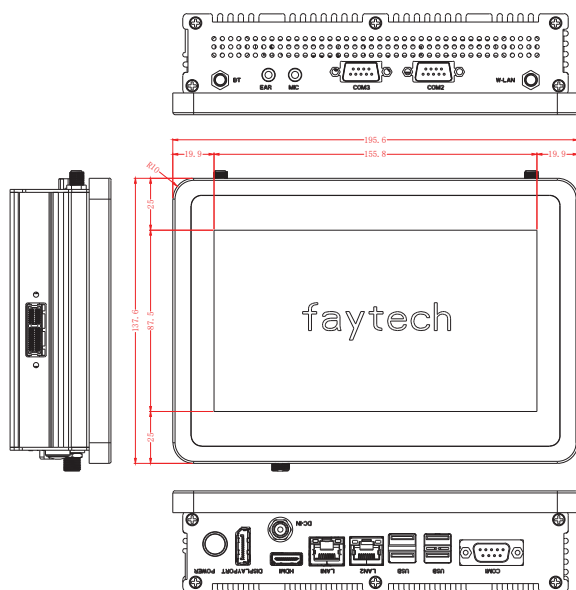
|                       |                                          |
|-----------------------|------------------------------------------|
| <b>Touch Panel</b>    |                                          |
| Touch Technology      | Projected Capacitive 10-Point Multitouch |
| Touch Connector       | USB                                      |
| Touch Life (Contacts) | Unlimited                                |
| Surface Hardness      | 7H                                       |
| Surface Treatment     | Anti-glare (chemical etching)            |

|                          |                                            |
|--------------------------|--------------------------------------------|
| <b>Power</b>             |                                            |
| Power Indicator          | Green LED                                  |
| Power Supply             | 100-240V ACDC active switching; 12V DC-Out |
| Working Power (V)        | 12                                         |
| Power Consumption (W)    | 16                                         |
| Stand-By Consumption (W) | <1                                         |

|                                          |                     |
|------------------------------------------|---------------------|
| <b>External Connectors</b>               |                     |
| 1x 12V DC-In (screwable)                 |                     |
| 1x W-LAN antenna connector (RP-SMA male) |                     |
| 2x USB 3.0                               | 2x USB 2.0          |
| 1x HDMI                                  | 1x MIC-In & EAR-Out |
| 1x BT antenna connector                  | 1x DP               |
| 3x COM port Full-PIN - RS232/485; 5V/12V |                     |
| 2x 10/100/1000Mbit RJ45 Ports            |                     |

|                                           |  |
|-------------------------------------------|--|
| <b>Expansion Slots</b>                    |  |
| 1x mSATA full size (occupied by SSD)      |  |
| 1x M.2 E-Key Slot (occupied by Wifi card) |  |
| 1x SATA connector                         |  |
| 1x External PCIe x1 Straddle connector    |  |

|                                  |  |
|----------------------------------|--|
| <b>Included in the Delivery</b>  |  |
| Power Supply (see Power section) |  |
| W-LAN antenna (RP-SMA female)    |  |
| Short Installation Manual        |  |



Tolerance: ± 0.5mm

## Corporate Headquarters

**faytech AG**  
Bischhäuser Aue 10  
37213 Witzenhausen  
Germany

[support@faytech.com](mailto:support@faytech.com)  
[contact@faytech.com](mailto:contact@faytech.com)  
[www.faytech.com](http://www.faytech.com)

China: +86 755 8958 0612  
Germany: +49 5542 30374 10  
USA: +1 646 205 3214  
India: +91 11 49707436  
Japan: +070 4127 5167