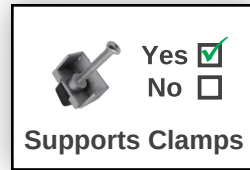


10" Capacitive Touch PC i5-7300u

FT10I5CAPOB



- Intel® Core™ i5-7300U CPU
 - 8GB RAM memory, 128GB Industrial SSD
 - Supports Windows 10 & Linux (32Bit, 64Bit)
 - Anti-glare surface treatment (chemical etching)
 - Docking concept light (exchangeable IPC with front kit)
 - 10-Finger-Multi Touch Capacitive Touch Panel
 - 1.1mm cover glass with 7H surface hardness
 - Optically bonded Touch Panel to LCD Panel
 - Patented IP65 front with silicon seal
 - Integrated W-LAN
 - 2 year guarantee
- *Optional: i3-7100U / i7-7600U Core CPU*

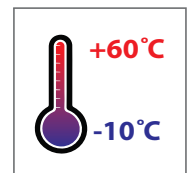


faytech's Capacitive PC series stands out among competition with its fanless silent operation, IP65 front panel design, high reliability and fine craftwork.

It is the perfect choice for industrial and business application. It has flat edge to edge glass with IP65 water- and dust proof front panels and a sturdy aluminum case with stable VESA 100 fixation bolts (VESA 400 for 32" and up).

The PC is powered by the high-end Kaby Lake U industrial mainboard. It has an Intel® Core™ i5-7300U processor with 2.60 GHz, 8GB RAM, a 128GB SSD and Intel®'s HD graphics Chipset.

These faytech PCs are the perfect choice for a wide variety of applications including POS systems, control panels in industrial fields, in kiosk systems, office/residence automation, digital signage and in areas like shopping malls, classrooms, hotels and many more.



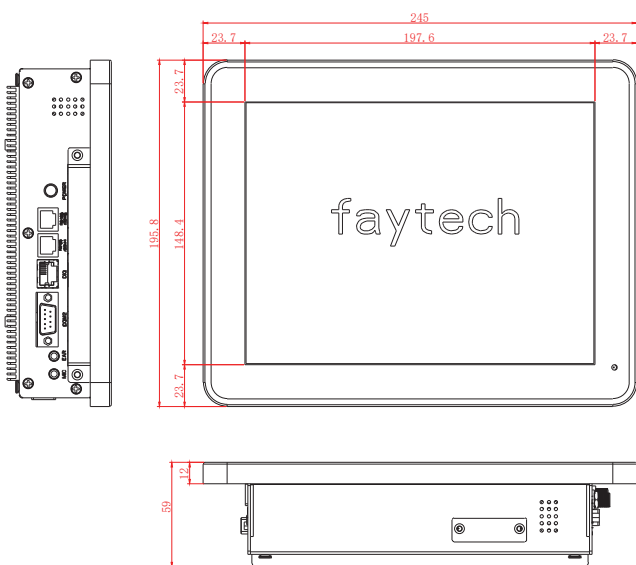
Product name				10" Capacitive Touch PC i5-7300U			
Model number / EAN number				FT10I5CAPOB / 6920734000111			
Global Article Code	European Article Code	Release date	Version	Global Article Code	European Article Code	Release date	Version
3030504193	1010501755	01/07/2020	V1				
3030504193	1010501933	01/09/2020	V2				

IP Rating	
IP65 Front / IP40 Back	

LCD Panel	
Screen diagonal (Inch/cm)	9.7/24.64
Display active screen size (cm)	19.70×14.70
Aspect ratio	4:3
Physical resolution	1024x768
External Maximum showable resolution - HDMI, DP	1920×1200
Colours displayed	16.7M
Brightness (cd/m ²)	350
Contrast	800:1
Typical reaction time Tr / Tf (ms)	10/15
Visual Angle horizontal / vertical (°)	170/170
Backlight / Backlight Lifetime (hours)	LED / 20,000

Operation / Mechanical	
Operating Temperature (°C)	-10 ~ +60
Humidity Range (RH)	10% - 90%
Net weight (kg)	2.00
Gross weight (kg)	2.90 (incl. cartonage)
Housing material	Rubber front case, Aluminum IPC back case
Housing (mm) L × W × H	245.0 × 195.8 × 59.0
Cut-out for clamp supports (mm) L × H	231.0 × 190.0
Max. wall thickness for clamp supports (mm)	5.0
Amount of clamps required	3
Mounting	VESA 100

Internal Connectors (occupied)		
1x SO-DIMM, max. 16 GB, DDR4 1866/2133 non-ECC, Single channel memory		
3x RS232/RS485 COM connectors switchable in BIOS		
2x LCD Backlight control/LCD panel voltage box		
1x 5V/12V SATA power connector	1x 12V DC power connector (2-pin)	
1x 4-pin SATA power connector	1x S/PDIF output pin header	
1x 8-bit Digital I/O interface	1x Line-out / Mic-in header	
1x Front Panel box header	1x Serial ATA 6Gb/s	
1x MIPI CSI connector	1x LVDS box header	2x USB 3.0 box header



PC System	
CPU	Intel® Core™ i5-7300U Processor Kaby Lake
Graphic GPU	Intel HD Graphics
Audio	Realtek ALC3236 Audio CODEC
Memory	8GB DDR4 non-ECC (max. 16GB)
Storage (switchable)	faytech Industrial 128GB SSD
Network	2x Realtek PCIe GB LAN 8111G (1000Mbps) M.2 E-key Wi-Fi module
Driver Support	Win10; Linux; 32Bit/64Bit
Preinstalled OS	Linux Ubuntu

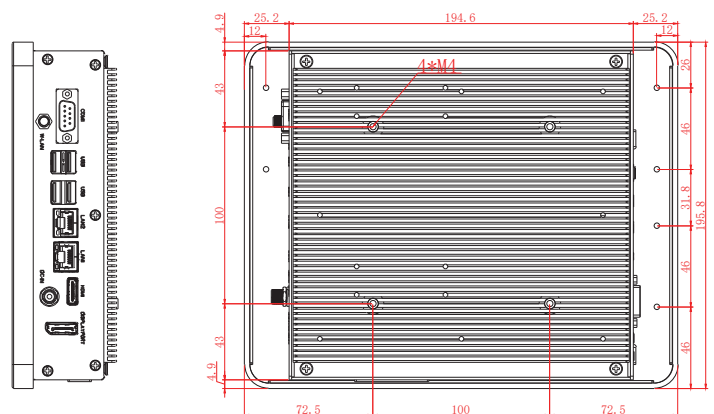
Touch Panel	
Touch Technology	Projected Capacitive 10-Point Multitouch
Touch Connector	USB
Touch Life (Contacts)	Unlimited
Surface Hardness	7H
Surface Treatment	Anti-glare (chemical etching)

Power	
Power Indicator	Green LED
Power Supply	100-240V ACDC active switching; 12V DC-Out
Working Power (V)	12
Power Consumption (W)	28
Stand-By Consumption (W)	<1

External Connectors	
1x 12V DC-In (screwable)	
1x W-LAN antenna connector (RP-SMA male)	
4x USB 3.0	1x DP
1x HDMI	1x MIC-In & EAR-Out
1x 10-PIN DIO as RJ50	
2x COM port Full-PIN - RS232/485; 5V/12V	
2x COM port 3-PIN - RX, TX, GND; RS232/485; 5V/12V	
2x 10/100/1000Mbit RJ45 Ports	
1x 2.5" module slot, changeable SSD included	

Expansion Slots	
1x mSATA full size (occupied by SSD)	
1x M.2 E-Key Slot (occupied by Wifi card)	
1x SATA connector	
1x External PCIe x1 Straddle connector	

Included in the Delivery	
Power Supply (see Power section)	
W-LAN antenna (RP-SMA female)	
Short Installation Manual	
Standard Stand	



Tolerance: ± 0.5mm

Errata and technical modifications reserved

Corporate Headquarters

faytech AG
Bischhäuser Aue 10
37213 Witzenhausen
Germany

support@faytech.com
contact@faytech.com
www.faytech.com

China: +86 755 8958 0612
Germany: +49 5542 30374 10
USA: +1 646 205 3214
India: +91 11 49707436
Japan: +070 4127 5167