

Temperature sensor W30

With angled plug // -50...200 °C



Highlights

- Safe and compact electrical connection due to DIN angled plug
- High protection class against moisture, dust and dirt ingress
- Very high vibration resistance → Reliable and long-lasting operation
- Customer-specific variant possible → Simple integration into plants / systems

Technical data

Type	Temperature sensor with angled plug
Measuring range	-50...200 °C
Measuring medium	Water and aqueous liquids, non-aggressive gases
Immersion tube length	50...200 mm
Immersion tube diameter	6 or 8 mm
Process connection	G½, G¾, M18 x 1.5 or M20 x 1.5
Nominal pressure	PN 25
Ambient temperature	-40...85 °C
Storage temperature	-25...70 °C
Degree of protection according to EN 60529	IP65

Approvals

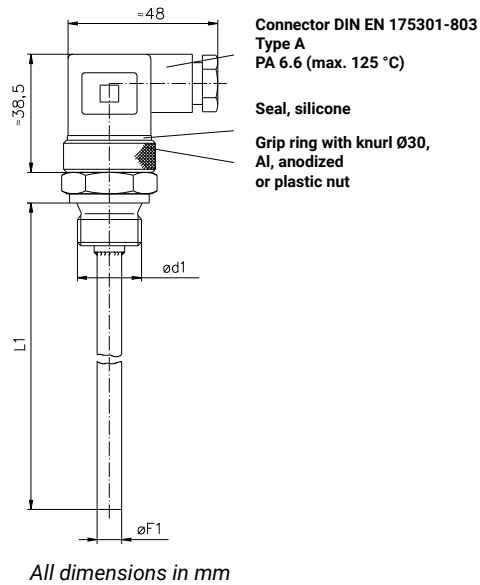
DNV

Electrical data

Measuring element	1 x Pt100 / 2-wire 1 x Pt100 / 3-wire
Measuring insert	Interchangeable
Accuracy	Class B / $\pm(0.30 K + 0.005 \times T)$
Electrical connection	Angled plug, DIN EN 175 301-803, Type A

Technical drawing

W30



Materials

Materials	
Not in contact with media	
Connection head	Plastic PA66 (Max. 125 °C)
In contact with media	
Process connection	Stainless steel 1.4571
Protection tube	Stainless steel 1.4571

Article numbers

Order code									
Type									
Resistance thermometer		W							
Diameter F1									
6 mm		06							
8 mm		08							
Material									
Stainless steel 1.4571			3						
Sensor element									
1 x Pt100 2-wire / Class B				P21					
1 x Pt100 3-wire / Class B				P31					
Immersion tube length L1									
50 mm					050				
100 mm					100				
150 mm					150				
200 mm					200				
Measuring insert									
Not interchangeable						0			
Interchangeable (only for 8 mm diameter)						2			
Electrical connection									
Angled plug type A							10		
Process connection d1									
G½								2	
M18 x 1.5								6	
M20 x 1.5								N	
G¾								3	
Options									
Type DNV									GL
Example order number									
	W	06	3	P21	050	0	10	2	GL