

Yamato

Dataweigh®

***α*^{PLUS} ALPHA PLUS series**

Versatile and Cost-Effective



Simple design and superb operation



Excellent Sanitation

All operating systems, including the radial feeders are totally enclosed to provide superior sanitation.

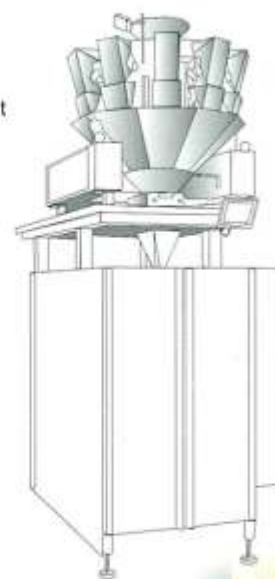
And, all product contact surfaces are removable without the use of tools.

Touch Screen Operator Interface

Liquid Crystal Touch Screen uses easy-to-understand graphics in a simple and straightforward way to make training quick and operating easy. And, the display can be viewed in any of 17 languages: English, German, French, Spanish, Italian, Dutch, Danish, Finnish, Swedish, Hungarian, Greek, Portuguese, Czech, Polish, Russian, Chinese and Japanese.



The ADW-510A weigher is compact enough to direct mount onto the packaging machine.



Yamato



Flexibility, High Speed, Economical

The Yamato Alpha Series weighers are available in three configurations: 10 head for speed up to 70 weightment per minute, 14 head for 120 weightment per minute, and 20 head for twin applications. Each represents an excellent combination of value and performance.

Drive System

The Alpha Series weighers use accurate and repeatable stepper motors for bucket door actuation. Motor patterns are adjustable and programmable to ensure the highest speed and efficiency for a wide variety of products.



Actuator Unit

Modular Actuator Unit

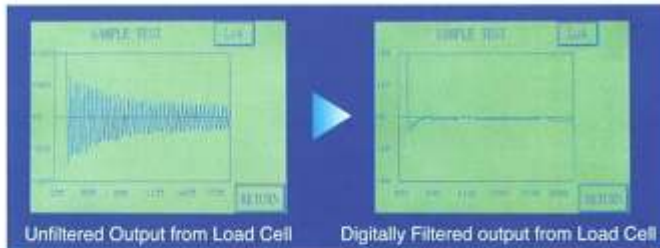
The modular Actuator Unit incorporates the high-performance Yamato Strain Gauge Load Cell with the stepper motor drive system. This modular design makes troubleshooting and maintenance easy and quick.

High Performance Weighing Accuracy

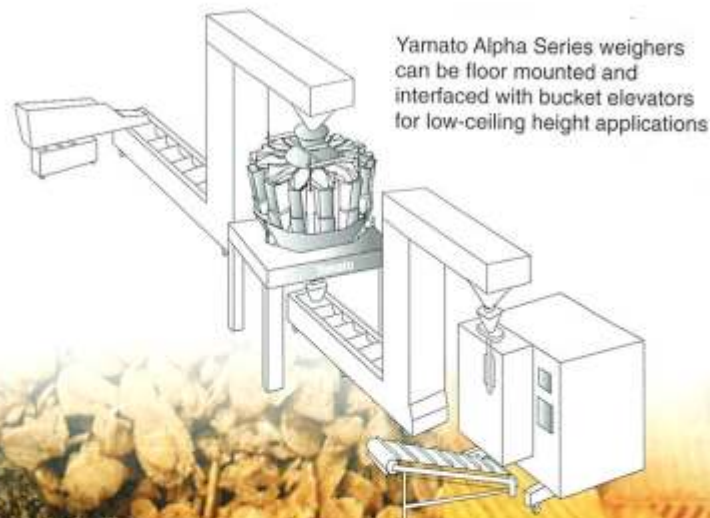
The Yamato Alpha Series weighers achieve the highest accuracy by combining Yamato's proprietary Strain Gauge Load Cells with Yamato's patented Digital Filtering that virtually eliminates the influence of external vibration.

Digital Filter

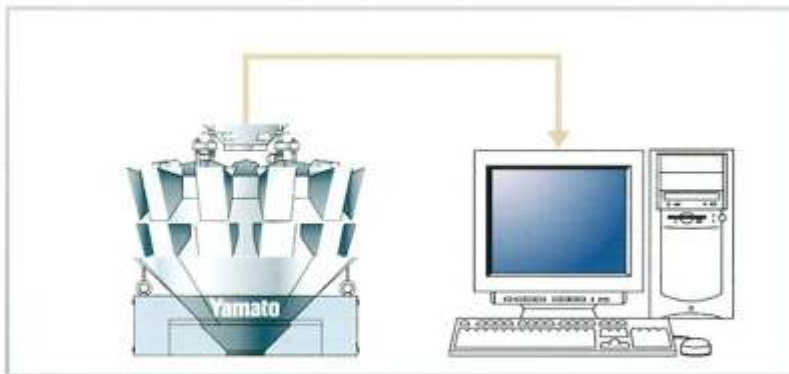
Yamato's Patented Digital filter reduces the influence of external vibration resulting in highly accurate weighments.



Yamato Patented Digital Filtering



Communication to PC through ArcNET and RS232C (Option)



Dataweigh Alpha Series

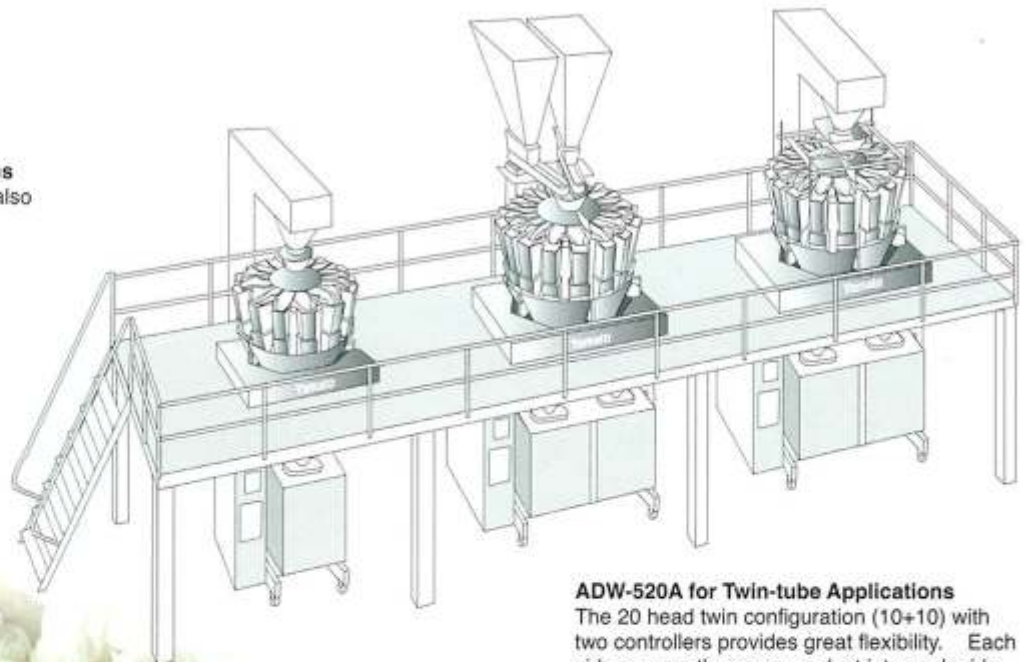
Self-diagnostics

All important system conditions, including voltages, input/output status, software versions, and analog/digital converter values can be monitored and diagnosed through the touch screen operator interface.

Maximum Up-time

Through the use of modular actuators, easy-to-use operator interface, self-diagnostics, and easy maintenance, the Yamato Alpha Series weighers provide maximum up-time for maximum return on investment.

**ADW-514A / 514AH for
Single Tube Applications**
Deck Mount (leg mount also
available)

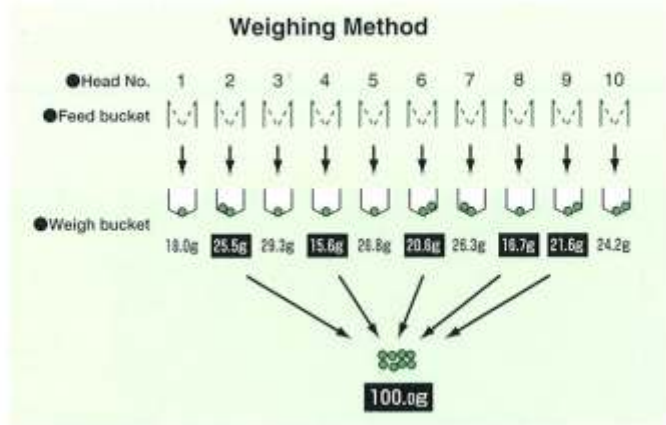


ADW-520A for Twin-tube Applications
The 20 head twin configuration (10+10) with two controllers provides great flexibility. Each side can run the same product into each side of a twin-tube bagger, different products into each side of a twin-tube bagger or even two product blends into one single-tube bagger.



Weighing Method

Using Strain Gauge Load Cells, the computer examines the weight in each weigh bucket. From those weights, the optimal combination to obtain the target weight is instantaneously selected and discharged. If a combination of 5 weigh buckets is selected out of 10 the number of possible combinations is 252. In the same way, if 4 out of 10, or 6 out of 10 are selected there are 210 possible combinations. The total available number of possible combinations then becomes 672 for each cycle.



Yamato Profile

Since 1922, Yamato has specialized in the science and application of load cells and weighing machines. Among our extensive range of applications is the Dataweigh family of multihead combination weighers which Yamato introduced more than 2 decades ago. In all aspects of providing our customers with superior products - R & D, Design, Production Quality Assurance and shipping - Yamato offers the best quality, support and service through our Global Yamato Network and all of our distributors. Yamato is ISO9001 certified.

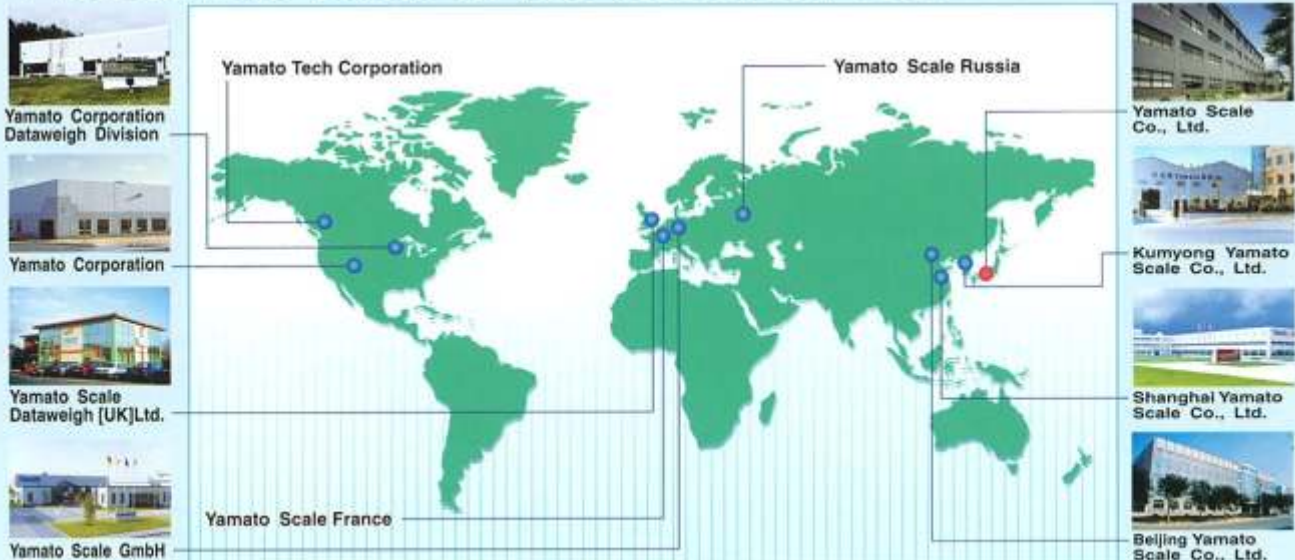


Control Research and Development



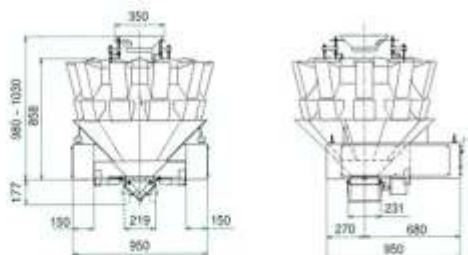
Dataweigh Final Assembly

Worldwide Sales & Service Network

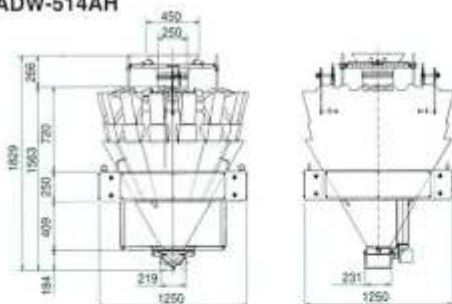


DIMENSIONS

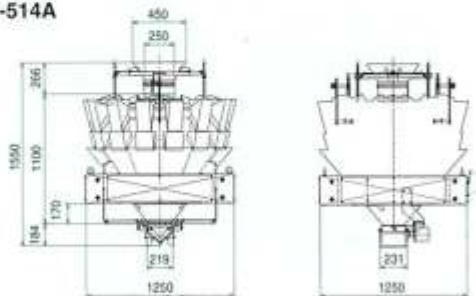
ADW-510A



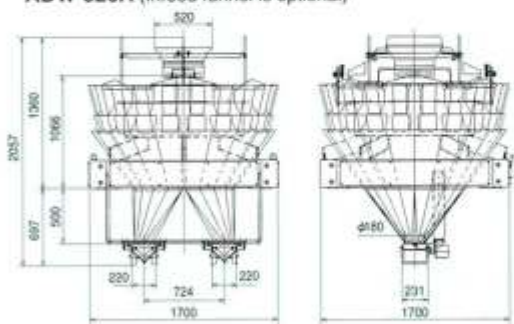
ADW-514AH



ADW-514A



ADW-520A (Infeed funnel is optional)



Collection bucket is optional.

SPECIFICATIONS

MODEL	ADW-510A	ADW-514A (514AH)	ADW-520A
No. of Weigh Head	10	14	20
Max. Speed	70 wpm	120 wpm (140 wpm)	70 x 2 wpm
Max. Combination Volume	3,000 ml		
Weighing Range	4 - 500 g / 8 - 1,000 g		
Min. Increment digit	0.1 g / 0.2 g		
Max. Product's Length	80 mm		
Main Dimensions	1,020(w) x 1,179(p) x 858(h)mm	1,250(w) x 1,250(p) x 1,100(h)mm	1,700(w) x 1,700(p) x 1,566(h)mm
Controller	RCU-900 Mono-tone, Liquid Crystal Touch Screen		
Hopper Actuator	Stepping Motor driven		
Power requirement	AC200/ 220/ 240V (+10 to -15%), 50/ 60 Hz, 1.0 - 3.0 kVA, 1 phase		
Air requirement	Not required.		
Standard attachment	Infeed Funnel	Infeed Funnel	---
Net Weight	370 kg	660 kg / 700 kg	820 kg

This machine is covered by one or more patents worldwide.

All illustrations and specifications are subject to change without notice and any drawing dimensions are not to scale and are approximate.

YAMATO SCALE CO., LTD.

5-22 Saenba-cho, Akashi, Japan 673-8688
 Telephone: +81(78)918-5566-5567-5568
 Telefax: +81(78)918-5552
 URL: <http://www.yamatoscale.co.jp/>
 E-mail: export@yamato-scale.co.jp



Yamato Scale GmbH

Hanns-Martin-Schleyer-Str. 13,
 D-47877 Willich, Germany
 Telephone: +49(0)2154 9159-10
 Telefax: +49(0)2154 40626
 URL: <http://www.yamatoscale.com/>
 E-mail: sales@yamatoscale.com

Yamato Scale France

Z.A. des Montatons, 30 rue Denis Papin
 91240 Saint-Michel sur Orge, France
 Telephone: +33(0)1 6972 1530
 Telefax: +33(0)1 6972 1534
 URL: <http://www.yamato.fr/>
 E-mail: Ventes@yamato.fr

Yamato Scale Dataweigh [UK] Ltd.

5 Maple Park, Lowfields Avenue, Leeds,
 LS12 6HH, England
 Telephone: +44(0)113 271 7999
 Telefax: +44(0)113 271 7012
 URL: <http://www.yamatoscale.co.uk/>
 E-mail: sales@yamatoscale.co.uk

Yamato Corporation Dataweigh Division

6306 W. Eastwood Court Mequon, WI 53092, U.S.A.
 Telephone: +1(262)236-0000
 Telefax: +1(262)236-0036
 URL: <http://www.yamatocorp.com/>
 E-mail: dataweigh@yamatocorp.com

Yamato Scale Russia

107140 Russia, Moscow
 Ul. Verkhnyaya Krasnoselskaya 3 / 1
 Telephone: +7(495)980-64-26
 Telefax: +7(495)980-64-27
 URL: <http://www.yamatoscale.ru/>
 E-mail: salesru@yamatoscale.com



This bulletin was printed with soy ink on 100% recycled paper.