

AUGER TORQUE EUROPE LTD

PRODUCT GUIDE - VOLUME 9



AUGERTORQUE

PRODUCT GUIDE - VOLUME 9



The Company

Auger Torque, a customer driven company based in Europe since 1998, has created a new standard in the Auger Attachment market. In May 2005 Auger Torque released onto the world market its new innovated product range of Earth Drills and Trencher Attachments.

Service and Support

Auger Torque product is available through a Distributor / Dealer network, therefore customers can be assured of local service and support.

World Wide Production

Auger Torque products are produced and distributed, worldwide, from manufacturing facilities situated in England, Australia and Asia.

Innovative Designs

Auger Torque products lead the field with innovative designs manufactured to the highest quality. Auger Torque provide maximum benefits to the customer for productivity and reduced maintenance, thus providing the ultimate solution in Earth Drills and Trenching Attachments.

Commitment

- Highest standard of quality and service.
- Competitive pricing
- Fast delivery times

Auger Torque display
at many world wide exhibitions
(Bauma 2010 below)



Index



Auger Attachments

Micro Excavators 750Kg to 1T.	5
Mini Excavators 1T to 5T.	6-7
Excavators 4.5T to 8T & Backhoes	8-9
Backhoes - Large Diameter & Deep Hole Drilling . . .	10-11
Excavators 8T to 20T.	12-13
Excavators 17T to 30T.	14-15
Skid Steer Loaders	16-17
Skid Steer Loaders - High Flow	18-19
Truck Cranes & Telehandlers	20-21
Auger Range	22
Replacement Auger Wear Parts	23

Trencher Attachments

Skid Steer Loaders & Mini Excavators 2.5T to 7T.	24
Backhoes, Skid Steer Loaders & Excavators 5T to 10T. . .	25
Replacement Trencher Wear Parts.	24-25

Stump Planer Attachments

Stump Planers	26
-------------------------	----

New Products Inside back cover

Auger Torque “Now You’re Talking”

Why are so many Dealers and Operators changing to Auger Torque?

Auger Torque have the staff that know the industry, the products they sell and give the service you expect.

Cradle Hitches (Optional for Excavators and Backhoes)

Full Control - **No Swing** - Easy Loading

Hoods

Heavy Duty Ears - Locked Hood Pin

Earth Drills with Non Dislodgement Shaft

Look for **NDS** throughout the product guide.
Prevents output shaft dislodgement.

Augers

Shallow pitch flights for more effective soil removal.



**DON'T LEAVE YOUR
TEETH DOWN
THE HOLE!**

Shock Lock™
Patent
Applied

Shock Lock™

Don't leave “your” teeth down the hole

- The Shock Lock™ system is unique to Auger Torque
- Shock Lock™ has a “Shock” Absorbing Element which increases the life of Tungsten Teeth
- A solid pin “Lock” system prevents the loss of teeth but also allows for fast replacement in the field

Auger Torque - Your Best Option - Start Talking - We Listen



AUGERTORQUE

PRODUCT GUIDE - VOLUME 9



Micro Excavators 750Kg to 1T

Micro Excavators 750Kg to 1T
Drilling Diameter 100 to 300mm
S1/S2 Auger Range

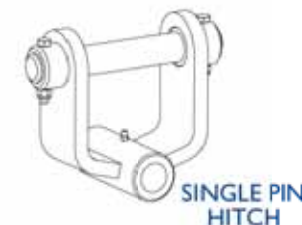
1,200 Earth Drill

Earth Drill Model	1,200
Part Number	21 - 10100
Excavator Machine Weight	750kg to 1T
Torque	1,189 Nm
Pressure	185 Bar
Oil Flow Range	15 to 32 l/m
Hydraulic Hoses / QRCs	1/2" BSP
Output Shaft (STD)	External 50mm Round (S2) Internal to suit STIHL (S1)
Unit Weight	35kg
Unit Height	450mm
Unit Diameter	160mm
Auger Series	S2 (option S1)
Length	900mm
Auger Diameter Range	100-300mm



Mounting Hitch Options

Pin Size	Single Pin Part Number
25mm	11-302500-1200
30mm	11-303000-1200



Hydraulic Hoses are supplied but not shown



S2 AUGERS
50MM ROUND

S1 AUGERS
TO SUIT STIHL

DON'T LEAVE YOUR TEETH DOWN THE HOLE! Shock Lock™ Patent Applied

- The Shock Lock™ system is unique to Auger Torque.
- Shock Lock™ has a "Shock" Absorbing Element which increases the life of Tungsten Teeth
- A solid pin "Lock" system prevents the loss of Teeth but also allows for fast replacement in the field

S1 Auger Range - STIHL Drive (Length 900mm) for 1,200 Earth Drill

Earth and Clay Drilling (Complete with Earth Teeth and Earth Pilot)

Diameter	100mm	150mm	200mm	225mm	250mm	300mm
Part Number	30-10101000	30-10151000	30-10201000	30-10231000	30-10251000	30-10301000

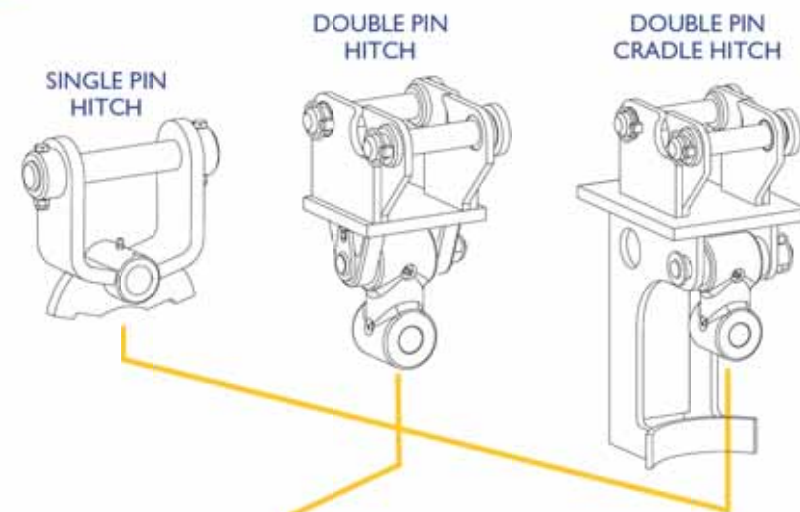
S2 Auger Range - 50mm Round Drive (Length 900mm) for 1,200 Earth Drill

Earth and Clay Drilling (Complete with Earth Teeth and Earth Pilot)

Diameter	100mm	150mm	200mm	225mm	250mm	300mm
Part Number	30-20101100	30-20151100	30-20201100	30-20231100	30-20251100	30-20301100

Mini Excavators 1T to 5T

Earth Drill Models	X2,000	X2,500	3,000 MAX	3,500 MAX	4,500 MAX
Part Number	21-20100	21-20200	21-33200	21-33300	21-33500
Excavator Machine Weight	1T to 2.5T	1.5 to 3T	2T to 4.5T	2.5T to 4.5T	3T to 5T
Torque	1,886 Nm	2,452 Nm	2,900 Nm	3,643 Nm	4,535 Nm
Pressure	205 Bar	205 Bar	240 Bar	240 Bar	240 Bar
Oil Flow Range	25 to 57 l/m	27 to 65 l/m	27 to 75 l/m	40 to 75 l/m	50 to 95 l/m
Hydraulic Hoses	1/2" BSP	1/2" BSP	1/2" BSP	1/2" BSP	1/2" BSP
Output Shaft (STD)	65mm Rnd	65mm Rnd	65mm Rnd	65mm Rnd	65mm Rnd
Output Shaft (Optional)	2" Hex	2" Hex	2" Hex	2" Hex	2" Hex
Unit Weight	54kg	54kg	71kg	71kg	71kg
Unit Height	595mm	595mm	700mm	700mm	700mm
Unit Diameter	200mm	200mm	238mm	238mm	238mm
Auger Series	S4	S4	S4	S4	S4
Length	1.2M	1.2M	1.2M	1.2M	1.2M
Auger Diameter Range	100-400mm	100-500mm	100-600mm	100-750mm	100-900mm



Cut away view of 3000 MAX Earth Drill



UNIQUE FEATURE Non Dislodgement Shaft

Mini Excavator 1T to 2.5T
Drilling Diameter
 100 to 400mm

X2,000
Earth Drill

Mini Excavator 1.5T to 3T
Drilling Diameter
 100 to 500mm

X2,500
Earth Drill

Mini Excavator 2T to 4.5T
Drilling Diameter
 100 to 600mm

3,000 MAX
Earth Drill

Mini Excavator 2.5T to 4.5T
Drilling Diameter
 100 to 750mm

3,500 MAX
Earth Drill

Mini Excavator 3T to 5T
Drilling Diameter
 100 to 900mm

4,500 MAX
Earth Drill



Mounting Hitch Options

Pin Size	Single Pin Part Number	Double Pin Part Number	Double Pin Cradle Part Number
25mm	11-302500	12-302500	13-302500
30mm	11-303000	12-303000	13-303000
32mm	11-303200	12-303200	13-303200
35mm	11-303500	12-303500	13-303500
38mm	11-303800	12-303800	13-303800
40mm	11-304000	12-304000	13-304000

S4 Extension Shafts - 65mm Round Drive

Length	500mm	800mm	1M
Part Number	31-4050200	31-4080200	31-4100200

S4 Earth Tooth
 Part No 33-9101

S4 Earth Pilot
 Part No 33-9203

S4 Pilot Extension
 Part No 33-4106

S4 Tungsten Tooth
 Part No 33-9104

S4 Tungsten Pilot
 Part No 33-9204

S4 Extra Dig Pilot
 Part No 33-9212



S4 Auger Range - 65mm Round Drive (Length 1.2M) for X2,000 - X2,500 - 2,500 - 3,000 MAX - 3,500 MAX - 4,500 MAX Earth Drills

Earth and Clay Drilling (Complete with Earth Teeth and Earth Pilot)

Diameter	100mm	150mm	200mm	225mm	250mm	300mm	350mm	400mm	450mm	500mm	600mm	750mm	900mm
Part Number	30-40101200	30-40151200	30-40201200	30-40231200	30-40251200	30-40301200	30-40351200	30-40401200	30-40451200	30-40501200	30-40601200	30-40751200	30-40901200

Abrasive Drilling (Complete with Tungsten Teeth and Tungsten Pilot)

Diameter	100m	150mm	200mm	225mm	250mm	300mm	350mm	400mm	450mm	500mm	600mm	750mm	900mm
Part Number	30-40105200	30-40155200	30-40205200	30-40235200	30-40255200	30-40305200	30-40355200	30-40405200	30-40455200	30-40505200	30-40605200	30-40755200	30-40905200

Hard/Abrasive Drilling (Complete with Tungsten Teeth and Extra Dig Pilot)

Diameter	100m	150mm	200mm	225mm	250mm	300mm	350mm	400mm	450mm	500mm	600mm	750mm	900mm
Part Number	30-40106200	30-40156200	30-40206200	30-40236200	30-40256200	30-40306200	30-40356200	30-40406200	30-40456200	30-40506200	30-40606200	30-40756200	30-40906200

Excavators 4.5T to 8T and Backhoes

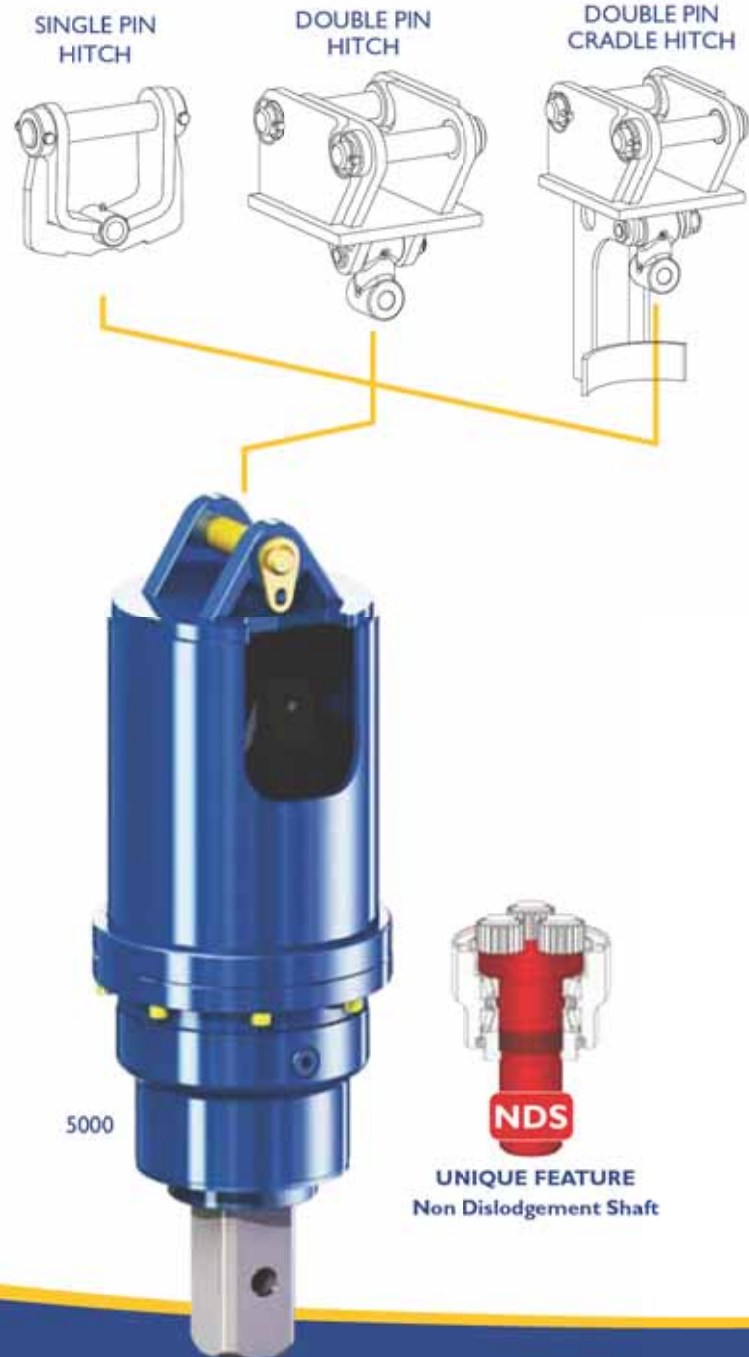
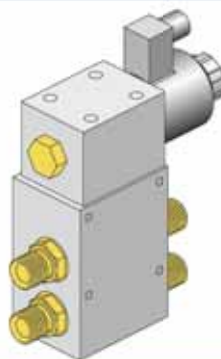
Earth Drill Models	5,000	7,000	7,000MAX	8,000MAX
Part Number	21-34201	21-34400	21-35400	21-35500
Excavator Machine Weight	4.5 to 7T	5 to 7T	5 to 7T	6 to 8T
Backhoe	✗	✗	✓	✓
Torque	5,100 Nm	6,878 Nm	6,991 Nm	8,223 Nm
Pressure	240 Bar	260 Bar	260 Bar	240 Bar
Oil Flow Range	40 to 75 l/m	50 to 115 l/m	60 to 135 l/m	70 to 150 l/m
Hydraulic Hoses	1/2" BSP	1/2" BSP	3/4" BSP	3/4" BSP
Output Shaft	75mm Sq	75mm Sq	75mm Sq	75mm Sq
Unit Weight	108 Kg	110 Kg	112 Kg	115 Kg
Unit Height	780mm	780mm	780mm	780mm
Unit Diameter	269mm	269mm	269mm	269mm
Auger Series	S5 75mm Sq	S5 75mm Sq	S5 75mm Sq	S5 75mm Sq
Auger Length	1.2m	1.2m	1.2m	1.2m
Auger Diameter Range	150 to 600mm	150 to 800mm	150 to 800mm	150 to 900mm

OPTIONAL VALVE KIT

2-Way Valve

"Unable to reverse your auger?"

Convert your single acting hammer circuit to 2 way flow with an Auger Torque 2-Way Flow Valve.



Excavator 4.5T to 7T
Drilling Diameter
150 to 600mm

5,000
Earth Drill

Excavator/Backhoe 5T to 7T
Drilling Diameter
150 to 800mm

7,000
Earth Drill

Backhoe 5T to 7T
Drilling Diameter
150 to 800mm

7,000 MAX
Earth Drill

Backhoe 6T to 8T
Drilling Diameter
150 to 900mm

8,000 MAX
Earth Drill



Mounting Hitch Options

Pin Size	Single Pin Part Number	Double Pin Part Number	Double Pin Cradle Part Number
40mm	11-304000-5/7	12-304000-5/7	13-304000-5/7
1.75"	11-304400	12-304400	13-304400
45mm	11-304500	12-304500	13-304500
50mm	11-305000	12-305000	13-305000

S5 Extension Shafts - 75mm Square Drive

Length	1M	1.5M	2M
Part Number	31-5100600	31-5150600	31-5200600

S5 / S6 Earth Tooth
 Part Number 33-9105



S5 / S6 Earth Pilot
 Part Number 33-9205



S5 / S6 Rock Tooth
 Part Number 33-9107



S5 / S6 150mm Rock Pilot
 Part Number 33-9210



S5 / S6 Tungsten Tooth
 Part Number 33-9106



S5 / S6 Tungsten Pilot
 Part Number 33-9206



S5 / S6 Rock Pilot
 Part Number 33-9207



S5 Auger Range - 75mm Square Drive (Length 1.2M) for 5,000 - 7,000 - 7,000 MAX - 8,000 MAX Earth Drills

Earth and Clay Drilling (Complete with Earth Teeth and Earth Pilot)

Diameter	150mm	200mm	225mm	250mm	300mm	350mm	400mm	450mm	500mm	600mm	750mm	800mm	900mm
Part Number	30-50151600	30-50201600	30-50231600	30-50251600	30-50301600	30-50351600	30-50401600	30-50451600	30-50501600	30-50601600	30-50751600	30-50801600	30-50901600

Abrasive Drilling (Complete with Tungsten Teeth and Tungsten Pilot)

Diameter	150mm	200mm	225mm	250mm	300mm	350mm	400mm	450mm	500mm	600mm	750mm	800mm	900mm
Part Number	N/A	30-50205600	30-50235600	30-50255600	30-50305600	30-50355600	30-50405600	30-50455600	30-50505600	30-50605600	30-50755600	30-50805600	30-50905600

Soft Rock / Abrasive Drilling (Complete with Rock Teeth and Rock Pilot)

Diameter	150mm	200mm	225mm	250mm	300mm	350mm	400mm	450mm	500mm	600mm	750mm	800mm	900mm
Part Number	30-50156600	30-50206600	30-50236600	30-50256600	30-50306600	30-50356600	30-50406600	30-50456600	30-50506600	30-50606600	30-50756600	30-50806600	30-50906600

Backhoes

Large Diameter & Deep Hole Drilling

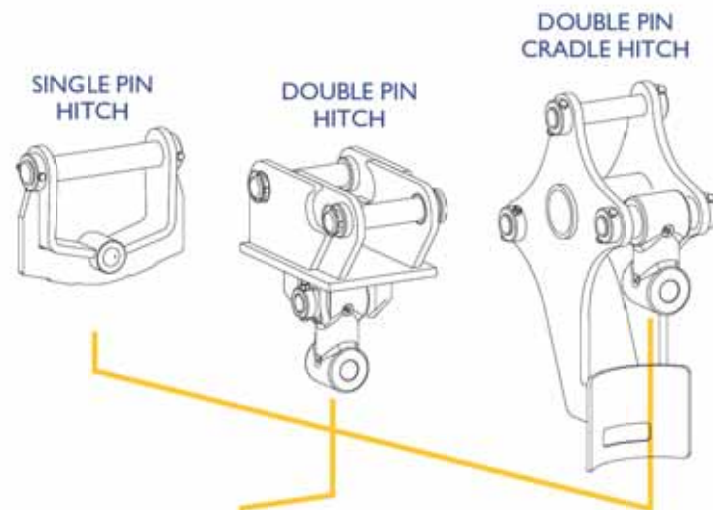
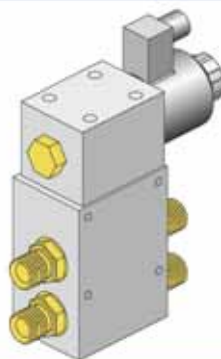
Earth Drill Model	10,000	12,000	15,000
Part Number	21 - 40100	21 - 40200	21-40600
Excavator Machine	Backhoe	Backhoe	Backhoe
Torque	9,913 Nm	12,081 Nm	15,179 Nm
Pressure	240 Bar	240 Bar	240 Bar
Oil Flow Range	60 to 150 l/m	70 to 150 l/m	80 to 150 l/m
Hydraulic Hoses	3/4" BSP	3/4" BSP	3/4" BSP
Output Shaft (STD)	75mm Sq	75mm Sq	75mm Sq
Output Shaft (Optional)	70mm Hex	70mm Hex	70mm Hex
Unit Weight	162kg	162kg	162kg
Unit Height	930mm	930mm	930mm
Unit Diameter	290mm	290mm	290mm
Auger Series	S6	S6	S6
Length	1.6M	1.6M	1.6M
Auger Diameter Range (Standard Drilling Depths)	150 - 900mm	150mm - 1M	150mm - 1.2M

OPTIONAL VALVE KIT

2-Way Valve

"Unable to reverse your auger?"

Convert your single acting hammer circuit to 2 way flow with an Auger Torque 2-Way Flow Valve.



12,000
Earth Drill



UNIQUE FEATURE
Non Dislodgement Shaft

**Backhoe
Drilling Diameter
150 to 900mm**

10,000 Earth Drill

**Backhoe
Drilling Diameter
150mm to 1M**

12,000 Earth Drill

**Backhoe
Drilling Diameter
150mm to 1.2M**

15,000 Earth Drill



Mounting Hitch Options

Pin Size	Single Pin	Double Pin	Double Pin Cradle
	Part Number	Part Number	Part Number
1.75"	11-454400	12-454400	13-454400
45mm	11-454500	12-454500	13-454500
50mm	11-455000	12-455000	13-455000
55mm	11-455500	12-455500	13-455500
60mm	11-456000	12-456000	13-456000

S6 Extension Shafts - 75mm Square Drive

Length	1.5M	2M	3M
	Part Number	Part Number	Part Number
1.5M	31-6150600	31-6200600	31-6300600

S5 / S6 Earth Tooth
Part Number 33-9105

S5 / S6 Earth Pilot
Part Number 33-9205

S5 / S6 Rock Tooth
Part Number 33-9107

S5 / S6 150mm Rock Pilot
Part Number 33-9210

S5 / S6 Tungsten Tooth
Part Number 33-9106

S5 / S6 Tungsten Pilot
Part Number 33-9206

S5 / S6 Rock Pilot
Part Number 33-9207

S6 Auger Range - 75mm Square Drive (Length 1.6M) for 10,000 - 12,000 - 15,000 Earth Drills

Earth and Clay Drilling (Complete with Earth Teeth and Earth Pilot)

Dia	150mm	200mm	225mm	250mm	300mm	350mm	400mm	450mm	500mm	600mm	750mm	800mm	900mm	1M	1.2M
P/N	30-60151600	30-60201600	30-60231600	30-60251600	30-60301600	30-60351600	30-60401600	30-60451600	30-60501600	30-60601600	30-60751600	30-60801600	30-60901600	30-61001600	30-61201600

Abrasive Drilling (Complete with Tungsten Teeth and Tungsten Pilot)

Dia	150mm	200mm	225mm	250mm	300mm	350mm	400mm	450mm	500mm	600mm	750mm	800mm	900mm	1M	1.2M
P/N	N/A	30-60205600	30-60235600	30-60255600	30-60305600	30-60355600	30-60405600	30-60455600	30-60505600	30-60605600	30-60755600	30-60805600	30-60905600	30-61005600	30-61205600

Soft Rock / Abrasive Drilling (Complete with Rock Teeth and Rock Pilot)

Dia	150mm	200mm	225mm	250mm	300mm	350mm	400mm	450mm	500mm	600mm	750mm	800mm	900mm	1M	1.2M
P/N	30-60156600	30-60206600	30-60236600	30-60256600	30-60306600	30-60356600	30-60406600	30-60456600	30-60506600	30-60606600	30-60756600	30-60806600	30-60906600	30-61006600	30-61206600

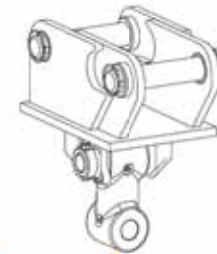
Excavators 8T to 20T

Earth Drill Models	12,000 MAX	15,000 MAX	20,000 MAX
Part Number	21 - 40700	21 - 40400	21 - 40800
Excavator Machine Weight	8T to 15T	10 to 17T	13T to 20T
Torque	12,081 Nm	15,741 Nm	20,652 Nm
Pressure	240 Bar	240 Bar	240 Bar
PRV Optional	Optional	Optional	Optional
Oil Flow Range	60 to 170 l/m	70 to 170 l/m	80 to 170 l/m
Hydraulic Hoses	SUPPLIED ON REQUEST AT EXTRA COST		
Output Shaft (STD)	75mm Sq	75mm Sq	75mm Sq
Unit Weight	167kg	167kg	185kg
Unit Height	930mm	930mm	930mm
Unit Diameter	290mm	290mm	290mm
Auger Series	S6	S6	S6
Length	1.6M	1.6M	1.6M
Auger Diameter Range	150mm-1M	150mm-1.2M	150mm-1.2M

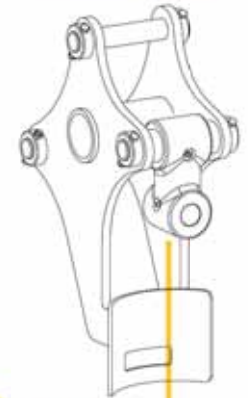
SINGLE PIN HITCH



DOUBLE PIN HITCH



DOUBLE PIN CRADLE HITCH



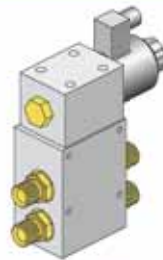
15,000 MAX
Shown with
Optional PRV

OPTIONAL VALVE KITS



Pressure Relief Valve

Model	Part Number
12,000 MAX	Part No 25-4615
15,000 MAX	Part No 25-4615
20,000 MAX	Part No 25-4615



2-Way Valve

"Unable to reverse your auger?"

Convert your single acting hammer circuit to 2 way flow with an Auger Torque 2-Way Flow Valve.



UNIQUE FEATURE
Non Dislodgement Shaft

**Excavators 8T to 15T
Drilling Diameter
150mm to 1M**

**12,000 MAX
Earth Drill**

**Excavators 10T to 17T
Drilling Diameter
150mm to 1.2M**

**15,000 MAX
Earth Drill**

**Excavators 13T to 20T
Drilling Diameter
150mm to 1.2M**

**20,000 MAX
Earth Drill**



Mounting Hitch Options

Pin Size Number	Single Pin Part Number	Double Pin Part Number	Double Pin Cradle Part
1.75"	11-454400	12-454400	13-454400
45mm	11-454500	12-454500	13-454500
50mm	11-455000	12-455000	13-455000
55mm	11-455500	12-455500	13-455500
60mm	11-456000	12-456000	13-456000
65mm		12-456500	13-456500
70mm		12-457000	13-457000
80mm		12-458000	13-458000

S6 Extension Shafts - 75mm Square Drive

Length	1.5M	2M	3M
Part Number	31-6150600	31-6200600	31-6300600

S5 / S6 Earth Tooth
Part Number 33-9105



S5 / S6 Earth Pilot
Part Number 33-9205



S5 / S6 Rock Tooth
Part Number 33-9107



S5 / S6 150mm Rock Pilot
Part Number 33-9210



S5 / S6 Tungsten Tooth
Part Number 33-9106



S5 / S6 Tungsten Pilot
Part Number 33-9206



S5 / S6 Rock Pilot
Part Number 33-9207



S6 Auger Range - 75mm Square Drive (Length 1.6M) for 12,000 MAX - 15,000 MAX - 20,000 MAX Earth Drills

Earth and Clay Drilling (Complete with Earth Teeth and Earth Pilot)

Dia	150mm	200mm	225mm	250mm	300mm	350mm	400mm	450mm	500mm	600mm	750mm	800mm	900mm	1M	1.2M
P/N	30-60151600	30-60201600	30-60231600	30-60251600	30-60301600	30-60351600	30-60401600	30-60451600	30-60501600	30-60601600	30-60751600	30-60801600	30-60901600	30-61001600	30-61201600

Abrasive Drilling (Complete with Tungsten Teeth and Tungsten Pilot)

Dia	150mm	200mm	225mm	250mm	300mm	350mm	400mm	450mm	500mm	600mm	750mm	800mm	900mm	1M	1.2M
P/N	N/A	30-60205600	30-60235600	30-60255600	30-60305600	30-60355600	30-60405600	30-60455600	30-60505600	30-60605600	30-60755600	30-60805600	30-60905600	30-61005600	30-61205600

Soft Rock / Abrasive Drilling (Complete with Rock Teeth and Rock Pilot)

Dia	150mm	200mm	225mm	250mm	300mm	350mm	400mm	450mm	500mm	600mm	750mm	800mm	900mm	1M	1.2M
P/N	30-60156600	30-60206600	30-60236600	30-60256600	30-60306600	30-60356600	30-60406600	30-60456600	30-60506600	30-60606600	30-60756600	30-60806600	30-60906600	30-61006600	30-61206600

Excavators 17T to 30T

Earth Drill Models	30,000	30,000 MAX	40,000	50,000 MAX
Part Number	21 - 50200	21 - 50500	21-50300	21 - 50400
Excavator Machine Weight	17T to 22T	20T to 30T	17T to 30T	22T to 30T
Torque	26,847 Nm	32,269 Nm	37,948 Nm	50,195 Nm
Pressure	240 Bar	450 Bar	210 Bar	280 Bar
PRV Optional	Optional	N/A	Optional	N/A
Oil Flow Range	70 to 170 l/m	100 to 300 l/m	80 to 170 l/m	100 to 280 l/m
Hydraulic Hoses	SUPPLIED ON REQUEST AT EXTRA COST			
Output Shaft (STD)	110mm Sq	110mm Sq	110mm Sq	110mm Sq
Unit Weight	374kg	460kg	440kg	465kg
Unit Height	1290mm	1610mm	1390mm	1630mm
Unit Diameter	410mm	410mm	410mm	410mm
Auger Series	PA	PA	Recommended for screw anchor installations	PA
Lengths	2M & 3M	2M & 3M		2M & 3M
Auger Diameter Range	300mm-1M	300mm-1.2M		300mm-1.5M

OPTIONAL VALVE KITS

Pressure Relief Valve

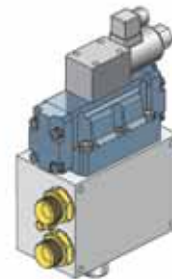
Model	Part Number
30,000	Part No 25-4615
40,000	Part No 25-4615



2Way Valve

"Unable to reverse your auger?"

Convert your single acting hammer circuit to 2 way flow with an Auger Torque 2-Way Flow Valve.



Excavator 17T to 22T
Drilling Diameter
300mm to 1M

**30,000
Earth Drill**

Excavator 20T to 25T
Drilling Diameter
300mm to 1.2M

**30,000 MAX
Earth Drill**

Excavator 17T to 30T
Drilling Diameter
300mm to 1.2M

**40,000
Earth Drill**

Excavator 22T to 30T
Drilling Diameter
300mm to 1.5M

**50,000 MAX
Earth Drill**



Mounting Hitch Options

Pin Size	}	Adapter Plate 30000 / 30000 MAX
60mm		Adapter Plate 50000 MAX
65mm		Double Pin Cradle
70mm		
80mm		

PA Extension Shafts - 110mm Square Drive

Length	2M	3M
Part Number	31-720T700	31-730T700

Telescopic
Extension

Fixed Length
Extension

Length	2M	3M
Part Number	31-7200700	31-7300700

PA Earth Tooth
Part Number 33-9108



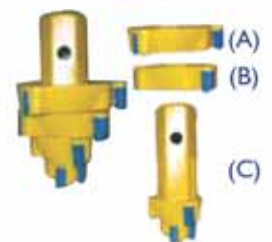
PA Earth Pilot
Part Number 33-9208



PA Rock Tooth
Part Number 33-9109



PA Rock Pilot
Part Number 33-9209



PA Auger Range - 110mm Square Drive (Length 2M) for 30,000 - 30,000 MAX - 50,000 MAX Earth Drills

Earth and Clay Drilling (Complete with Earth Teeth and Earth Pilot)

Diameter	300mm	350mm	400mm	450mm	500mm	600mm	750mm	800mm	900mm	1M	1.2M	1.5M
Part Number	30-70302700	30-70352700	30-70402700	30-70452700	30-70502700	30-70602700	30-70752700	30-70802700	30-70902700	30-71002700	30-71202700	30-71502700

Soft Rock / Abrasive Drilling (Complete with Rock Teeth and Rock Pilot)

Diameter	300mm	350mm	400mm	450mm	500mm	600mm	750mm	800mm	900mm	1M	1.2M	1.5M
Part Number	30-70306700	30-70356700	30-70406700	30-70456700	30-70506700	30-70606700	30-70756700	30-70806700	30-70906700	30-71006700	30-71206700	30-71506700

PA Auger Range - 110mm Square Drive (Length 3M) for 30,000 - 30,000 MAX - 50,000 MAX Earth Drills

Earth and Clay Drilling (Complete with Earth Teeth and Earth Pilot)

Diameter	300mm	350mm	400mm	450mm	500mm	600mm	750mm	800mm	900mm	1M	1.2M
Part Number	30-80302700	30-80352700	30-80402700	30-80452700	30-80502700	30-80602700	30-80752700	30-80802700	30-80902700	30-81002700	30-81202700

Soft Rock / Abrasive Drilling (Complete with Rock Teeth and Rock Pilot)

Diameter	300mm	350mm	400mm	450mm	500mm	600mm	750mm	800mm	900mm	1M	1.2M
Part Number	30-80306700	30-80356700	30-80406700	30-80456700	30-80506700	30-80606700	30-80756700	30-80806700	30-80906700	30-81006700	30-81206700

Skid Steer Loaders

Earth Drill Model	3,000 MAX	3,500 MAX	4,500 MAX
Part Number	21-33200	21-33300	21-33500
Skid Steer Loader	Up to 65 l/m	Up to 75 l/m	Up to 95 l/m
Torque	2,900 Nm	3,643 Nm	4,535Nm
Pressure	240 Bar	240 Bar	240 Bar
Oil Flow Range	27 to 65 l/m	40 to 75 l/m	50 to 95 l/m
Hydraulic Hoses	1/2" BSP	1/2" BSP	1/2" BSP
Output Shaft (STD)	65mm Rnd	65mm Rnd	65mm Rnd
Output Shaft (Optional)	2" Hex	2" Hex	2" Hex
Unit Weight	71kg	71kg	71kg
Unit Height	700mm	700mm	700mm
Unit Diameter	238mm	238mm	238mm
Auger Series	S4	S4	S4
Length	1.2M	1.2M	1.2M
Auger Diameter Range	100-600mm	100-750mm	100-900mm

See pages 24 to 27 for more Skid Steer Attachments

UNIVERSAL FIXED CENTRE
MOUNTING FRAME
PART NO: 19-9014



UNIQUE FEATURE
Non Dislodgement Shaft

UNIVERSAL SIDE SHIFT
MOUNTING FRAME
PART NO: 19-9033



EARTH DRILL SHOWN WITH
SIDE SHIFT MOUNTING FRAME

Skid Steer Loaders Up to 65 l/m
Drilling Diameter
100 to 600mm

3,000 MAX Earth Drill



Skid Steer Loaders Up to 75 l/m
Drilling Diameter
100 to 750mm

3,500 MAX Earth Drill



Skid Steer Loaders Up to 95 l/m
Drilling Diameter
100 to 900mm

4,500 MAX Earth Drill



Mounting Frame Options

Fixed Centre Mount Part Number
3,000 MAX - 3,500 MAX - 4,500 MAX 19-9014

Side Shift Mount Part Number
3,000 MAX - 3,500 MAX - 4,500 MAX 19-9033

S4 Extension Shafts - 65mm Round Drive

Length	500mm	800mm	IM
Part Number	31-4050200	31-4080200	31-4100200

S4 Earth Tooth
Part No 33-9101

S4 Earth Pilot
Part No 33-9203

S4 Pilot Extension
Part No 33-4106

Solid Locking Pin



S4 Tungsten Tooth
Part No 33-9104

S4 Tungsten Pilot
Part No 33-9204

S4 Extra Dig Pilot
Part No 33-9212

Shock Absorbing Element



S4 Auger Range - 65mm Round Drive (Length 1.2M) for 3,000 MAX - 3,500 MAX - 4,500 MAX Earth Drills

Earth and Clay Drilling (Complete with Earth Teeth and Earth Pilot)

Diameter	100mm	150mm	200mm	225mm	250mm	300mm	350mm	400mm	450mm	500mm	600mm	750mm	900mm
Part Number	30-40101200	30-40151200	30-40201200	30-40231200	30-40251200	30-40301200	30-40351200	30-40401200	30-40451200	30-40501200	30-40601200	30-40751200	30-40901200

Abrasive Drilling (Complete with Tungsten Teeth and Tungsten Pilot)

Diameter	100m	150mm	200mm	225mm	250mm	300mm	350mm	400mm	450mm	500mm	600mm	750mm	900mm
Part Number	30-40105200	30-40155200	30-40205200	30-40235200	30-40255200	30-40305200	30-40355200	30-40405200	30-40455200	30-40505200	30-40605200	30-40755200	30-40905200

Hard/Abrasive Drilling (Complete with Tungsten Teeth and Extra Dig Pilot)

Diameter	100m	150mm	200mm	225mm	250mm	300mm	350mm	400mm	450mm	500mm	600mm	750mm	900mm
Part Number	30-40106200	30-40156200	30-40206200	30-40236200	30-40256200	30-40306200	30-40356200	30-40406200	30-40456200	30-40506200	30-40606200	30-40756200	30-40906200

Skid Steer Loaders - High Flow

Earth Drill Models	5,500MAX	7,000	7,000MAX	8,000MAX
Part Number	21-34300	21-34400	21-35400	21-35500
Skid Steer Loader	to 95 l/m	to 115 l/m	135 l/m	150 l/m
Torque	5,525 Nm	6,878 Nm	6,991 Nm	8,223 Nm
Pressure	260 Bar	260 Bar	260 Bar	240 Bar
Oil Flow Range	40 to 95 l/m	50 to 115 l/m	60 to 135 l/m	70 to 150 l/m
Hydraulic Hoses	1/2" BSP	1/2" BSP	3/4" BSP	3/4" BSP
Output Shaft	75mm Sq	75mm Sq	75mm Sq	75mm Sq
Unit Weight	108 Kg	110 Kg	112 Kg	115 Kg
Unit Height	780mm	780mm	780mm	780mm
Unit Diameter	269mm	269mm	269mm	269mm
Auger Series	S5 75mm Sq	S5 75mm Sq	S5 75mm Sq	S5 75mm Sq
Auger Length	1.2m	1.2m	1.2m	1.2m
Auger Diameter Range	150 to 600mm	150 to 800mm	150 to 800mm	150 to 900mm

UNIVERSAL FIXED CENTRE MOUNTING FRAME
PART NO: 19-9014



UNIQUE FEATURE
Non Dislodgement Shaft

UNIVERSAL SIDE SHIFT MOUNTING FRAME
PART NO: 19-9033



EARTH DRILL SHOWN WITH
SIDE SHIFT MOUNTING FRAME

See pages 24 to 27 for more Skid Steer Attachments

Skid Steer Loaders
Up to 95 l/m
Drilling Diameter
150 to 600mm

5,500 MAX Earth Drill

Skid Steer Loaders
Up to 114 l/m
Drilling Diameter
150 to 800mm

7,000 Earth Drill

Skid Steer Loaders
Up to 135 l/m
Drilling Diameter
150 to 800mm

7,000 MAX Earth Drill

Skid Steer Loaders
Up to 150 l/m
Drilling Diameter
150 to 900mm

8,000 MAX Earth Drill

**SEE ALSO TRENCHER AND
STUMP PLANER ATTACHMENTS**



Mounting Frame Options

Fixed Centre Mount
5500 MAX - 7000 - 7000 MAX - 8,000 MAX Part Number 19-9014

Side Shift Mount
5500 MAX - 7000 - 7000 MAX - 8,000 MAX Part Number 19-9033

S5 Extension Shafts - 75mm Square Drive

Length	1M	1.5M	2M
Part Number	31-5100600	31-5150600	31-5200600

S5 / S6 Earth Tooth
Part Number 33-9105

S5 / S6 Earth Pilot
Part Number 33-9205

S5 / S6 Rock Tooth
Part Number 33-9107

S5 / S6 150mm Rock Pilot
Part Number 33-9210

Patent Applied Shock Lock™

S5 / S6 Tungsten Tooth
Part Number 33-9106

S5 / S6 Tungsten Pilot
Part Number 33-9206

S5 / S6 Rock Pilot
Part Number 33-9207

S5 Auger Range - 75mm Square Drive (Length 1.2M) for 5,500 MAX - 7,000 - 7,000 MAX - 8,000 MAX Earth Drills

Earth and Clay Drilling (Complete with Earth Teeth and Earth Pilot)

Diameter	150mm	200mm	225mm	250mm	300mm	350mm	400mm	450mm	500mm	600mm	750mm	800mm	900mm
Part Number	30-50151600	30-50201600	30-50231600	30-50251600	30-50301600	30-50351600	30-50401600	30-50451600	30-50501600	30-50601600	30-50751600	30-50801600	30-50901600

Abrasive Drilling (Complete with Tungsten Teeth and Tungsten Pilot)

Diameter	150mm	200mm	225mm	250mm	300mm	350mm	400mm	450mm	500mm	600mm	750mm	800mm	900mm
Part Number	N/A	30-50205600	30-50235600	30-50255600	30-50305600	30-50355600	30-50405600	30-50455600	30-50505600	30-50605600	30-50755600	30-50805600	30-50905600

Soft Rock / Abrasive Drilling (Complete with Rock Teeth and Rock Pilot)

Diameter	150mm	200mm	225mm	250mm	300mm	350mm	400mm	450mm	500mm	600mm	750mm	800mm	900mm
Part Number	30-50156600	30-50206600	30-50236600	30-50256600	30-50306600	30-50356600	30-50406600	30-50456600	30-50506600	30-50606600	30-50756600	30-50806600	30-50906600

Truck Cranes & Telehandlers

Truck Cranes

Earth Drill Model	3,000TC	5,500TC	7,000TC
Part Number	21-33200 TC	21-34300 TC	21-34400 TC
Truck Cranes (Tonne / Metre)	Up to 9T	Up to 15T	9T to 15T
Torque	3,109 Nm	5,525 Nm	6,878 Nm
Pressure	PRV	PRV	PRV
Oil Flow Range	25 to 35 l/m	35 to 50 l/m	35 to 50 l/m
Hydraulic Hoses	N/A	N/A	N/A
Output Shaft (STD)	65mm Rnd	75mm Sq	75mm Sq
Output Shaft (Optional)	2" Hex	70mm Hex	70mm Hex
Auger Series	S4	S5	S5
Length (Europe)	1.2M	1.2M	1.2M
Auger Diameter Range	100-600mm	150-800mm	150mm-1M

Telehandlers

Earth Drill Model	5,500 MAX	7,000	7,000 MAX
Part Number	21 - 34300	21 - 34400	21 - 35400
Telehandlers	4.5T to 7T	5T to 7T	5T to 8T
Torque	5,525	6,878 Nm	6,991 Nm
Pressure	260 Bar	260 Bar	260 Bar
Oil Flow Range	50 to 95 l/m	60 to 115 l/m	60 to 135 l/m
Hydraulic Hoses	1/2" BSP	1/2" BSP	3/4" BSP
Output Shaft (STD)	75mm Sq	75mm Sq	75mm Sq
Output Shaft (Optional)	70mm Hex	70mm Hex	70mm Hex
Auger Series	S5 75mm Sq	S5 75mm Sq	S5 75mm Sq
Length (Europe)	1.2M	1.2M	1.2M
Auger Diameter Range	150-600mm	150-750mm	150-800mm

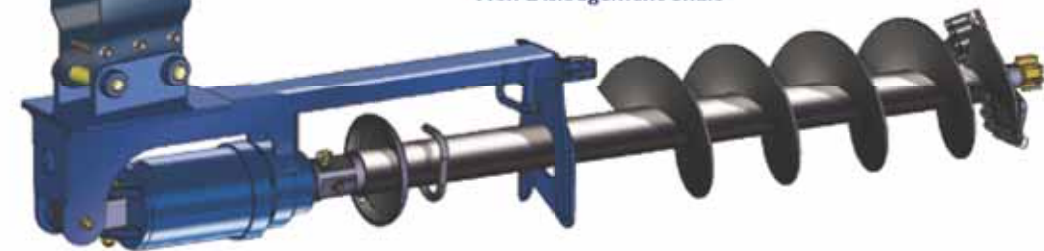
Truck Crane
(Hook Mounted)



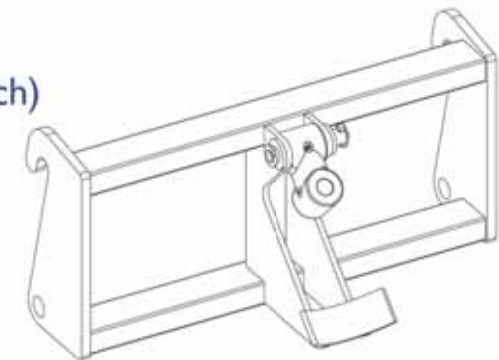
Truck Crane
(Fold up unit)



UNIQUE FEATURE
Non Dislodgement Shaft



Telehandler
(Mounting Hitch)



Truck Cranes

Truck Cranes up to 9 Ton Metre
Drilling Diameter
100 to 600mm

S4 Augers and Extension Shafts
for 3,000TC refer to page 7

**3,000 TC
Earth Drill**

Truck Cranes up to 15 Ton Metre
Drilling Diameter
150 to 800mm

S5 Augers and Extension Shafts
for 5,500TC refer to page 9

**5,500 TC
Earth Drill**

Truck Cranes 9 to 15 Ton Metre
Drilling Diameter
150mm to 1M

S5 Augers and Extension Shafts
for 7,000TC refer to page 9

**7,000 TC
Earth Drill**



Telehandlers

Telehandlers 4.5T to 7T
Drilling Diameter
150 to 600mm

**5,500 MAX
Earth Drill**

Telehandlers 5T to 7T
Drilling Diameter
150 to 750mm

**7,000
Earth Drill**

Telehandlers 5T to 8T
Drilling Diameter
150 to 800mm

**7,000 MAX
Earth Drill**

S5 Augers and Extension Shafts
for 5500 MAX, 7000 and 7000 MAX refer to page 9

Auger Range

Replacement Auger Wear Parts

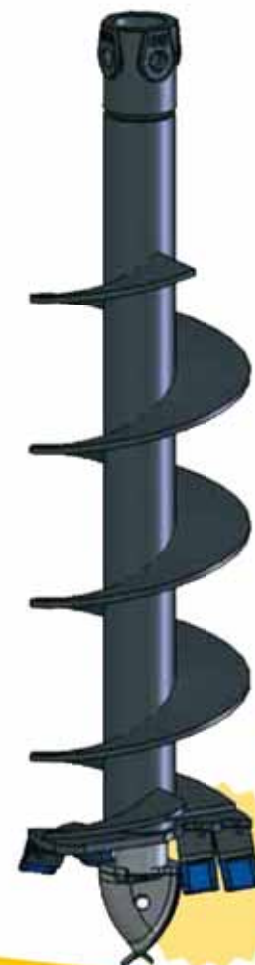


	S1 & S2 Augers for 1,200 Earth Drill
Length	900mm
Diameter Range	100mm to 300mm
Wear Parts	Earth
	S4 Augers for Earth Drills for X2,000 - X2,500 - 3,000 MAX - 3,500 MAX 4,500 MAX - 3,000 TC Earth Drills
Length	1.2M
Diameter Range	100mm to 900mm
Wear Parts	Earth, Tungsten and Extra Dig
	S5 Augers for Earth Drills for 5,000 - 5,500 MAX - 7,000 - 7,000 MAX - 8,000MAX 5,500 TC - 7,000 TC Earth Drills
Length (Europe)	1.2M
Diameter Range	150mm to 900mm
Wear Parts	Earth, Tungsten and Rock
	S6 Augers for Earth Drill for 10,000 - 12,000 - 15,000 - 12,000 MAX 15,000 MAX - 20,000 MAX Earth Drills
Length	1.6M
Diameter Range	150mm to 1.2M
Wear Parts	Earth, Tungsten and Rock
	PA Augers 2M and 3M for 30,000 - 30,000 MAX - 50,000 MAX Earth Drills
Length	2M and 3M
Diameter Range	300mm to 1.5M
Wear Parts	Earth and Rock

Auger Torque's

Innovative Ground Breaking Tooth System

- The Shock Lock™ system is unique to Auger Torque.
- Shock Lock™ has a "Shock" Absorbing Element which increases the life of Tungsten Teeth
- A solid pin "Lock" system prevents the loss of Teeth but also allows for fast replacement in the field



Fitted as standard on all
S1, S2, S4, S5, S6 Augers with
Earth and Tungsten Teeth

Solid Locking Pin



Shock Absorbing Element



Shock Lock™

Patents Applied

BRITISH PATENT NO 2404935
AUSTRALIAN PATENT APPLICATION NO 2004203825
CANADIAN PATENT APPLICATION NO 2478443
EUROPEAN PATENT NO 1507061
GERMAN PATENT NO 40 2004 009 250.9-08
US PATENT APPLICATION NO 10/917335
UNREGISTERED DESIGN RIGHT RESERVED 2004

Trademarks Applied

EUROPE TRADE MARK 3657459
AUSTRALIA TRADE MARK 1013928
CANADIAN TRADE MARK PENDING 1226346
US TRADE MARK 3,293,527

Replacement Auger Wear Parts

S1/S2 Wear Parts

SHOCK LOCK



Tooth Thickness
10mm

S1 / S2 Earth Tooth
Part Number 33-9101



S1 / S2 Earth Pilot
Part Number 33-9201

Auger Pins & Clips



Auger	Pin P/N	Clip P/N
S1 (STIHL)	N/A	99-99022
S2 (50mm Rnd)	42-1055	99-99021
S4 (65mm Rnd)	30-0004	99-99020
S4/S5 (2" Hex)	30-0003	99-99020
S5/S6 (57&75mm Sq)	30-0002	99-99020
PA 110mm Sq	23-3900	99-99020

S5 / S6 Wear Parts

SHOCK LOCK



Tooth Thickness
14mm

S5 / S6 Earth Tooth
Part Number 33-9105



S5 / S6 Earth Pilot
Part Number 33-9205

S4 Wear Parts

SHOCK LOCK



Tooth Thickness
10mm

S4 Earth Tooth
Part Number 33-9101



S4 Earth Pilot
Part Number 33-9203



S4 Pilot Extension
Part Number 33-4106

SHOCK LOCK



S5 / S6 Tungsten Tooth
Part Number 33-9106



S5 / S6 Tungsten Pilot
Part Number 33-9206

SHOCK LOCK



Tooth Thickness
10mm

S4 Tungsten Tooth
Part Number 33-9104



S4 Tungsten Pilot
Part Number 33-9204



S4 Extra Dig Pilot
Part Number 33-9212

NEW



S5 / S6 Rock Tooth
Part Number 33-9107



S5 / S6 150mm Rock Pilot
Part Number 33-9210



S5 / S6 Rock Pilot
Part Number 33-9207

S1/S2/S4 Tooth Holder
Part Number
33-1010



10mm

S4 Pilot Drive Lug
Part Number
33-4102



S5/S6 Tooth Holder
Part Number
33-1011



14mm

S5/S6 Tooth Holder
(Rock)
Part Number
33-1013



S5/S6 Pilot Drive
(1 3/4" Hex)
Part Number
33-4103



PA Tooth Holder
Part Number
33-1012



PA Pilot Drive
(2" Hex)
Part Number
33-4104



PA Wear Parts



PA Earth Tooth
Part Number 33-9108



PA Earth Pilot
Part Number 33-9208



33-9209-3



33-9209-2



33-9209-1

PA Rock
Pilot Parts

PA Rock Pilot
Part Number 33-9209



PA Rock Tooth
Part Number 33-9109

Trencher Attachments

MT 600

PART NUMBER DESCRIPTION
 41-06000 MT 600 Trencher complete with Trench Cleaner and 1/2" Hoses *Required minimum flow; 35 lpm @ 160 to 240Bar

MT 900

PART NUMBER DESCRIPTION
 45-09000 MT 900 Trencher complete with Trench Cleaner and 1/2" Hoses *Required minimum flow; 45 lpm @ 180 to 240Bar

Mounting Hitches for MT 600 & MT 900

PART NUMBER DESCRIPTION
 15-2912 Universal Skid Steer Loader - Side Shift Frame
 15-53000 Excavator 30mm Pins
 15-53500 Excavator 35mm Pins
 15-54000 Excavator 40mm Pins
 15-54500 Excavator 45mm Pins

Recommended Wear Parts/Spare Parts

PART NUMBER DESCRIPTION
 44-2010 Earth Tooth - LH
 44-2011 Earth Tooth - RH
 44-2001 Tungsten Tooth - LH
 44-2002 Tungsten Tooth - CENTRE
 44-2003 Tungsten Tooth - RH
 42-1033 12T Sprocket
 99-1207 Bearing for Nose Roller
 99-1603 Circlip for Nose Roller
 42-1900 Nose Roller complete with Bearing and Circlip
 44-2025 Bare Chain 64 Pitch x 32 Stn (MT 900)
 44-2026 Bare Chain 48 Pitch x 24 Stn (MT 600)
 44-2022 Joining Pin & Locking Pin

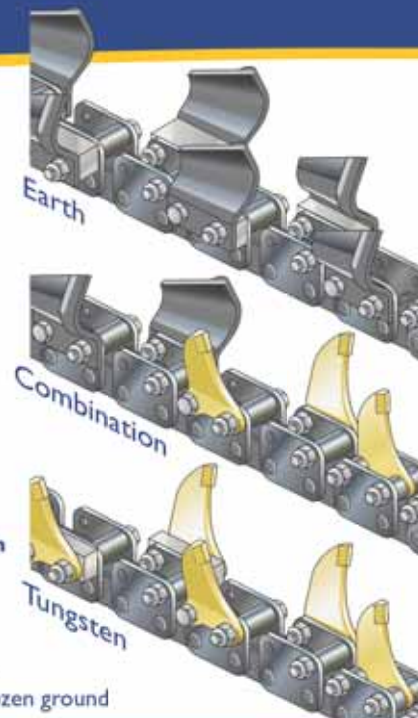
Chains for the MT range

Chain Length/Type	Trench width			
	100	150	200	300
600 Earth	44-2901	44-2903	44-2905	-
600 Combination	44-2902	44-2904	44-2906	-
600 Tungsten	44-2918	44-2913	44-2914	-
900 Earth	44-2907	44-2909	44-2911	44-2933
900 Combination	44-2908	44-2910	44-2912	44-2934
900 Tungsten	44-2916	44-2920	44-2921	44-2935

Versatile trenchers for small machines

Applications include:

- Ground Heat Pump Systems
- Drainage
- Gas / Water Piping
- Electric Cable
- Irrigation
- Tree Planting



MT 600

for Skid steer Loaders, Mini Loaders & Excavators 2.5T to 4.5T*

MT 900

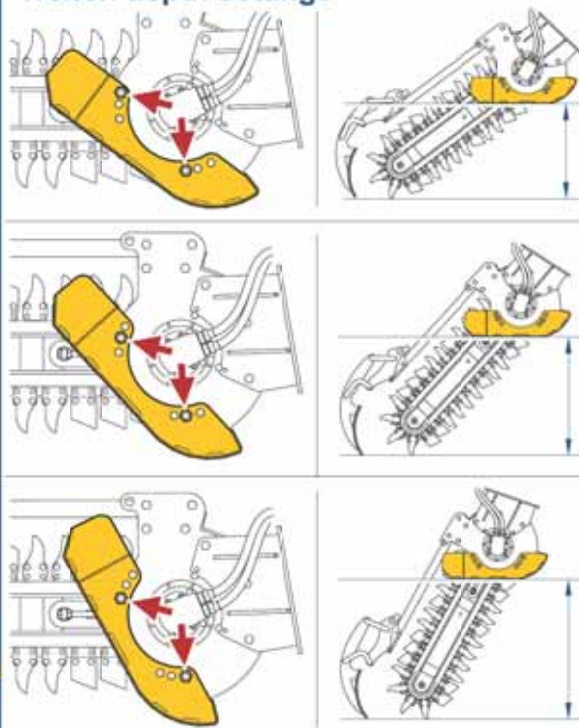
for Skid steer Loaders, Mini Loaders & Excavators 3T to 7T*

Auger Torque Trencher chains are fitted with a choice of tooth patterns to suit your needs:

- Earth Teeth for soft ground
- Combination of Earth and Tungsten Teeth for mixed terrain
- Tungsten Teeth for asphalt and frozen ground



Trench depth settings



MT Trenchers

	600	900
300	600	
450	750	
600	900	

XHD 900**XHD 1200****XHD 1500**

XHD 1200

Xtreme Heavy Duty**Trenchers for larger machines**

Backhoes, Skid Steer Loaders & Excavators 5T to 10T*

Applications include:

- Ground Heat Pump Systems
- Gas / Water Piping
- Electric Cable
- Tree Planting
- Irrigation
- Drainage



XHD Trenchers		
900	1200	1500
600	800	1000
750	1000	1250
900	1200	1500

**XHD900/1200/1500****PART NUMBER DESCRIPTION**

43-09100	XHD 900 Trencher complete with Trench Cleaner and Hoses. *Required minimum flow; 60 lpm @ 180 to 240Bar
43-12100	XHD 1200 Trencher complete with Trench Cleaner and Hoses. *Required minimum flow; 70 lpm @ 180 to 240Bar
43-15100	XHD 1500 Trencher complete with Trench Cleaner and Hoses. *Required minimum flow; 80 lpm @ 180 to 240Bar

Mounting Hitches for XHD range**PART NUMBER DESCRIPTION**

15-2913	Universal Skid Steer Loader - Side Shift Frame - Heavy Duty EXCAVATOR HITCHES					
Pin Size:	40mm	45mm	50mm	55mm	60mm	65mm
Part Number:	15-64000	15-64500	15-65000	15-65500	15-66000	15-66500

Recommended Wear Parts/Spare Parts**PART NUMBER DESCRIPTION**

44-3001	Earth Tooth - LH
44-3002	Earth Tooth - RH
44-3003	Tungsten Tooth - LH
44-3004	Tungsten Tooth - CENTRE
44-3005	Tungsten Tooth - RH
43-1019	141 Sprocket
99-1213	Bearing for Nose Roller
99-1607	Circlip for Nose Roller
43-1900	Nose Roller complete with Bearing and Circlip
44-3017	Bare Chain 58 Links (XHD 900)
44-3013	Bare Chain 72 Links (XHD 1200)
44-3015	Bare Chain 86 Links (XHD 1500)

Chains for the XHD range

Chain Length/Type	Trench width				
	150	200	250	300	350
900 Earth	44-3904	44-3907	44-3910	44-3913	44-3916
900 Combination	44-3905	44-3908	44-3911	44-3914	44-3917
900 Tungsten	44-3906	44-3909	44-3912	44-3915	44-3918
1200 Earth	44-3922	44-3925	44-3928	44-3931	-
1200 Combination	44-3923	44-3926	44-3929	44-3932	-
1200 Tungsten	44-3924	44-3927	44-3930	44-3933	-
1500 Earth	44-3937	44-3940	-	-	-
1500 Combination	44-3938	44-3941	-	-	-
1500 Tungsten	44-3939	44-3942	-	-	-

Stump Planer

- ★ For easy removal of Tree Stumps
- ★ Low R.P.M. speed
- ★ Effective 3 blade design
- ★ Available in 250mm and 350mm diameters
- ★ Used with Auger Torque High Performance Earth Drills

(Contact Auger Torque for suitable Earth Drill models)



Model	Diameter	Length	Part Number
SP 250	250mm	500mm	37-00301500
SP 350	350mm	700mm	37-10501500

Brooms, Buckets & Alloy Ramps

Broom Width Options

1.6M

1.7M

1.8M

2M

Brush Diameter Options

500mm (20")

600mm (24")

Side Brush optional



Skid Steer Loader Sweeping Broom

**EASY
HEIGHT
ADJUSTMENT**

Skid Steer Loader - Lifting Forks



1200Kg & 1600Kg Capacity

Mixer Bowls



120 & 140 Litre Capacity

Aluminium Loading Ramps (To suit Tyres and Tracks)

Range 1.5T - 3T - 4T - 4.5T - 5T - 6T - 8T



4 in 1 Buckets



Tilt Buckets



Skeleton Buckets



For Distributor / Dealer enquiries email: sales@augertorque.com



Auger Torque Europe Ltd
Hazleton • Cheltenham
GL54 4DX • England
Phone: +44 (0) 1451 861652
Fax: +44 (0) 1451 861660
Email: sales@augertorque.com

www.augertorque.com