



...../...../.....

.....  
*For the Attention of Dear.....;*

**-INTRODUCING -  
THE OPMS 1002  
ELECTROSTATIC DYED PACKAGING MACHINE**

**PACKAGING DETAILS**

- Suitable heat-sealable films such as paper or aluminium laminations, OPP , BOPP cellophane with ready stick sides and cold sealable films of same quality.
- The range of goods that can be packed : chocolates, sweet confectioneries, biscuits, cakes, halva, sandwiches, finger foods, and other applications such as sponges, cleaning cloths, soaps, rubbish bags, and other solid products can also be packed. This machine's packing capacity is approximately 150-200 pac/min. The capacity is dependent on used wrapping material type and stick type (hot or cold) and also sizes of product been packaged. From 40-80 gr. to 1 kg. can be packaged on this model without any other additional parts added.

**CONSTRUCTION**

- Heavey duty full steel frame
- Product handling line is stainless steel finishing , rest of the machine chassis is electrostatic dyed
- Body design for easy clean down.
- Heavey duty roller for easy relocation.
- Heavey duty adjustable feet for permanent positioning.

**FEATURE DETAILS**

- The chin system is double chin which has a adjustable angle blades.
- Single bobbin head is fitted with a extra bearing with a total of 2 bearings to stop any flexing from loading.
- The Packet length dimension can be set to continously variable any dimension between the minimum and maximum value.
- Automatic break system.
- More power of resistance and more robust and mechanically advanced.
- The automatic packaging settings can be done with buttons on control panel.
- Photocell system with magnetic clutch.
- The chin speed can be set to continously variable any speed between the minimum and maximum value, while machine is operating.
- Adjustable folding unit.
- The electric panel is connected to the outside of the machine.

**MACHINE PRICE : 12.500-Euro**

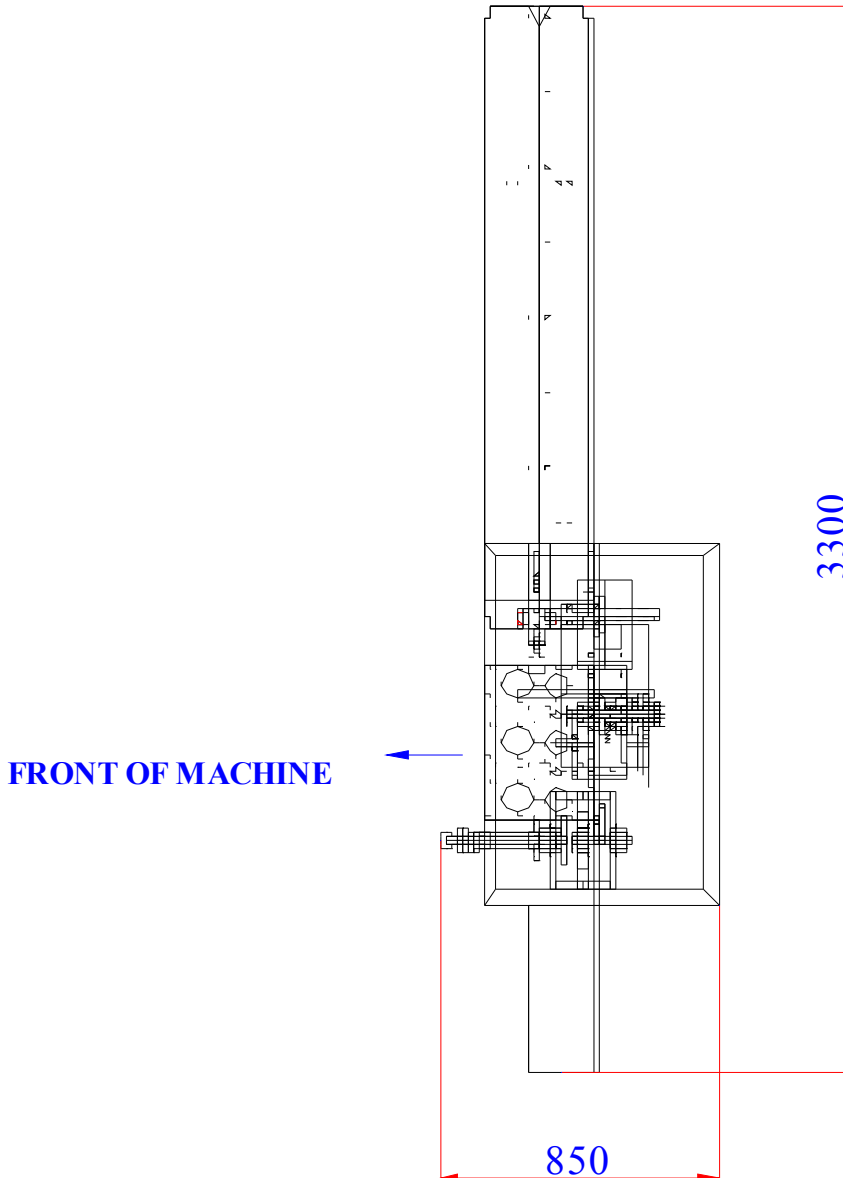
**SPECIFICATIONS**

<b>Chin Width</b>	160 mm	Consult ORME for other dimensions	<b>General Machine Dimensions</b>	Width : 850 mm
<b>Product Dimensions</b>	Width :20-150 mm			Height : 1800 mm
	Height: 5-60 mm		Lenght : 3300 mm	
	Lenght : 60-260 mm		<b>App. Machine Weight : 700 kg.</b>	
<b>Machine Speed</b>	150-200 pac/min.	<b>Pneumatic Consumption</b>	NO	
<b>Max. Spool Width</b>	400 mm	<b>Electrical Voltage</b>	380 Volt / 3 Phase 50 Hz.	
<b>Max. Spool Diameter</b>	450 mm	<b>Power Consumption</b>	3.5 kW – 16 Amp.	
<b>Spool Inside Diameter</b>	60-76 mm	<b>Motor Power / Heater Power</b>	1.5 kW – 2 kW	

The all technical specification in this catalogue are with a view to presentation. ORME reserves to right to change specifications without prior notice -1/2-



***THE OPMS 1002  
ELECTROSTATIC DYED PACKAGING MACHINE***



The all technical specification in this catalogue are with a view to presentation. ORME reserves to right to change specifications without prior notice -2/2-