

# WISE-2460P

## 8KHz@1-axis Smart Vibration Sensor

NEW



### Features

- RS-485 Serial communication through Modbus/RTU protocols
- 8KHz@1-axis frequency detection range
- On-board computing, build-in unbalance, misalignment, bearing defect and gear mesh failure mode detection
- ISO 10816 compliant
- Supports wide temperature -20 ~ 105°C
- IP68 enclosure design

### Introduction

WISE-2460P is a robust RS-485 smart vibration sensor integrated with an ARM Cortex-H7 processor, 8KHz@1-axis high detection range accelerometer and temperature sensor. This powerful computing device balances the bandwidth between edge devices and the application service on the user side.

WISE-2460P builds-in unbalance, misalignments, bearing defects, and gear mesh failure detection for rotating equipment facility inspection applications. By using Advantech WISE Studio utility, users can easily monitor the RPM of equipment: frequency detection ranges, alarm thresholds, other configuration settings.

### Common Specification

#### General

- **Power Input** 10 ~ 30V<sub>DC</sub>
- **LED Indicator** Status, TX, RX
- **Configuration Interface** RS-485 (Modbus/RTU)
- **IP Class** IP68
- **Mounting** Stud mount, mounting pad and adhesives
- **Dimension (W x H x D)** 58.4 x 36.7 x 40 mm
- **Certification** CE

#### Environment

- **Operating Temperature** -20°C ~ 105°C
- **Operating Humidity** 10% ~ 95% RH
- **Storage Temperature** -25°C ~ 120°C
- **Storage Humidity** 5% ~ 95% RH

### 1-Axis Accelerometer Sensor

- **Axis** Z
- **Frequency Range** 5~8000Hz
- **Amplitude Range** ±50g
- **Statistical Time-Domain** Velocity RMS
- **Output Data Rate** 16384Hz
- **Accuracy** 5-4000Hz (5%); 4001~8000Hz (35%)
- **Noise** 25 µg/√Hz in ±50 g range
- **Sensitivity Change Due to Temperature** ±5%

### Ordering Information

- **WISE-2460P-MA** 8KHz@1-axis Smart Vibration Sensor

#### Accessories

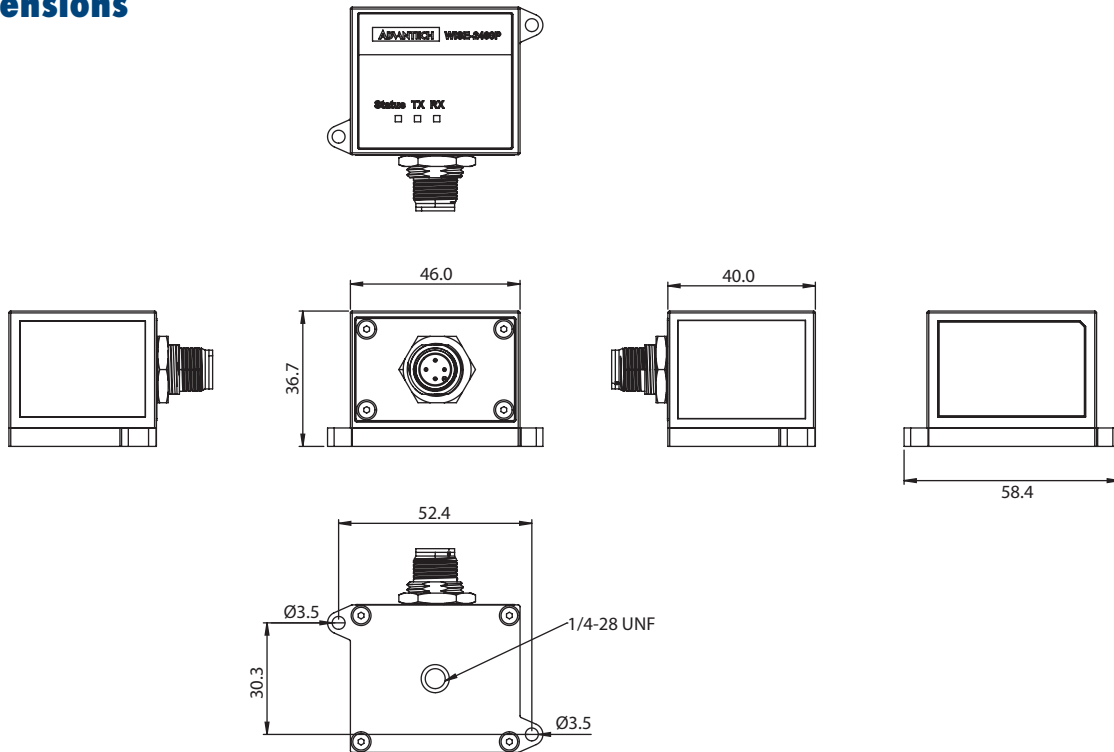
- **25F7000004N000** Magnet base D30XH9mm for WISE-2460P installation
- **WISE-2410-MTB01** Metal base for WISE-2460P installation
- **1700028162-01** M12, A-code, 4 pin, Female with 1M cable
- **BB-RPS-V2-WR2-US** Power Supply, 12V/1A, US plug
- **BB-RPS-V2-WR2-EU** Power Supply, 12V/1A, EU plug

#### Wireless Module

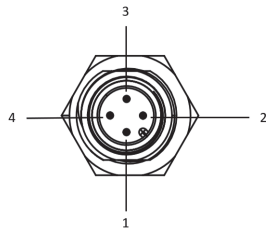
- **WISE-4051-B** 2.4G WiFi IoT Wireless I/O with 8DI/1RS-485

## Dimensions

Unit: mm



## Pin Define



Pin Number	Pin Name	Pin Description
1	+VS	Input power V+
2	Data+	RS-485 Data+
3	-VS	Input power V-
4	Data-	RS-485 Data-