

# Bourdon tube pressure gauges // industrial version

Types MRE and MRE-g




Type MRE-g



## Highlights

- Suitable for outdoor use - Closed system
- Case complete stainless steel
- Without electrical auxiliary power

## Technical data

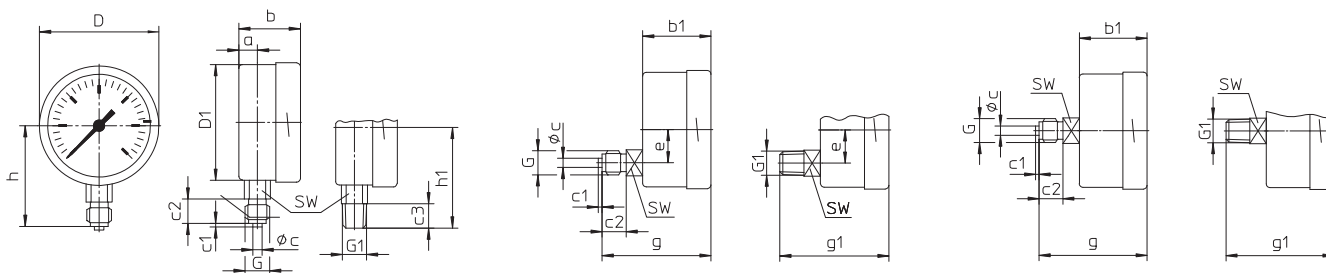
<b>Type</b>	MRE / MRE-g
<b>Version</b>	Bayonet ring case or crimped-on ring case
<b>Nominal size</b>	63 mm
<b>Accuracy</b>	EN 837-1, class 1.6 and class 2.5 (for display ranges 0...600 bar and 0...1000 bar)
<b>Medium / Application</b>	Liquid and gaseous media
<b>Process connection</b>	Thread see table , brass, optional stainless steel
<b>Measurement system</b>	Bourdon spring bronze, optional stainless steel
<b>Degree of protection according to EN 60529</b>	IP54 (IP65 for filled cases with closed pressure compensation insert)
<b>Ambient temperature</b>	-40 to 60 °C (-20 to 60 °C with case filling)
<b>Storage temperature</b>	-40 to 70 °C (-20 to 70 °C with case filling)
<b>Medium temperature</b>	Devices with brass connection max. 60 °C Devices with stainless steel connection max. 200 °C (max. 100 °C with case filling)
<b>Nominal use temperature</b>	20 °C*
<b>Pressure load capacity</b>	<b>Of full-scale value</b>
→ Resting load	75 %
→ Dynamic load	65 %
→ Overload	Max.
<b>Approvals</b>	

\* The pressure gauges are calibrated at a reference temperature of 20 °C. At other operating temperatures the maximum indication error is  $\pm 0.4$  % of full scale value per 10 °C difference in accordance with EN 837-1.

# Types and dimensions // bayonet ring case

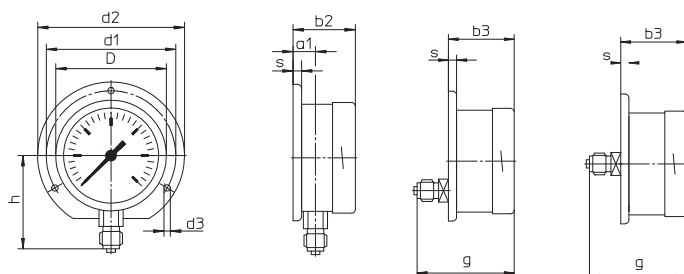
## Without mounting flange

Bottom connection, lower back connection or central back connection



## With rear flange

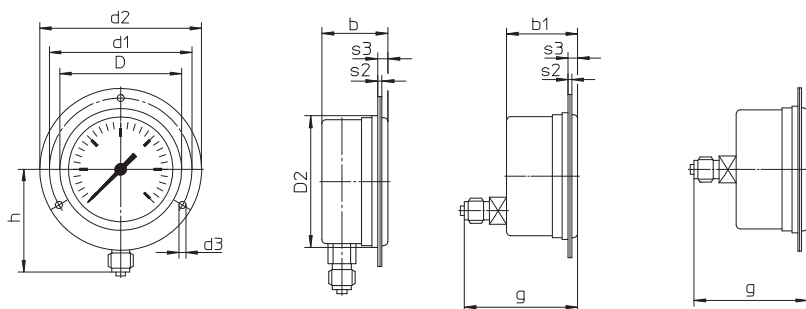
Bottom connection, lower back connection\* or central back connection\*



- \* Versions available on request, but not recommended by EN 837-1.
- \*\* Front flange with oval holes and separate trim ring, recommended panel cut out  $\varnothing 67 \pm 0.3$  mm

## With front flange\*\*

Bottom connection\*, lower back connection or central back connection



### Dimensions [mm]

NS	D	D1	D2	a	a1	b	b1	b2	b3	c	c1	c2	c3	d1	d2
63	64	62	66	10	13	33	37	36	40	5	2	13	13	75	85

### Dimensions [mm]

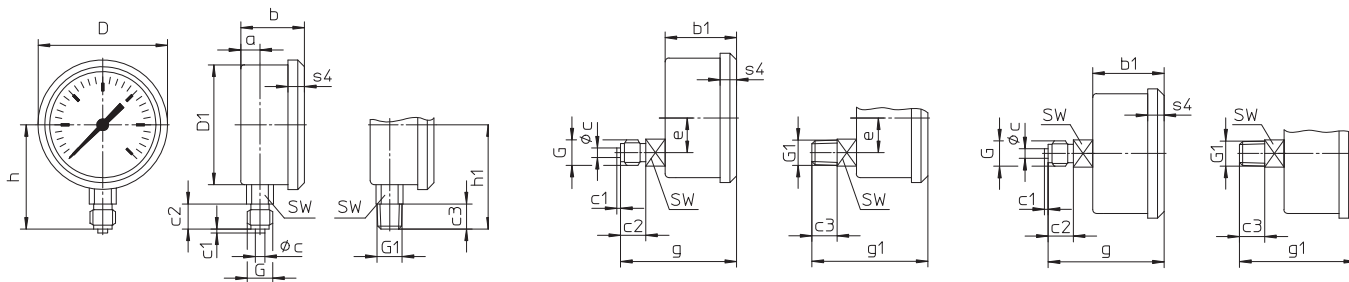
NS	d3	e	G	G1	g	g1	h	h1	s	s2	s3	SW	Weight [kg] (approx.)*	
													unfilled	filled
63	3.6	18	G $\frac{1}{4}$ B M12 x 1.5	$\frac{1}{4}$ NPT	59	59	54	54	5	2	5.5	14	0.18	0.25

\* Data applies to versions without mounting flange

# Types and dimensions // crimped-on ring case

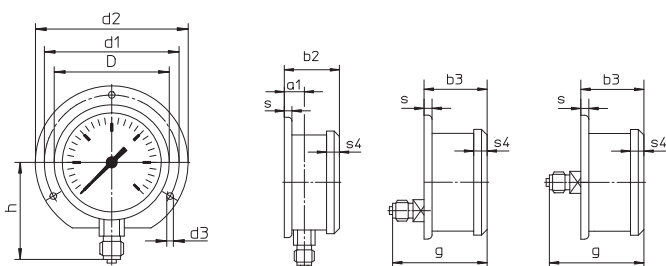
## Without mounting flange

Bottom connection, lower back connection or central back connection



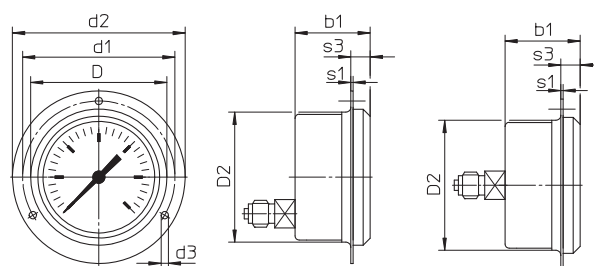
## With rear flange

Bottom connection, lower back connection\* or central back\* connection



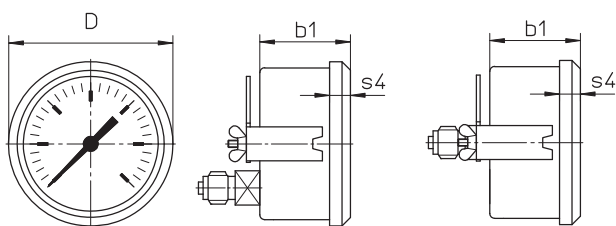
## With front flange\*\*

Lower back connection or central back connection



## With u-clamp\*\*\*

Lower back connection or central back connection



- \* Versions available on request, but not recommended by EN 837-1
- \*\* Recommended panel cut out  $\varnothing 67 \pm 0.3$  mm
- \*\*\* Recommended panel cut out  $\varnothing 64 \pm 0.3$  mm

### Dimensions [mm]

NS	D	D1	D2	a	a1	b	b1	b2	b3	c	c1	c2	c3	d1	d2
63	67	62	64	10	13	33	37	36	40	5	2	13	13	75	85

### Dimensions [mm]


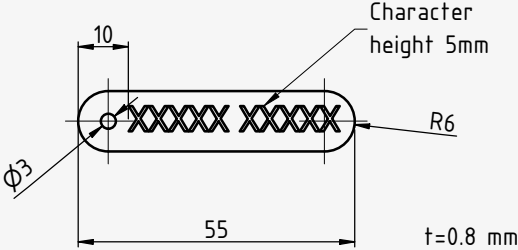
NS	d3	e	G	G1	g	g1	h <sup>±1</sup>	h1 <sup>±1</sup>	s	s1	s3	s4	SW	Weight [kg] (approx.)*	
														unfilled	filled
63	3.6	18	G $\frac{1}{4}$ B M12 x 1.5	$\frac{1}{4}$ NPT	60	60	54	54	5	1	9.5	8.5	14	0.18	0.25

\* Data applies to versions without mounting flange

# Article numbers

Order code						
<b>Bourdon tube pressure gauges, industrial version</b>						
Bayonet ring case	MRE					
Crimped-on ring case	MREG					
<b>Nominal size</b>						
63 mm		1				
<b>Connection thread</b>						
G $\frac{1}{4}$ B bottom			1			
G $\frac{1}{4}$ B lower back connection			2			
G $\frac{1}{4}$ B central back connection			5			
$\frac{1}{4}$ NPT bottom			M			
$\frac{1}{4}$ NPT lower back connection			N			
$\frac{1}{4}$ NPT central back connection			S			
M12 x 1.5 bottom			3			
M12 x 1.5 lower back connection			4			
M12 x 1.5 central back connection			6			
<b>Connection material</b>						
Brass				1		
Stainless steel				3		
<b>Display ranges</b>						
-1...0 bar					315	
-1...0.6 bar					505	
-1...1.5 bar					515	
-1...3 bar					525	
-1...5 bar					535	
-1...9 bar					545	
-1...15 bar					555	
0...0.6 bar					015	
0...1 bar					025	
0...1.6 bar					035	
0...2.5 bar					045	
0...4 bar					055	
0...6 bar					065	
0...10 bar					075	
0...16 bar					085	
0...25 bar					095	
0...40 bar					105	
0...60 bar					115	
0...100 bar					125	
0...160 bar					135	
0...250 bar					145	
0...400 bar					155	
0...600 bar					165	
0...1000 bar					175	
						only with crimped-on ring case (connection material stainless steel)
<b>Mounting flange</b>						
None						0
Rear flange						1
Front flange						2
U-clamp						3
						only with crimped-on ring case
<b>Options</b>						
None						0
<b>Filled case</b>						
Unfilled case						0
Filled case (glycerine)						G
<b>Example order number</b>	<b>MRE</b>	<b>1</b>	<b>1</b>	<b>1</b>	<b>315</b>	<b>0 0 0</b>

# Accessories

Accessories	Article number
<p><b>Measuring point designation</b> Laser-inscribed stainless steel plate with fixing wire for easy attachment to measuring points</p> <ul style="list-style-type: none"><li>→ <b>Scope of delivery:</b> Designation plate inscribed according to specification and enclosed fixing wire (sealing wire)</li><li>→ <b>Fastening:</b> Wire (included in delivery), alternatively sealing, cable ties or similar (not included in delivery)</li><li>→ <b>Materials:</b> Plate stainless steel 1.4571, wire stainless steel</li><li>→ <b>Dimensions:</b> Plate 55 x 10 x 0.8 mm, wire length 180 mm</li><li>→ <b>Inscription:</b> one-sided, single-line, max. 11 characters, character height 5 mm, designation width max. 40 mm, letters, numbers, symbols, barcodes, QR codes</li><li>→ <b>Transmission of designations:</b> digital list, file formats Excel, Word or CSV</li></ul>  	<p><b>ONSITETAG</b></p>