

CASSINO 500 LED

CASSINO 500 LED Lichtpoller
12.71612.0V001 1X LED E27

Illuminating bollard CASSINO 500
Housing made of aluminium
Cover of polyacrylic glass (PMMA) with frosted surface
Elec. equip.: 1xE27 socket for LED lamp (220-240V/50-60Hz)
Without lamp (Type P 40, max. 7W)
Ingress protection IP54, protection rating I
Total height 500 mm
With flange plate 210 x 210 x 12 mm
Connection: 3 x 2,5 mm² terminal in the base of the bollard
Colour: DB 703

Technical values

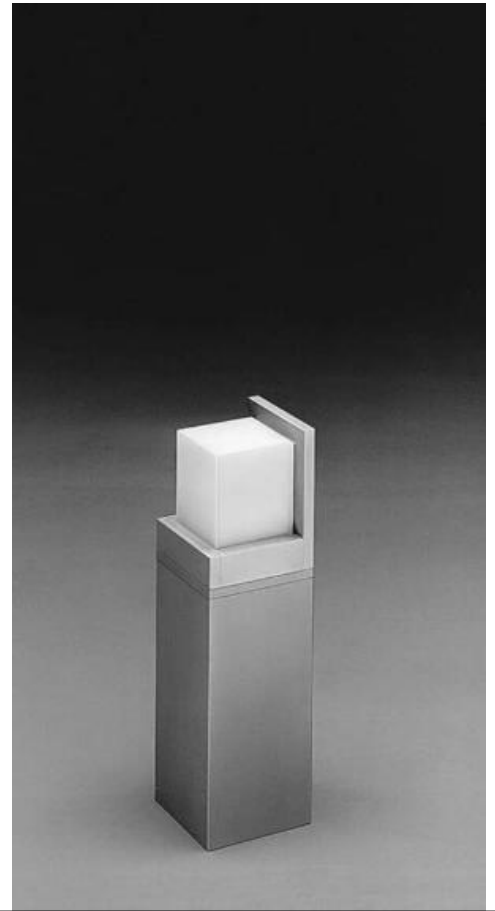
Wind catching surface	0,075 m ²
ULOR	67,5%
IK-Code	IK06
Ingress protection	IP54
€ €	

Advantages

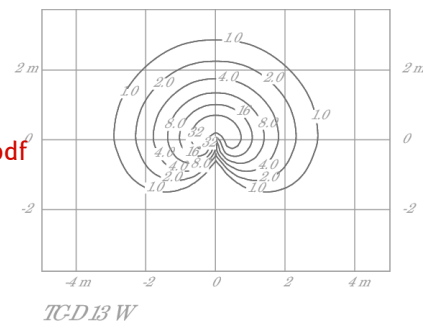
- The CASSINO product family makes integrated lighting solutions possible
- Simple, modern design

Downloads

Drawings: [Cassino_900_500_LP.png](#)
Installation instructions: [HessMA_FERRARA_CASSINO_LED.pdf](#)
Photometric data: [CASSINO_illuminating_bollard.zip](#)



Photometric reports



CASSINO 500 LED

Drawings

