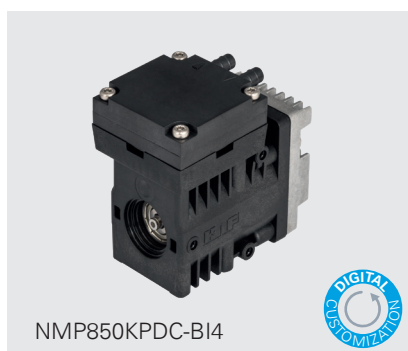


NMP850 SERIES MICRO DIAPHRAGM GAS PUMPS



NMP850KPDC



NMP850KPDC-BI4



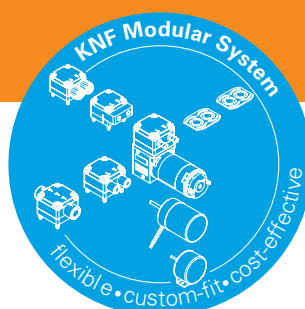
ADVANTAGES

- Customizing available
- Tested to customers specs
- High performance to size, efficiency and weight ratio
- Excellent reliability/durability
- Speed controllable
- Low sound level
- Long service life
- Uncontaminated transfer
- Maintenance-free
- High chemical resistance
- Can be installed in any position

POSSIBLE AREAS OF USE

- Medical devices
- Analytical equipment
- Emission measurement
- Reprographic
- Degassing
- Safety/Security
- Portable devices

Please visit our website
www.knf.com
to get more information.



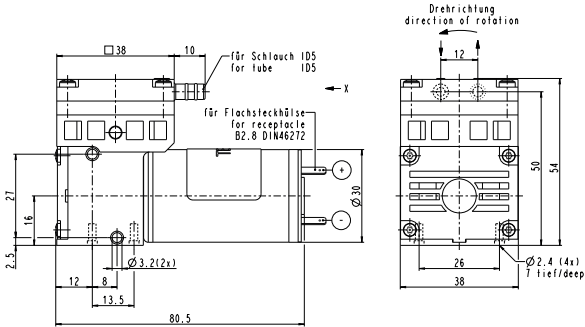
PERFORMANCE DATA									
Series model	NMP850								
Material design	KPDC		KTDC		KPDC-BI4		KTDC-BI4		
Pump head	PPS								
Diaphragm	EPDM		PTFE coated		EPDM		PTFE coated		
Valves	EPDM		FFKM		EPDM		FFKM		
Flow rate at atm. pressure (l/min)	4.5		3.9		4.2		4		
Ultimate vacuum (mbar abs.)	230		300		230		300		
Ultimate pressure (bar rel)	2.3		2		2.5		2		
Permissible media and ambient temperature (° C/° F)	+5° C to +40° C / 41° F to 104° F (extended temperature on request)								
Weight (g/oz)	208/7.33		208/7.33		195/6.87		195/6.87		
ELECTRICAL DATA									
Voltage (V)	12	24	12	24	12	24	12	24	
Motor	DC				Integrated brushless DC, 4 wire (2 wire on request)				
I _{max} (A)	0.65	0.4	0.65	0.4	0.95	0.5	0.85	0.45	

NMP850KPCD

PERFORMANCE DATA

Series model	Flow rate at atm. pressure (l/min)	Max. operating pressure (bar rel)	Ultimate vacuum (mbar abs.)
NMP850KPCD 12V	4.5	2.3	230
NMP850KPCD 24V	4.5	2.3	230

NMP850KPCD



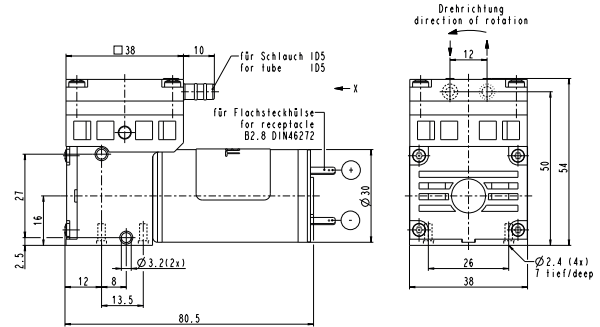
Dimensions in mm

NMP850KTDC

PERFORMANCE DATA

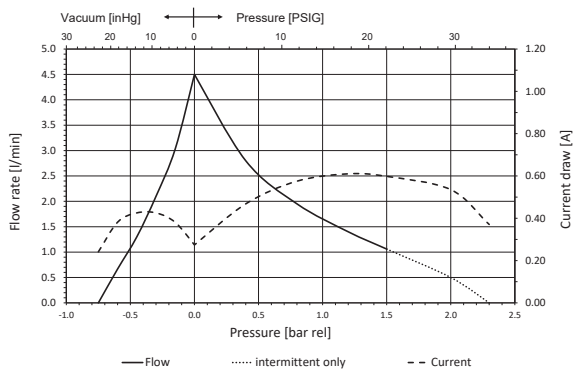
Series model	Flow rate at atm. pressure (l/min)	Max. operating pressure (bar rel)	Ultimate vacuum (mbar abs.)
NMP850KTDC 12V	3.9	2.0	300
NMP850KTDC 24V	3.9	2.0	300

NMP850KTDC

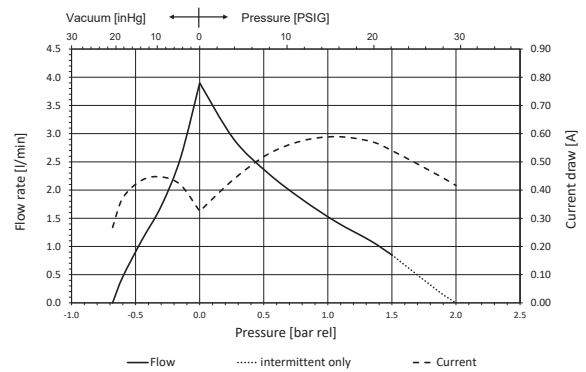


Dimensions in mm

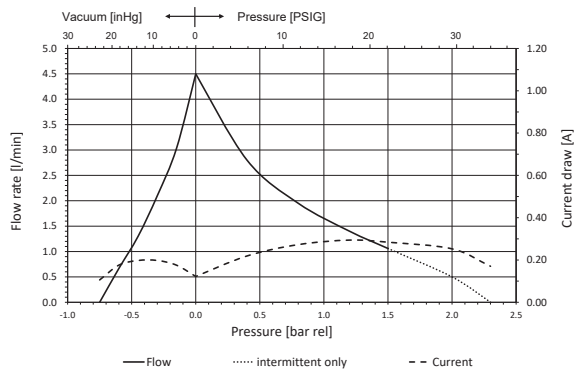
NMP850KPCD 12V FLOW CURVE



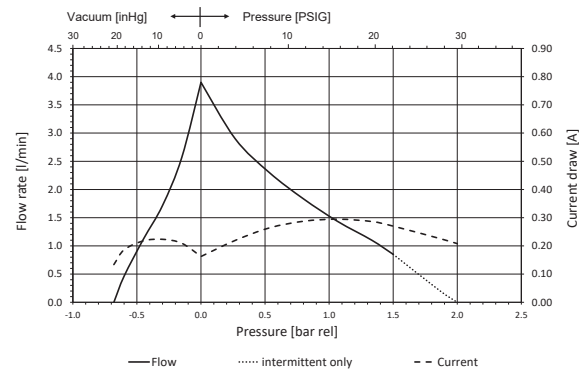
NMP850KTDC 12V FLOW CURVE



NMP850KPCD 24V FLOW CURVE



NMP850KTDC 24V FLOW CURVE

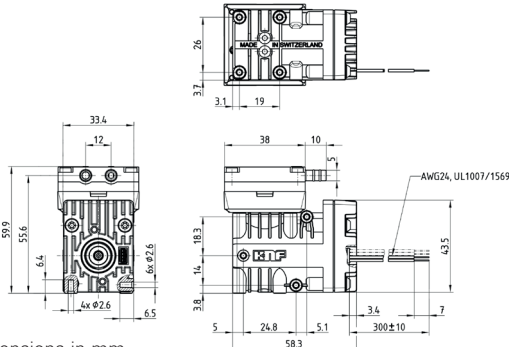


NMP850KPDC-BI4

PERFORMANCE DATA

Series model	Flow rate at atm. pressure (l/min)	Max. operating pressure (bar rel)	Ultimate vacuum (mbar abs.)
NMP850KPDC-BI4 12V	4.2	2.5	230
NMP850KPDC-BI4 24V	4.2	2.5	230

NMP850KPDC-BI4



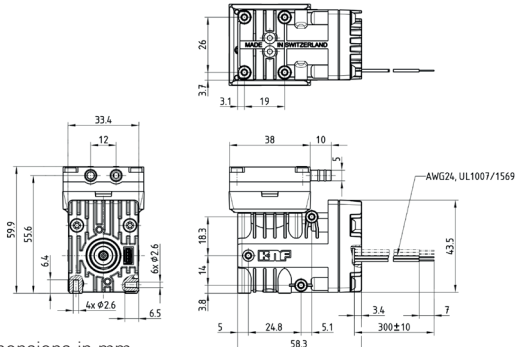
Dimensions in mm

NMP850KTDC-BI4

PERFORMANCE DATA

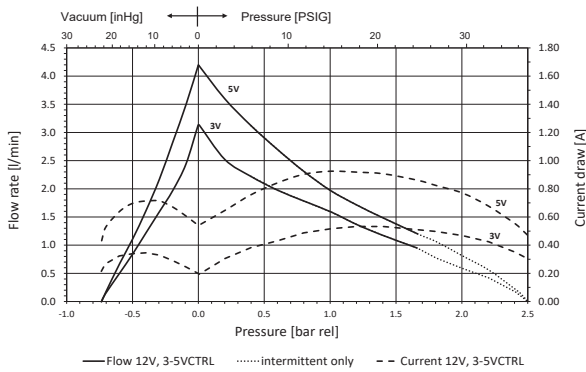
Series model	Flow rate at atm. pressure (l/min)	Max. operating pressure (bar rel)	Ultimate vacuum (mbar abs.)
NMP850KTDC-BI4 12V	4.0	2.0	300
NMP850KTDC-BI4 24V	4.0	2.0	300

NMP850KTDC-BI4

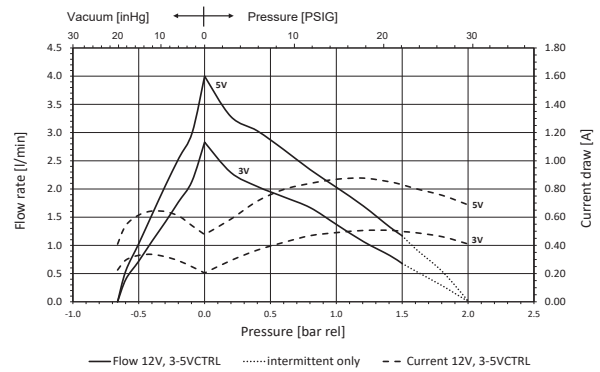


Dimensions in mm

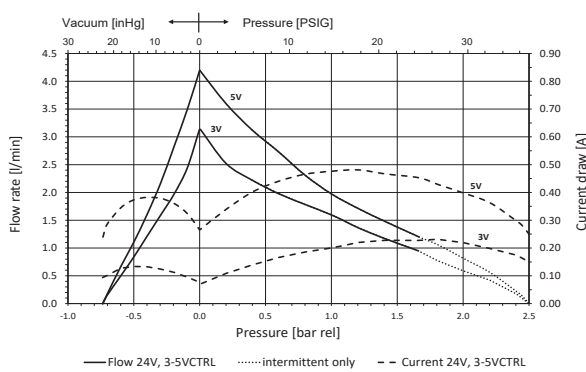
NMP850KPDC-BI4 12V FLOW CURVE



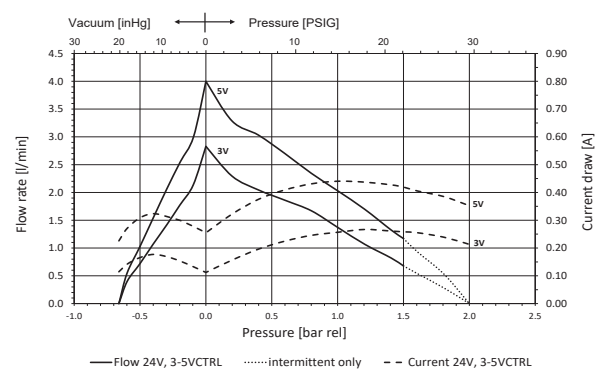
NMP850KTDC-BI4 12V FLOW CURVE



NMP850KPDC-BI4 24V FLOW CURVE










NMP850KTDC-BI4 24V FLOW CURVE



DIGITAL CUSTOMIZATION

Thanks to digital technology, this pump can be quickly adapted to the customer's system. This is done by parametrizing the firmware of the brushless motor at KNF.

OPTIONS			
Description	Illustration	Part No.	Details
Motors			Other motor options are available. Ask your KNF sales contact to find the best solution for you.
Connecting plate			DN4/6 compression fitting M5 inside thread UNF 1/4".-28 inside thread
Eccentric			Other eccentricities are available to meet your operating point best.

ACCESSORIES			
Description	Illustration	Part No.	Details
Silencer		118819	For hose barbs
Silencer		314005	For DN4/6 connecting plate
Mounting plate		162405	Hole distance 43 x 22 mm. Inner diameter of the sleeve is 3.5 mm, screws are not included
Rubber-bonded metal		On request	

SPARE PARTS			
Description	Illustration	Part No.	Details
Spare part kit NMP850KP NMP850KT		123998 325539	One Kit per head containing valve and diaphragm. For a double head pump two kits are required.



DIGITAL CUSTOMIZATION

Thanks to digital technology, this pump can be quickly adapted to the customer's system. This is done by parametrizing the firmware of the integrated brushless motor at KNF.

The performance values for the series models shown on this data sheet were determined under test conditions. The actual performance values may differ and depend in particular on the usage conditions and therefore on the specific application, on the parameters of the components involved in the user's system and on any technical modifications carried out which deviate from the standard configuration or the as delivered condition.

If individual designs have been created for specific customers on the basis of series models, other technical performance data may apply.

Before operation begins, the relevant operating instructions and/or assembly or installation instructions should be read and the safety information contained in these instructions should be noted.

KNF reserves the right to make changes to the product and the associated documentation without prior notice to the customer.



www.knf.com