

A58H1

PHOTOELECTRIC ROTARY ENCODER



The encoder A58H1 is used to measure angular position of the key machine components, industrial robots, comparators, rotary tables, servo drives and to establish an informational link with DCC, NC or Digital Readout Units. The encoder has external flexible coupling.

The encoder is used in automatic control, on-line gauging, process monitoring systems, etc.

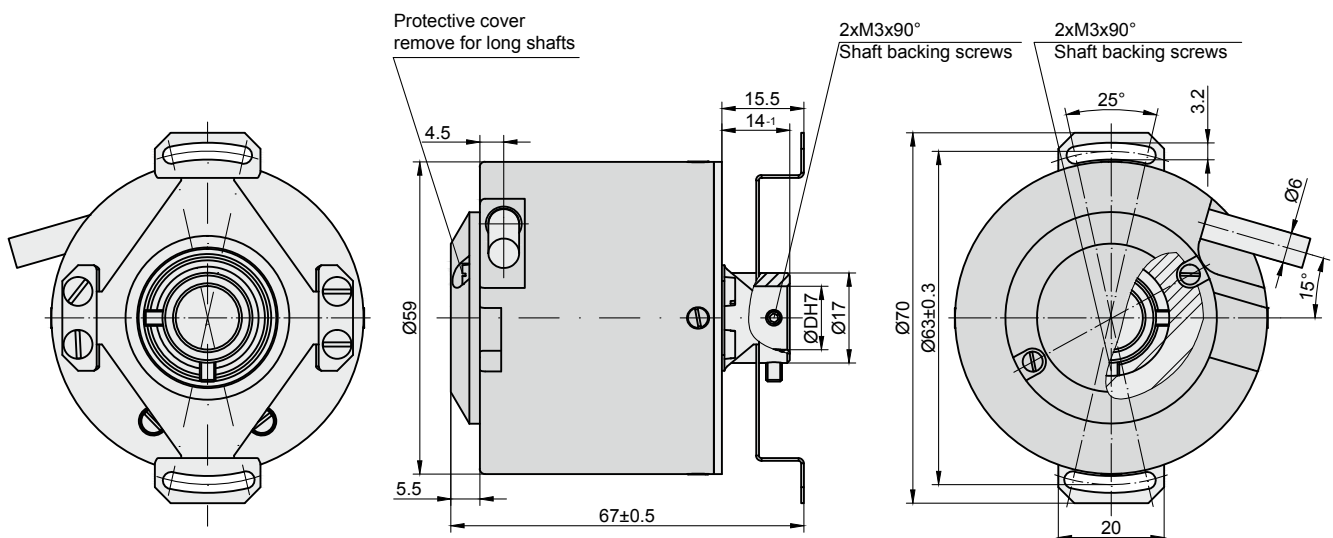
Three versions of output signals are available:

- A58H1-A - sinusoidal signals, with amplitude approx. 11 μ App;
- A58H1-AV - sinusoidal signals, with amplitude approx. 1 Vpp;
- A58H1-F - square-wave signals (TTL) with integrated subdividing electronics for interpolation x1, x2, x3, x4, x5, x8, x10.

MECHANICAL DATA

Line number on disc (z)	100 ;250; 500; 600; 800; 1000; 1024; 1125; 1250; 1500; 2000; 2048; 2500; 3000; 3600; 4000; 5000; 9000; 10800
Pulse number per shaft revolution for A58H1-F	Z x k, where k=1,2,3,4,5,8,10
Maximum shaft speed	10000 rpm
Permissible motion of shaft:	
- axial	± 0.03 mm
- radial (at shaft end)	0.05 mm
Accuracy (T_1 -period of lines on disc in arc. sec)	$\pm 0.1T_1$, arc. sec
Starting torque at 20°C	≤ 0.025 Nm

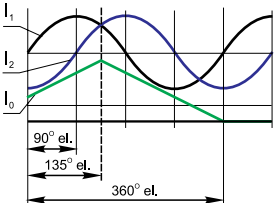
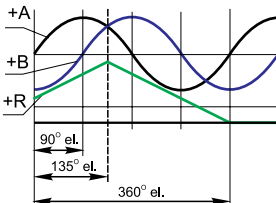
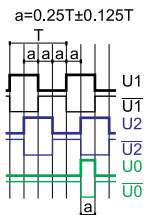
Rotor moment of inertia	$< 1.5 \times 10^{-4}$ kgm ²
Protection (housing) (IEC 529)	IP64
Protection (shaft side) (IEC 529)	IP64
Maximum weight without cable	0.3 kg
Operating temperature	-10...+70 °C
Storage temperature	-30...+80 °C
Maximum humidity (non-condensing)	98 %
Permissible vibration (55 to 2000 Hz)	≤ 100 m/s ²
Permissible shock (11 ms)	≤ 300 m/s ²



D, mm Ø 6 Ø 8 Ø 10 Ø 12 Ø 14* (on option)

*For one side fixation from encoder flange side

ELECTRICAL DATA

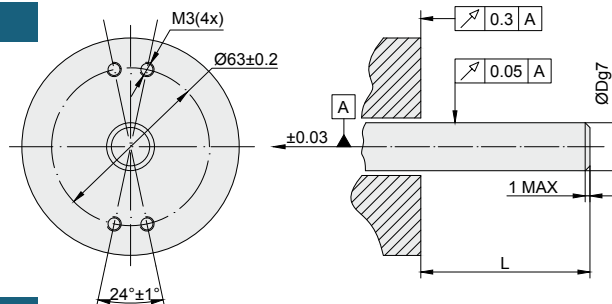
VERSION	A58H1-A $\sim 11 \mu\text{App}$	A58H1-AV $\sim 1 \text{Vpp}$	A58H1-F \square TTL; \square HTL
Supply voltage (U_p)	+5 V \pm 5%	+5 V \pm 5%	+5 V \pm 5%; +(10 to 30) V
Max. supply current (without load)	80 mA	120 mA	120 mA
Light source	LED	LED	LED
Incremental signals	Two sinusoidal I_1 and I_2 Amplitude at 1 k Ω load: - $I_1 = 7-16 \mu\text{A}$ - $I_2 = 7-16 \mu\text{A}$	Differential sine +A/-A and +B/-B Amplitude at 120 Ω load: - A = 0.6-1.2 V - B = 0.6-1.2 V	Differential square-wave $U1/\overline{U1}$ and $U2/\overline{U2}$. Signal levels at 20 mA load current: - low (logic "0") $\leq 0.5 \text{ V}$ at $U_p = +5 \text{ V}$ - low (logic "0") $\leq 1.5 \text{ V}$ at $U_p = 10 \text{ to } 30 \text{ V}$ - high (logic "1") $\geq 2.4 \text{ V}$ at $U_p = +5 \text{ V}$ - high (logic "1") $\geq (U_p - 2) \text{ V}$ at $U_p = 10 \text{ to } 30 \text{ V}$
Reference signal	One quasi-triangular I_0 , peak per revolution. Signal magnitude at 1 k Ω load: - $I_0 = 2-8 \mu\text{A}$ (usable component)	One quasi-triangular +R and its complementary -R per revolution. Signals magnitude at 120 Ω load - R = 0.2-0.8 V (usable component)	One differential square-wave $U0/\overline{U0}$ per revolution. Signal levels at 20 mA load current: - low (logic "0") $< 0.5 \text{ V}$ at $U_p = +5 \text{ V}$ - low (logic "0") $< 1.5 \text{ V}$ at $U_p = 10 \text{ to } 30 \text{ V}$ - high (logic "1") $> 2.4 \text{ V}$ at $U_p = +5 \text{ V}$ - high (logic "1") $> (U_p - 2) \text{ V}$ at $U_p = 10 \text{ to } 30 \text{ V}$
Maximum operating frequency	(-3 dB) $\geq 160 \text{ kHz}$	(-3 dB) $\geq 180 \text{ kHz}$	(160 x k) kHz, k-interpolation factor
Direction of signals	I_2 lags I_1 for clockwise rotation (viewed from shaft side)	+B lags +A for clockwise rotation (viewed from shaft side)	$U2$ lags $U1$ with clockwise rotation (viewed from shaft side)
Maximum rise and fall time	-	-	< 0.5 μs
Standard cable length	1 m, without connector	1 m, without connector	1 m, without connector
Maximum cable length	5 m	25 m	25 m
Output signals			

Note:

- Maximum working rotation speed (with proper encoder counting) is limited by maximum operating frequency and maximum mechanical rotation speed.
- If cable extension is used, power supply conductor cross-section should not be smaller than 0.5 mm².

MOUNTING REQUIREMENTS

L, mm	11 min for one side fixation
	56 min for both side fixation
	56 max for version with protective cover
	11 min for version without protective cover



ACCESSORIES

CONNECTORS FOR CABLE	B12 12-pin round connector	C9 9-pin round connector	C12 12-pin round connector	D9 9-pin flat connector	D15 15-pin flat connector	RS10 10-pin round connector	ONC 10-pin round connector
DIGITAL READOUT DEVICES	CS3000			CS5000			
EXTERNAL INTERPOLATOR	NK						

ORDER FORM

OUTPUT SIGNAL VERSION:	PULSE NUMBER PER REVOLUTION:	SHAFT HOLE DIAMETER:	SUPPLY VOLTAGE:	CABLE LENGTH:	CONNECTOR TYPE:
A AV F	1...100 ... 1...108000	6, 8, 10, 12, 14* mm *with additional hub for shaft mounting, for one side fixation from flange side	05V - +5V 30V - +(10 to 30)V* *only for A58H-F with HTL output	AR01 - 1m AR02 - 2m AR03 - 3m ...	W - without connector B12 - round, 12 pins C9 - round, 9 pins C12 - round, 12 pins D9 - flat, 9 pins D15 - flat, 15 pins RS10 - round, 10 pins ONC - round, 10 pins
ORDER EXAMPLES:		1) A58H1-AV-1024-6-05V-AR01/W 2) A58H1-F-4000-8-30V-AR06/C12 3) A58H1-F-4000/6000-8-30V-AR06/C12			