

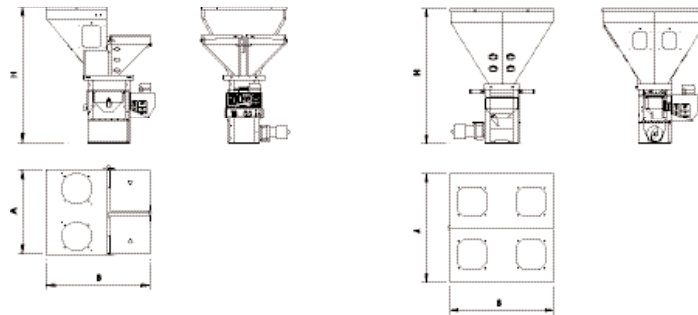


Doseur Gravimétrique Volumetric Dosing Units





Doseur Gravimétrique Volumetric Dosing Units



Fiche Technique Doseur - Dosing unit technical data

	Poids Lot Batch size	Composants Components	Vannes guillotines Slide gates	Vis d'alimentation Screw feeder	Production max Max capacity	Dimensions app. Dimensions app.	Poids app. Weight app.
	kg	N.	N.	N.	kg/h	AxBxH	kg
WSB-MB	0,4	4	4	0	45	410x410x600	23
WSB-MB-PLUS	0,4	4	4	0	64	410x410x600	23
WSB-140	1	4	4	0	200	730x670x820	68
WSB-140R	1	4	4	0		730x670x820	68
WSB-160	1	6	6	0		730x670x820	68
WSB-220	2	2	2	0	400	826x673x1067	100
WSB-221	2	3	2	1		826x673x1067	118
WSB-222	2	4	2	2		826x673x1067	136
WSB-240	2	4	4	0		1054x711x1168	105
WSB-241	2	5	4	1		1054x711x1168	123
WSB-242	2	6	4	2		1054x711x1168	141
WSB-240R	2	4	4	0		1054x711x1168	116
WSB-260	2	6	6	0		1054x711x1168	120
WSB-420	4	2	2	0	650	826x673x120	125
WSB-421	4	3	2	1		826x673x120	143
WSB-422	4	4	2	2		826x673x120	161
WSB-440	4	4	4	0		1054x711x1308	141
WSB-441	4	5	4	1		1054x711x1308	159
WSB-442	4	6	4	2		1054x711x1308	177
WSB-444	4	8	4	4		1054x711x1308	214
WSB-440R	4	4	4	0		1054x711x1308	157
WSB-460	4	6	6	0	1054x711x1308	161	
WSB-940	9	4	4	0	1800	1081x724x1524	191
WSB-941	9	5	4	1		1081x724x1524	209
WSB-942	9	6	4	2		1081x724x1524	227
WSB-944	9	8	4	4		1081x724x1524	264
WSB-960	9	6	6	0		1081x724x1524	195
WSB-1840	18	4	4	0	2270	1181x1029x2210	280
WSB-1841	18	5	4	1		1181x1029x2210	298
WSB-1842	18	6	4	2		1181x1029x2210	316
WSB-1860	18	6	6	0		1181x1029x2210	284
QAB-1866	18	12	6	6		1181x1029x2210	393