

# Safety Valves

## Type 06506



**Safety Valves, stainless steel,  
type tested TÜV-SV.948. Liquid/ Granular/ Powder**

Standard safety valve  
with FPM valve seal, closed bonnet,  
with diaphragm for protection of the spring, with lifting device,  
discharge holes with protection cap  
Inlet: male thread type G (BSPP) acc. to ISO 228/1

**Part No. 06506.X.1000**

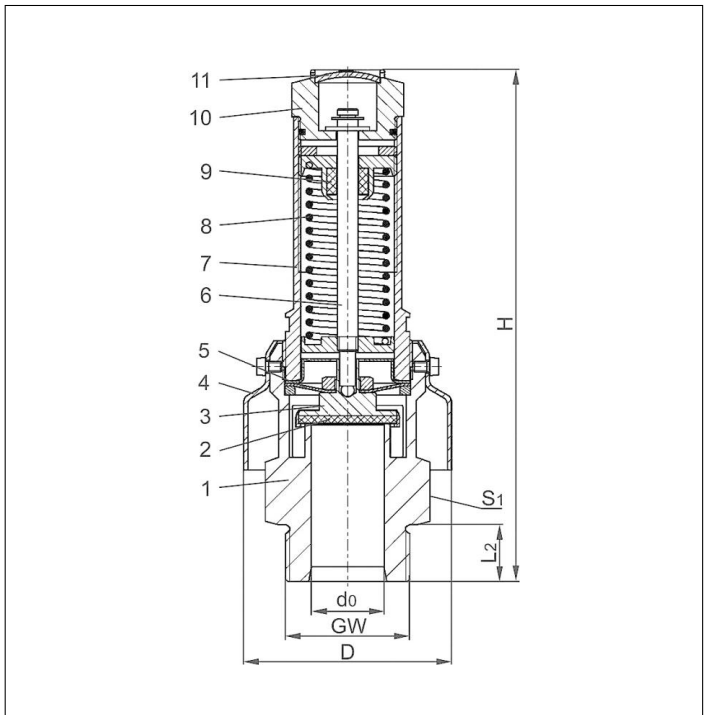


### Applications:

Provided as safety device for protection against excessive pressure in vehicle containers and pressure vessels. Approved for liquid, granular and powdery goods.

Working temperature: -40°C / -40°F (233K) up to +200°C / +392°F (473K)

Materials	DIN EN	ASME/ASTM
1 Body	1.4408	A 351 CF8M
2 Valve seal	FPM (Viton-GLT)	
3 Disc	1.4401	A 479 Grade 316
4 Protection cap	1.4301	A 479 Grade 304
5 Diaphragm	Silicon	
6 Stem	1.4401	A 479 Grade 316
7 Bonnet	1.4401	A 479 Grade 316
8 Spring	1.4571	A 313 Grade 316Ti
9 Stem guide	PTFE	
10 Lifting device	1.4401	A 479 Grade 316
11 Closing cap	1.4401	A 479 Grade 316



**Essential:** Valves are delivered at a set pressure, therefore when ordering please confirm set pressure, medium and temperature.

Standard marking acc. to Pressure Equipment Directive 2014/68/EU (PED).



Type 06506	Technical data (GW 2 in preparation)					
	Nominal size	GW	1	1-1/4	1-1/2	2
Orifice	d <sub>0</sub>	24	31	31	31	-
Dimension code	.X.	1000	3112	3114	3114	-
Set pressure range	bar	0.5-6.0	0.5-6.0	0.5-6.0	0.5-6.0	-
Height	H	194	191	191	191	-
Length	L <sub>2</sub>	18	22	22	22	-
Protection cap diameter	D	80	80	80	80	-
Wrench size across flats	S <sub>1</sub>	55	55	55	55	-
Weight	ca. kg	1.75	2.00	2.30	2.30	-
Coeff. of discharge from 3.0 bar	α <sub>w</sub>	0.62	0.68	0.68	0.68	-
Coeff. of discharge from 3.5 bar	α <sub>w</sub>	-	0.65	0.65	0.65	-
Coeff. of discharge from 4.5 bar	α <sub>w</sub>	0.57	-	-	-	-

Dimensions in mm.

# Safety Valves

## Type 06506



### Discharge capacities

Calculation of flow rate acc. to AD2000-Merkblatt A2

Medium:

Air in m<sup>3</sup>/h at 0°C and 1013.25 mbar

The capacity indicated below is for a fully opened valve.

d<sub>0</sub> - orifice

A<sub>0</sub> - flow area

Set pressure in bar (g)	GW	1	1-1/4	1-1/2	2
	d <sub>0</sub> (mm)	24.0	31.0	31.0	-
A <sub>0</sub> (mm <sup>2</sup> )	452.4	754.8	754.8	754.8	-
Medium	<b>Air</b>				
0.5		237	435	435	-
0.6		268	486	486	-
0.7		299	535	535	-
0.8		329	579	579	-
0.9		353	631	631	-
1.0		372	669	669	-
1.2		414	753	753	-
1.4		456	840	840	-
1.6		504	941	941	-
1.8		553	1031	1031	-
2.0		604	1123	1123	-
2.2		648	1200	1200	-
2.4		694	1277	1277	-
2.6		740	1354	1354	-
2.8		782	1431	1431	-
3.0		825	1511	1511	-
3.2		868	1588	1588	-
3.4		910	1665	1665	-
3.5		931	1628	1628	-
3.6		952	1665	1665	-
3.8		994	1739	1739	-
4.0		1036	1812	1812	-
4.2		1078	1886	1886	-
4.4		1120	1960	1960	-
4.5		1049	1997	1997	-
4.6		1069	2034	2034	-
4.8		1107	2107	2107	-
5.0		1148	2185	2185	-
5.2		1187	2259	2259	-
5.4		1226	2333	2333	-
5.6		1265	2407	2407	-
5.8		1304	2481	2481	-
6.0		1343	2555	2555	-