

Description de l'article/illustrations du produit



Description

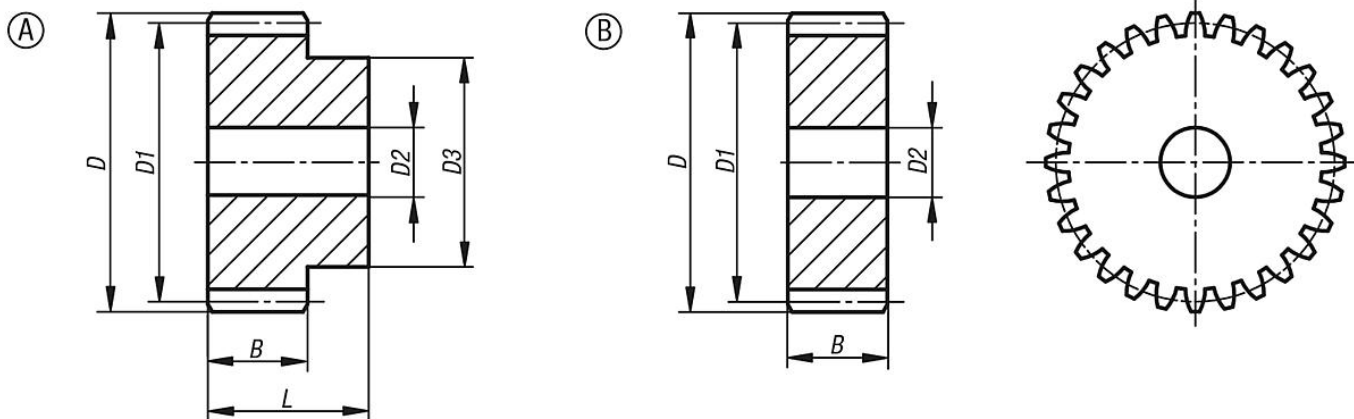
Matière :
Acier 1.0503 (C45).

Finition :
Denture fraisée, engrènement droit.
Angle de pression 20°, naturel.

Nota :
Jusqu'à 36 dents avec moyeu, à partir de 38 dents sans moyeu. Les engrenages possèdent un point de centrage ou sont pré-perçés.

Indication de dessin :
Forme A : avec moyeu
Forme B : sans moyeu

Dessins



Aperçu des articles

| Référence | Forme | B | D | D1 | D2 max. | D3 | L | Module | Nombre de dents |
|------------------|-------|----|-----|-----|---------|----|----|--------|-----------------|
| 22400-0140400012 | A | 40 | 56 | 48 | 14 | 35 | 60 | 4 | 12 |
| 22400-0140400013 | A | 40 | 60 | 52 | 14 | 40 | 60 | 4 | 13 |
| 22400-0140400014 | A | 40 | 64 | 56 | 14 | 45 | 60 | 4 | 14 |
| 22400-0140400015 | A | 40 | 68 | 60 | 14 | 45 | 60 | 4 | 15 |
| 22400-0140400016 | A | 40 | 72 | 64 | 16 | 50 | 60 | 4 | 16 |
| 22400-0140400017 | A | 40 | 76 | 68 | 16 | 50 | 60 | 4 | 17 |
| 22400-0140400018 | A | 40 | 80 | 72 | 16 | 50 | 60 | 4 | 18 |
| 22400-0140400019 | A | 40 | 84 | 76 | 16 | 60 | 60 | 4 | 19 |
| 22400-0140400020 | A | 40 | 88 | 80 | 16 | 60 | 60 | 4 | 20 |
| 22400-0140400021 | A | 40 | 92 | 84 | 16 | 70 | 60 | 4 | 21 |
| 22400-0140400022 | A | 40 | 96 | 88 | 16 | 70 | 60 | 4 | 22 |
| 22400-0140400023 | A | 40 | 100 | 92 | 20 | 75 | 60 | 4 | 23 |
| 22400-0140400024 | A | 40 | 104 | 96 | 20 | 75 | 60 | 4 | 24 |
| 22400-0140400025 | A | 40 | 108 | 100 | 20 | 75 | 60 | 4 | 25 |
| 22400-0140400026 | A | 40 | 112 | 104 | 20 | 75 | 60 | 4 | 26 |
| 22400-0140400027 | A | 40 | 116 | 108 | 20 | 75 | 60 | 4 | 27 |
| 22400-0140400028 | A | 40 | 120 | 112 | 20 | 75 | 60 | 4 | 28 |
| 22400-0140400029 | A | 40 | 124 | 116 | 20 | 75 | 60 | 4 | 29 |
| 22400-0140400030 | A | 40 | 128 | 120 | 20 | 75 | 60 | 4 | 30 |
| 22400-0140400031 | A | 40 | 132 | 124 | 20 | 80 | 60 | 4 | 31 |
| 22400-0140400032 | A | 40 | 136 | 128 | 20 | 80 | 60 | 4 | 32 |
| 22400-0140400033 | A | 40 | 140 | 132 | 20 | 80 | 60 | 4 | 33 |

Aperçu des articles

| Référence | Forme | B | D | D1 | D2 max. | D3 | L | Module | Nombre de dents |
|------------------|-------|----|-----|-----|---------|----|----|--------|-----------------|
| 22400-0140400034 | A | 40 | 144 | 136 | 20 | 80 | 60 | 4 | 34 |
| 22400-0140400035 | A | 40 | 148 | 140 | 20 | 80 | 60 | 4 | 35 |
| 22400-0140400036 | A | 40 | 152 | 144 | 25 | 80 | 60 | 4 | 36 |
| 22400-0240400038 | B | 40 | 160 | 152 | 25 | - | - | 4 | 38 |
| 22400-0240400040 | B | 40 | 168 | 160 | 25 | - | - | 4 | 40 |
| 22400-0240400045 | B | 40 | 188 | 180 | 25 | - | - | 4 | 45 |
| 22400-0240400048 | B | 40 | 200 | 192 | 25 | - | - | 4 | 48 |
| 22400-0240400050 | B | 40 | 208 | 200 | 25 | - | - | 4 | 50 |
| 22400-0240400052 | B | 40 | 216 | 208 | 25 | - | - | 4 | 52 |
| 22400-0240400055 | B | 40 | 228 | 220 | 25 | - | - | 4 | 55 |
| 22400-0240400057 | B | 40 | 236 | 228 | 25 | - | - | 4 | 57 |
| 22400-0240400060 | B | 40 | 248 | 240 | 25 | - | - | 4 | 60 |
| 22400-0240400065 | B | 40 | 268 | 260 | 25 | - | - | 4 | 65 |
| 22400-0240400070 | B | 40 | 288 | 280 | 25 | - | - | 4 | 70 |
| 22400-0240400075 | B | 40 | 308 | 300 | 25 | - | - | 4 | 75 |
| 22400-0240400076 | B | 40 | 312 | 304 | 30 | - | - | 4 | 76 |
| 22400-0240400080 | B | 40 | 328 | 320 | 30 | - | - | 4 | 80 |
| 22400-0240400085 | B | 40 | 348 | 340 | 30 | - | - | 4 | 85 |
| 22400-0240400090 | B | 40 | 368 | 360 | 30 | - | - | 4 | 90 |
| 22400-0240400095 | B | 40 | 388 | 380 | 30 | - | - | 4 | 95 |
| 22400-0240400100 | B | 40 | 408 | 400 | 30 | - | - | 4 | 100 |
| 22400-0240400110 | B | 40 | 448 | 440 | 30 | - | - | 4 | 110 |
| 22400-0240400114 | B | 40 | 464 | 456 | 30 | - | - | 4 | 114 |