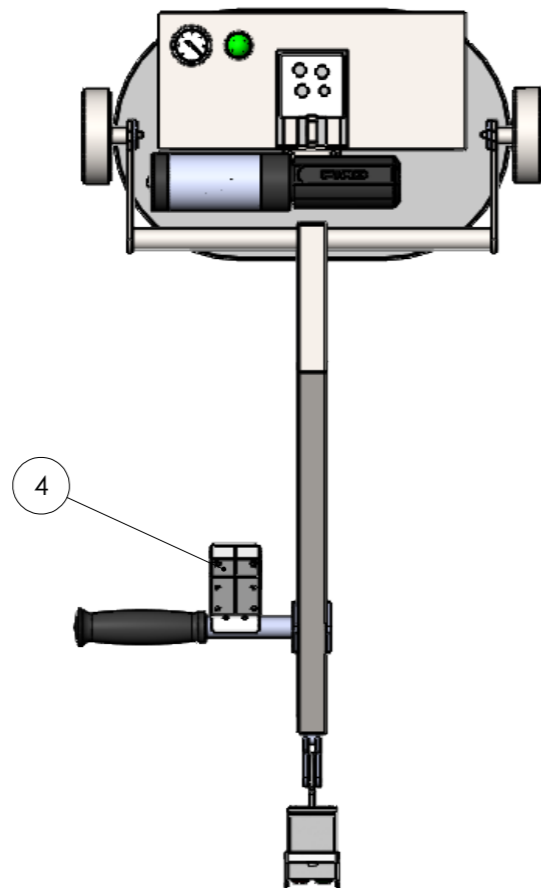
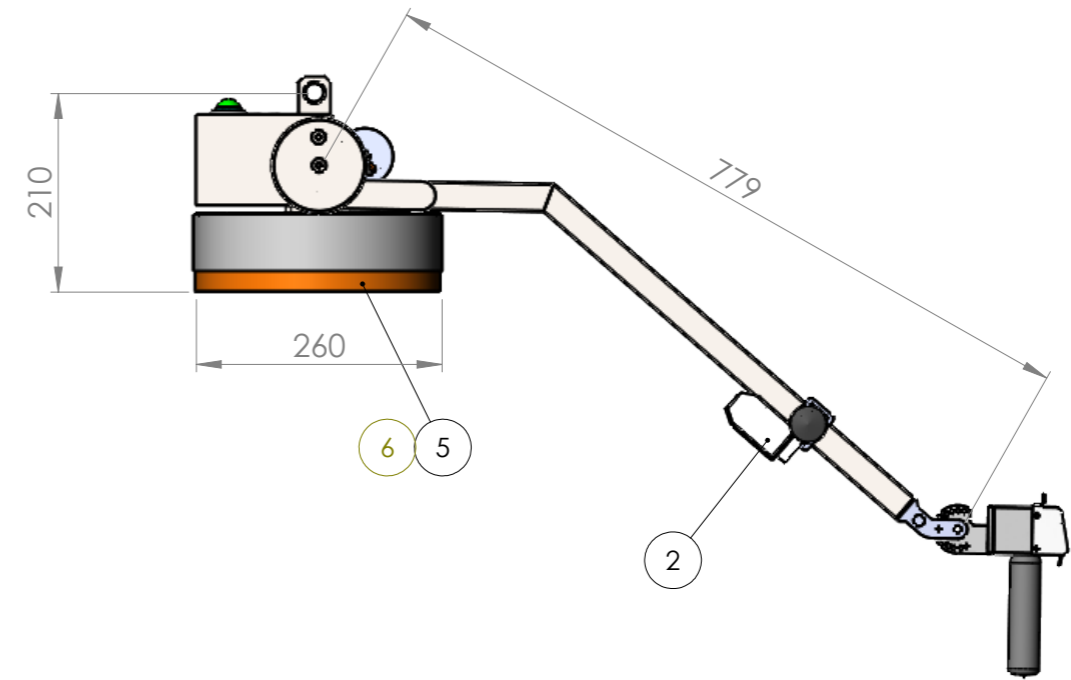
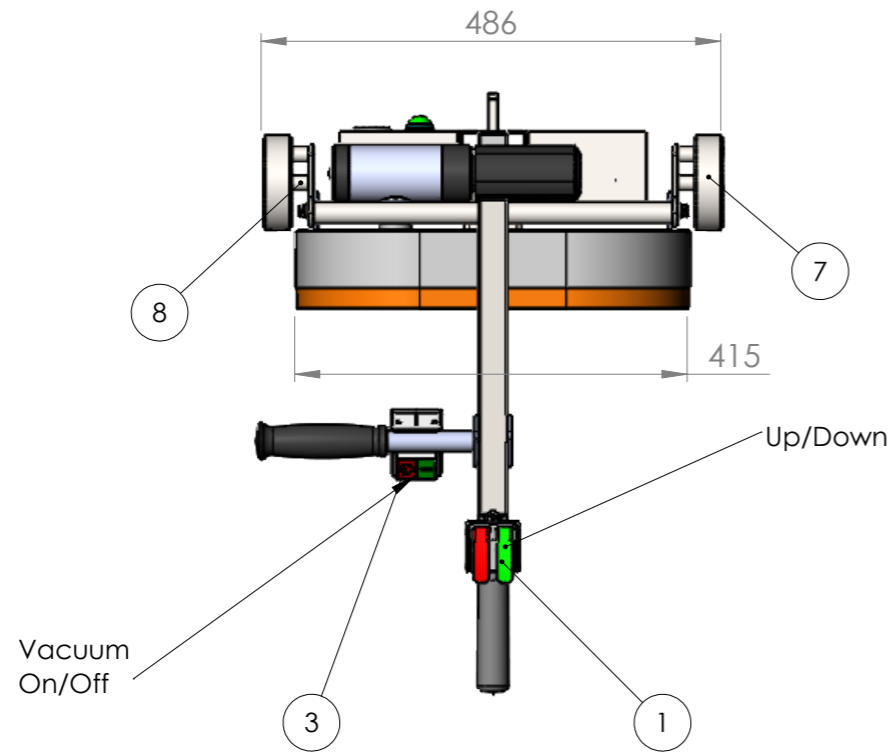


Ändr.Nr	Ändringens art / Ändringmedelände	Datum	Sign
-	-	-	-



Weight of gripper 14 kg

8	3	Distans /Liftsall	CE4629-09
7	2	Extra weigth /Liftsall	CE4629-10
6	1	Warepart /filter for sack gripper /Liftsall	RT204983
5	1	Warepart /list for sack gripper /Liftsall	RT204982
4	1	Fastening for buttons /Liftsall	RT204372
3	1	2-Buttons green-red /Parker	ZB4-BA8234
2	1	Mountingplate for valves/Parker	ZB4-BZ009
1	1	Pro-speed handle/Liftsall	-
Det.-nr	Ant.	Titel/benämning, beteckning, material, dimension o d	Artikel nr / Referens
Konstr O.D		Projekt Dale/Excelsior	Datum 141210
LIFTS ALL		Vacuum fixture special	A3
		CE4629-01 /89-10183	Skala 1:8 Blad 1/1 Revision A