

# 10.1" Capacitive Touch PC i5-7300u

FT101I5CAPOB



- Intel® Core™ i5-7300U CPU
- 8GB RAM memory, 128GB Industrial SSD
- Supports Windows 10 & Linux (32Bit, 64Bit)
- Anti-glare surface treatment (chemical etching)
- 10-Finger-Multi Touch Capacitive Touch Panel
- 1.1mm cover glass with 7H surface hardness
- Optically bonded Touch Panel to LCD Panel
- Patented IP65 front with silicon seal
- Integrated W-LAN
- 2 year guarantee

• *Optional: i3-7100U / i7-7600U Core CPU*

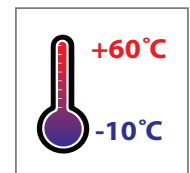


faytech's Capacitive PC series stands out among competition with its fanless silent operation, IP65 front panel design, high reliability and fine craftwork.

It is the perfect choice for industrial and business application. It has flat edge to edge glass with IP65 water- and dust proof front panels and a sturdy aluminum case with stable VESA 100 fixation bolts (VESA 400 for 32" and up).

The PC is powered by the high-end Kaby Lake U industrial mainboard. It has an Intel® Core™ i5-7300U processor with 2.60 GHz, 8GB RAM, a 128GB SSD and Intel®'s HD graphics Chipset.

These faytech PCs are the perfect choice for a wide variety of applications including POS systems, control panels in industrial fields, in kiosk systems, office/residence automation, digital signage and in areas like shopping malls, classrooms, hotels and many more.



<b>Product name</b>	<b>10.1" Capacitive Touch PC i5-7300U</b>
<b>Model number / EAN number</b>	<b>FT101I5CAPOB / 6920734010158</b>

<b>IP Rating</b>	
IP65 Front / IP40 Back	

<b>LCD Panel</b>	
Screen diagonal (Inch/cm)	10.1/25.65
Display active screen size (cm)	21.70×13.60
Aspect ratio	16:10
Physical resolution	1280×800
External Maximum showable resolution - HDMI, DP	1920×1200
Colours displayed	16.7M
Brightness (cd/m <sup>2</sup> )	350
Contrast	800:1
Typical reaction time Tr / Tf (ms)	10/15
Visual Angle horizontal / vertical (°)	170/170
Backlight / Backlight Lifetime (hours)	LED / 20,000

<b>Operation / Mechanical</b>	
Operating Temperature (°C)	-10 ~ +60
Humidity Range (RH)	10% - 90%
Net weight (kg)	2.30
Gross weight (kg)	4.00 (incl. cartonage)
Housing material	Rubber front case, Aluminum IPC back case
Housing (cm) L × W × H	27.80 × 20.36 × 5.83
Mounting	VESA 100

<b>Internal Connectors</b>		
1x SO-DIMM, max. 16 GB, DDR4 1866/2133 non-ECC, Single channel memory		
3x RS232/RS485 COM connectors switchable in BIOS		
1x 12V DC power connector (2-pin)	2x LCD Backlight control/LCD panel voltage box	
1x 5V/12V SATA power connector	1x SIM-card-Header (connected to MiniPCle)	
1x 4-pin SATA power connector	1x S/PDIF output pin header	
1x 8-bit Digital I/O interface	1x Line-out / Mic-in header	
1x Front Panel box header	1x Serial ATA 6Gb/s	2x USB 3.0 box header
1x MIPI CSI connector	1x LVDS box header	1x DIO connector

<b>PC System</b>	
CPU	Intel® Core™ i5-7300U Processor Kaby Lake
Chipset	Fintek F81866D
Graphic GPU	Intel® HD Graphics
Audio	Realtek ALC3236 Audio CODEC
Memory	8GB DDR4 non-ECC (max. 16GB)
Storage (switchable)	faytech Industrial 128GB SSD
Network	2x Realtek PCIe GB LAN 8111G (1000Mbps) M.2 E-key Wi-Fi module
Driver Support	Win10; Linux; 32Bit/64Bit
Preinstalled OS	Linux Ubuntu

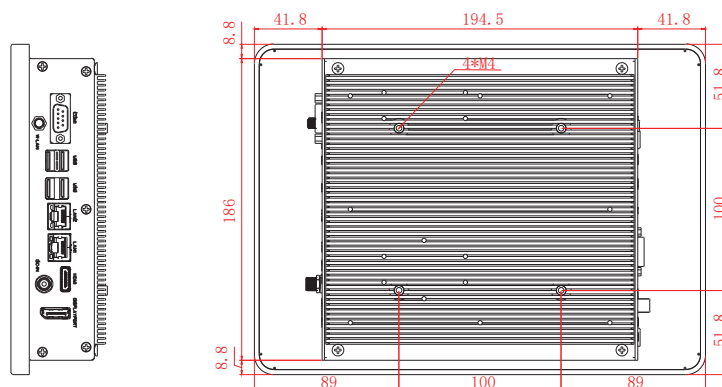
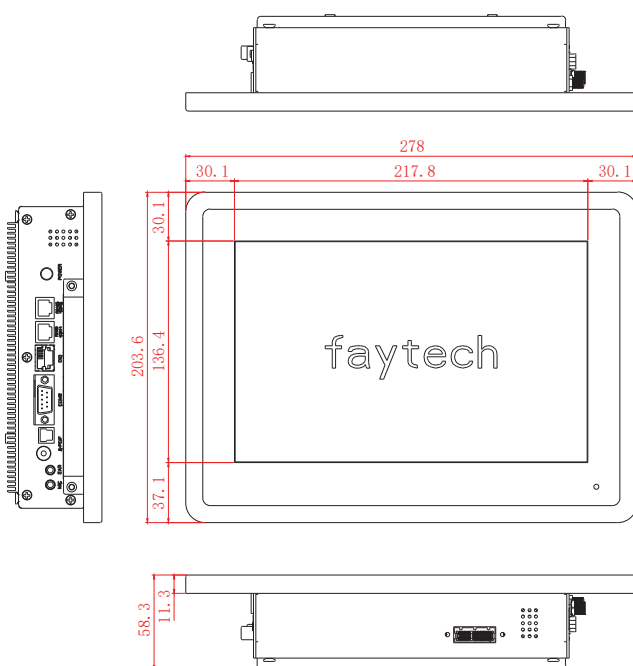
<b>Touch Panel</b>	
Touch Technology	Projected Capacitive 10-Point Multitouch
Touch Connector	USB
Touch Life (Contacts)	Unlimited
Surface Hardness	7H
Surface Treatment	Anti-glare (chemical etching)

<b>Power</b>	
Power Indicator	Green LED
Power Supply	100-240V ACDC active switching; 12V DC-Out
Working Power (V)	12
Power Consumption (W)	30
Stand-By Consumption (W)	<1

<b>External Connectors</b>	
1x 12V DC-In (screwable)	
1x HDMI	1x DP
2x USB 3.0	2x USB 2.0
1x LVDS	1x MIC-In & EAR-Out
1x 8-PIN DIO as RJ45	1x W-LAN antenna connector
2x COM port Full-PIN - RS232/485; 5V/12V	
2x COM port 3-PIN - RX, TX, GND; RS232/485; 5V/12V	
2x 10/100/1000Mbit RJ45 Ports	
1x S/PDIF-Out (1x Cinch, 1x Torx module)	
1x 2.5" module slot, changeable SSD included	

<b>Expansion slots</b>	
1x Mini PCIe + mSATA (with SIM card) (2x Full Height/Half height changeable)	
1x PCIeX1 Straddle Connector	
1x M.2 E-key for wireless device	

<b>Included in the Delivery</b>	
Power Supply (see Power section)	
W-LAN antenna	
Short Installation Manual	
Standard Stand	



Tolerance: ± 0.5mm

## Corporate Headquarters

**faytech AG**  
Bischhäuser Aue 10  
37213 Witzenhausen  
Germany

[support@faytech.com](mailto:support@faytech.com)  
[contact@faytech.com](mailto:contact@faytech.com)  
[www.faytech.com](http://www.faytech.com)

China: +86 755 8958 0612  
Germany: +49 5542 30374 10  
USA: +1 646 205 3214  
India: +91 11 49707436  
Japan: +070 4127 5167