

W25 // Head form B with protection tube // for SolarTemp 850 // 0...600 °C



W25

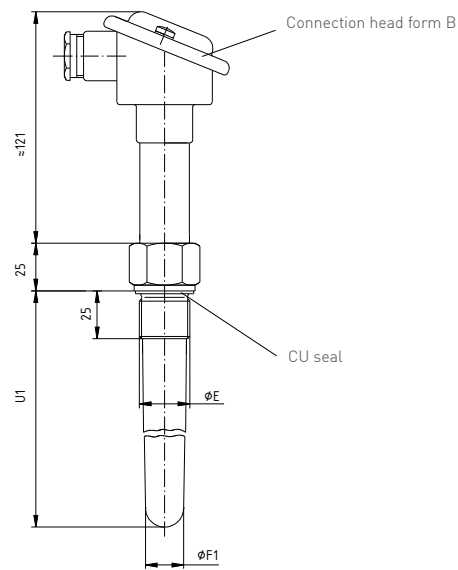
Your advantages

Type	W25
	<ul style="list-style-type: none"> • For exhaust gas temperature measurement in diesel and gas engines → Up to 600 °C Media temperature • Very high vibration resistance → Reliable and long-lasting operation • Customer-specific variant possible → Simple integration into plants / systems

Technical data	
Type	Temperature sensor with protection tube form 2 for SolarTemp 850
Measuring range	0...600 °C
Measuring medium	Exhaust gases marine diesel engines
Immersion tube length	100...200 mm
Immersion tube diameter	14, 17 or 20 mm conical
Process connection	G½, G¾, or M33 x 2
Nominal pressure	PN 25
Medium temperature	0...600 °C
Ambient temperature	-50...85 °C
Storage temperature	-25...70 °C
Degree of protection according to EN 60529	IP54

Electrical data	
Measuring element	1 x Pt1000 / 2-wire / Class B 2 x Pt1000 / 2-wire / Class B
Measuring insert	Interchangeable
Accuracy	Class B / $\pm(0.30 \text{ K} + 0.005 \times t)$
Electrical connection	Head form B with ceramic socket

W25

**Materials****Not in contact with media****Connection head**

Die-cast aluminium, silver painted

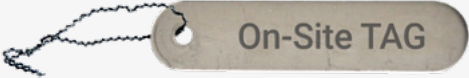
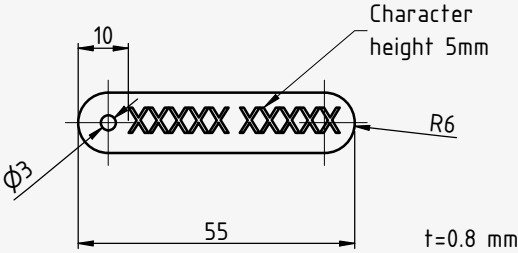
In contact with media**Process connection**

Stainless steel 1.4571 or steel 1.7335

Protection tube

Stainless steel 1.4571 or steel 1.7335

Order code								
Type								
Resistance thermometer	W							
Diameter F1								
14 / 17 mm conical up to 150 mm	14							
17 / 23 mm conical up to 150 mm	17							
20 / 23 mm conical from 150 mm	20							
Material								
Stainless steel 1.4571 (max. 450 °C)		3						
Steel 1.7335, heat resistant (max. 600 °C)		5						
Sensor element								
2 x Pt1000 2-wire / Class B				P53				
1 x Pt1000 2-wire / Class B				P54				
Nominal length L1								
100 mm					100			
150 mm					150			
200 mm					200			
Measuring insert								
Interchangeable						2		
Electrical connection								
Head form B with ceramic socket							B0	
Process connection d1								
G $\frac{1}{2}$								2T6
G $\frac{3}{4}$								3T6
M33 x 2								FT6
Example order number	W	14	3	P53	100	2	3	2T6

Accessories	Article number
<p>Measuring point designation</p> <p>Laser-inscribed stainless steel plate with fixing wire for easy attachment to measuring points</p> <ul style="list-style-type: none"> → Scope of delivery: Designation plate inscribed according to specification and enclosed fixing wire (sealing wire) → Fastening: Wire (included in delivery), alternatively sealing, cable ties or similar (not included in delivery) → Materials: Plate stainless steel 1.4571, wire stainless steel → Dimensions: Plate 55 x 10 x 0.8 mm, wire length 180 mm → Inscription: one-sided, single-line, max. 11 characters, character height 5 mm, designation width max. 40 mm, letters, numbers, symbols, barcodes, QR codes → Transmission of designations: digital list, file formats Excel, Word or CSV <div style="display: flex; align-items: center; justify-content: space-around; margin-top: 20px;">   </div>	<p>ONSITETAG</p>