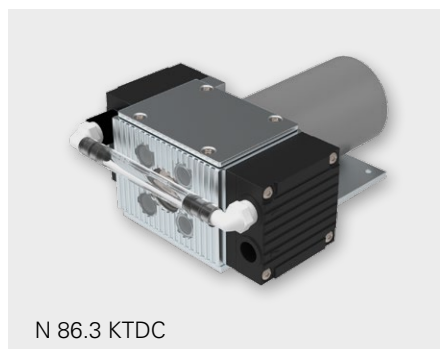
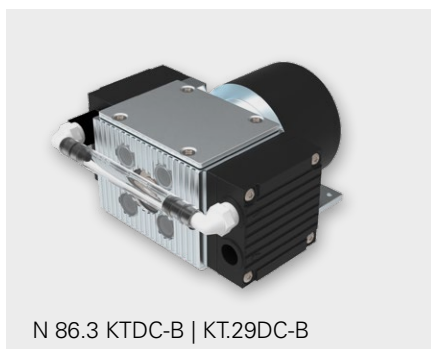


# N 86.3 SERIES VACUUM PUMPS AND COMPRESSORS



N 86.3 KTDC



N 86.3 KTDC-B | KT.29DC-B

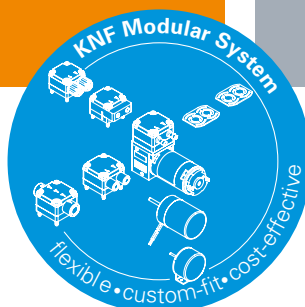
## ADVANTAGES

- High chemical resistance
- Robust design
- Copes well with vapor and condensation

## POSSIBLE AREAS OF USE

- Stationary emission measurement technology (CEMS)
- Mobile/portable gas measurement technology
- Instrumental analysis
- Medical technology – especially diagnostics

Please visit our website  
[www.knf.com](http://www.knf.com)  
to get more information



### PERFORMANCE DATA

| Series model                            | N 86.3      |          |           |
|---|-------------|----------|-----------|
| Material design                         | KTDC        | KTDC-B   | KT.29DC-B |
| Pump head                               | PPS         |          |           |
| Diaphragm                               | PTFE-coated |          |           |
| Valves                                  | FFPM        |          |           |
| Flow rate at atm. pressure (l/min)      | 5.5         | 4.2      | 1.7–4.2   |
| Ultimate vacuum (mbar abs.)             | 30          |          |           |
| Max. operating pressure (bar rel./psig) | 0.3/4.35    | 0.1/1.45 |           |
| Permissible ambient temperature (°C)    | +5 ... +40  |          |           |
| Permissible media temperature (°C)      | +5 ... +40  |          |           |
| Weight (kg/ lbs)                        | 0.8/1.8     |          | 0.7/1.5   |

### ELECTRICAL DATA

|                          |          |                    |  |
|--------------------------|----------|--------------------|--|
| Voltage (V)              | 24       |                    |  |
| Motor                    | DC Motor | Brushless DC motor |  |
| Protection class motor   | IP 20    |                    |  |
| Power P <sub>1</sub> (W) | 18.2     | 17                 |  |
| I <sub>max</sub> (A)     | 0.76     | 0.5                |  |

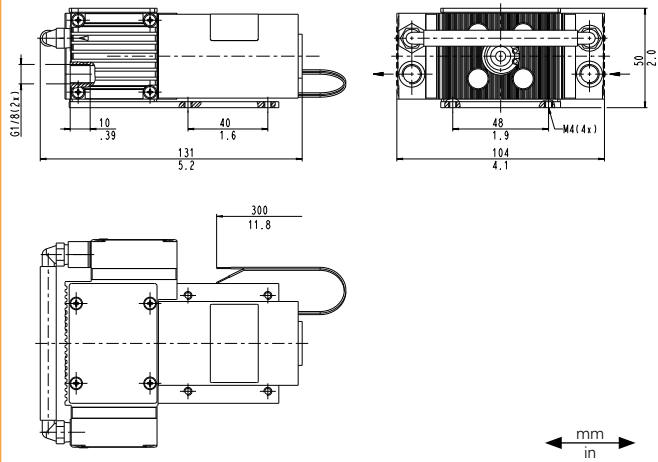
# N 86.3 KTDC

## PERFORMANCE DATA

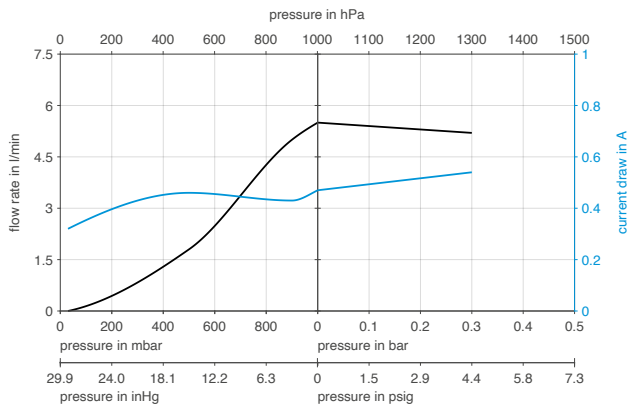
| Series model | Flow rate at atm. pressure (l/min) <sup>1)</sup> | Max. operating pressure (bar rel./psig) | Ultimate vacuum (mbar abs.) |
|--------------|--|---|-----------------------------|
| N 86.3 KTDC  | 5.5  | 0.3/4.35                                | 30                          |

<sup>1)</sup>Liter at STP

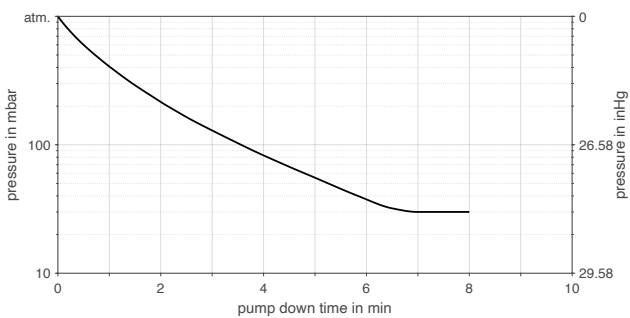
## N 86.3 KTDC



## N 86.3 KTDC



## N 86.3 KTDC | PUMP DOWNTIME FOR 5 LITER VESSEL



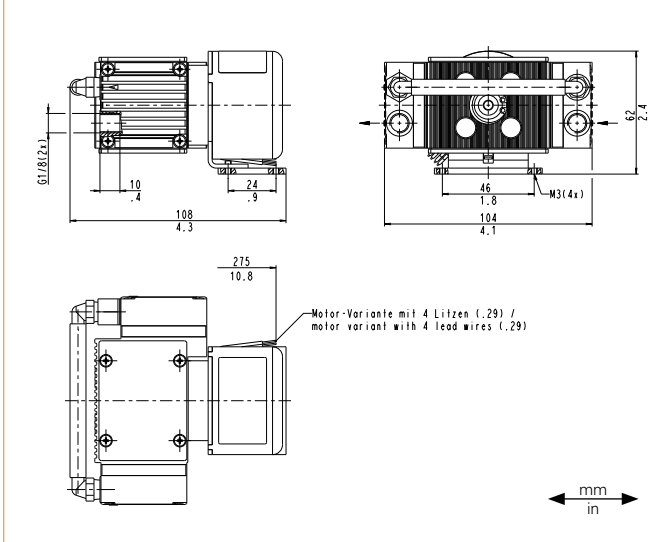
# N 86.3 KTDC-B | KT.29DC-B

## PERFORMANCE DATA

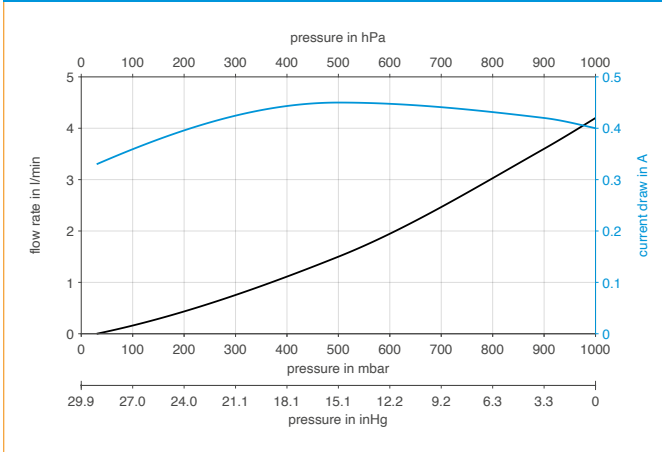
| Series model     | Flow rate at atm. pressure (l/min) <sup>1)</sup> | Max. operating pressure (bar rel./psig) | Ultimate vacuum (mbar abs.) |
|------------------|--|---|-----------------------------|
| N 86.3 KTDC-B    | 4.2  | 0.1/1.45                                | 30                          |
| N 86.3 KT.29DC-B | 1.7-4.2  | 0.1/1.45                                | 30                          |

<sup>1)</sup>Liter at STP

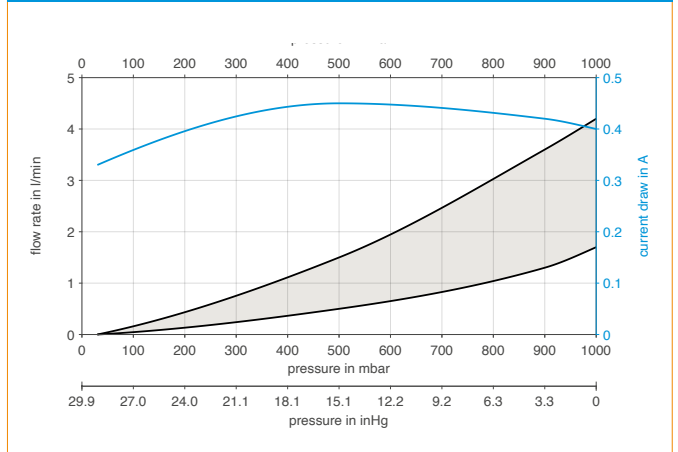
## N 86.3 KTDC-B (2 wire) | KT.29DC-B (4 wire)



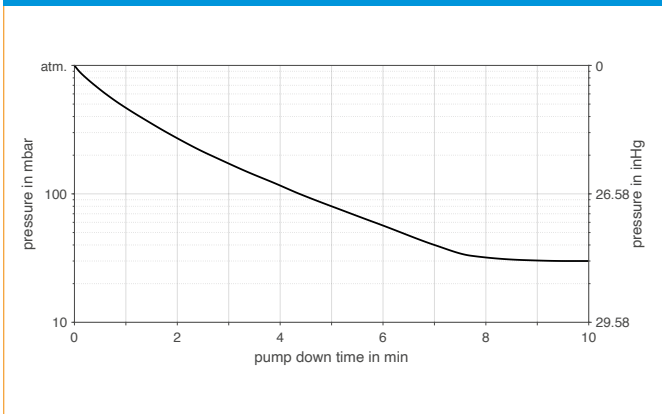
## N 86.3 KTDC-B





## N 86.3 KT.29DC-B




## N86.3 KTDC-B | KT.29DC-B PUMP DOWN TIME FOR 5 LITER VESSEL



## ACCESSORIES

| Description    | Illustration  | Part No. | Details      |
|----------------|---|----------|--------------|
| Silencer       |  | 000345   | D16x41, G1/8 |
| Inlet filter   |  | 000346   | G1/8         |
| Hose connector |  | 001936   | PA, R1/8     |
| Hose connector |  | 025671   | PVDF, G1/8   |

## ERSATZTEILE

| Description                | Illustration  | Part No. | Details   |
|----------------------------|---|----------|---|
| Spare parts kit N 86.3 KT_ |  | 342832   | Spare parts kit consists of:<br>2x structured diaphragm<br>4x valve<br>This set is required to maintain the pump. |

The performance values for the series models shown on this data sheet were determined under test conditions. The actual performance values may differ and depend in particular on the usage conditions and therefore on the specific application, on the parameters of the components involved in the user's system and on any technical modifications carried out which deviate from the standard configuration or the as delivered condition.

If individual designs have been created for specific customers on the basis of series models, other technical performance data may apply. Before operation begins, the relevant operating instructions and/or assembly or installation instructions should be read and the safety information contained in these instructions should be noted. KNF reserves the right to make changes to the product and the associated documentation without prior notice to the customer.



[www.knf.com](http://www.knf.com)