



sylvac sa

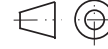
CH-1023 Crissier (Suisse)

e-mail : vente @ sylvac.ch
sav @ sylvac.ch
web site : www.sylvac.ch

Ref. Nr:

PM 279.011.071

Available for:



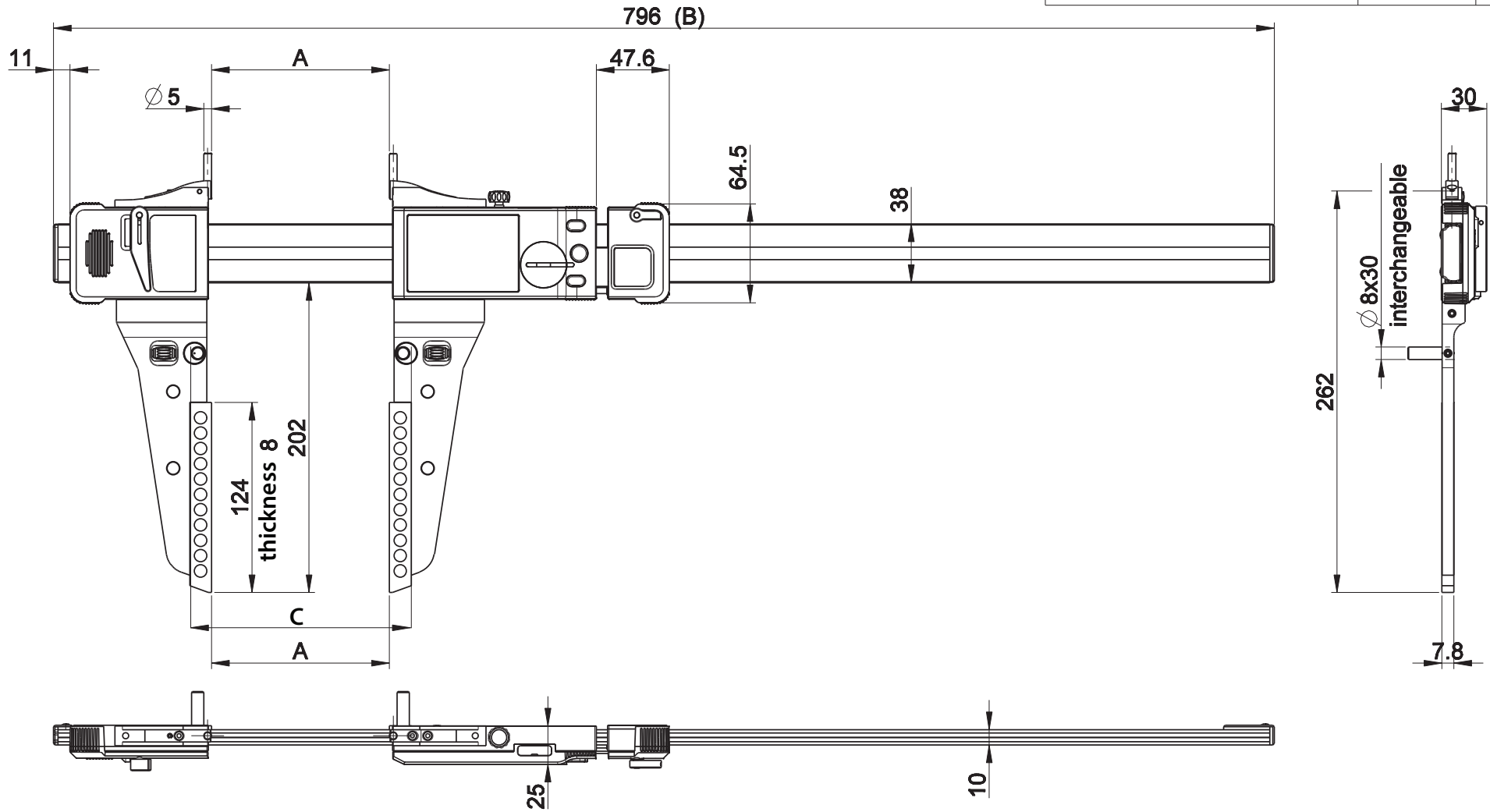
Rev. Date Visa

- 25-Mar-15 MTr

**Encombr. UL IV - 400
accessoires UL III**

Dimensions in mm

Type	A	B
400mm / 16"	0 - 478	796
600mm / 24"	0 - 683	1001
1000mm / 40"	0 - 1093	1411
1500mm / 60"	0 - 1608	1926
2000mm / 80"	0 - 2123	2441
2500mm / 100"	0 - 2638	2956
3000mm / 120"	0 - 3153	3471



Modèle:PM279_500_035(.prt/asm) Dessin:279_011_071 .dwt