

EDDY CURRENT PROBES



Content:

Technical Data2
Technical Drawing2
Electrical Connection3
Order Code4
Accessories4

Series WST

Key-Features:

- Contactless measurement on metal
- Measurement unaffected by oil, water or dust
- Measurement ranges from 0.8 to 4 mm (more on request)
- Linearity up to 1 %
- Resolution up to 0.4 μm
- Measurement frequency up to 50 kHz
- Analog output: 0...10 V, 0...20 mA, 4...20 mA
- Operating temperature -20...+125 °C
- Protection class up to IP65

TECHNICAL DATA SENSORS

		WST-0.8	WST-1.25	WST-2.5	WST-3	WST-4
Measurement range ¹⁾	[mm]	0.8	1.25	2.5	3	4
Sensitivity	[V/mm]	10	8	4	3.34	2.5
Resolution typical	[μ m]	0.4	0.5	1		2
Temperature stability typical ²⁾	[%/K]	0.02				
Protection class		IP65				
Operating temperature	[°C]	-20...+125				
Vibration resistance		5...500 Hz, 5 g (IEC 68-2)				
Shock resistance		40 g, 11 ms				
Connection		axial cable output (1.5 m) with Lemo connector				
Housing		stainless steel (1.4571)				
Weight (cable included)	[g]	24		30	36	42

¹⁾ Values for measurements on steel (ST37). Ranges for measurements on Al, Cu, Ms and CFK \approx 50 %. Ranges for measurements on Ti, Pb and VA \approx 75 %

²⁾ at 50 % measurement range at temperature +10...+90 °C.

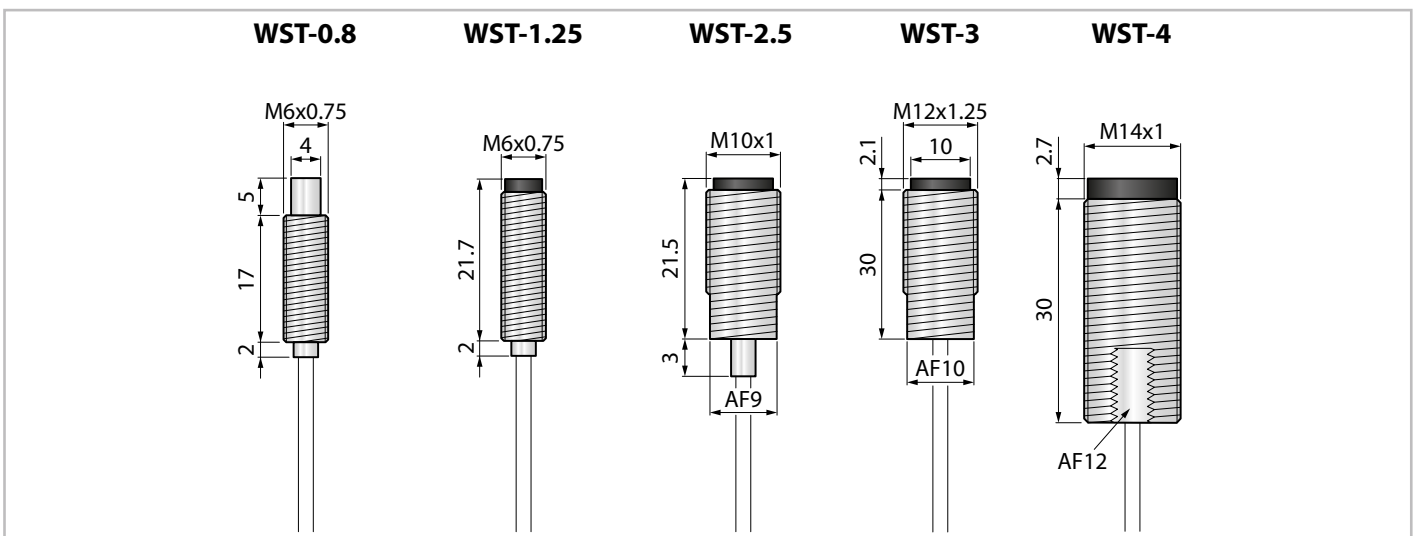
TECHNICAL DATA ELECTRONICS

		WAT-10V	WAT-020A	WAT-420A
Output		0...10 V	0...20 mA ²⁾	4...20 mA ²⁾
Linearity max. ¹⁾	[%]	1		
Initial non-linearity	[%]	approx. 10		
Frequency	[kHz]	5 / 20 / 50		
Supply	[VDC]	10...32		
Current consumption	[mA]	300		
Load resistance	[k Ω]	>10		<0.5
Residual ripple	[mV _{SS}]	\leq 10		
Protection class		IP40		
Operating temperature	[°C]	0...+50		
Connection		screw terminals		
Weight	[g]	340		
Mounting		DIN rail		

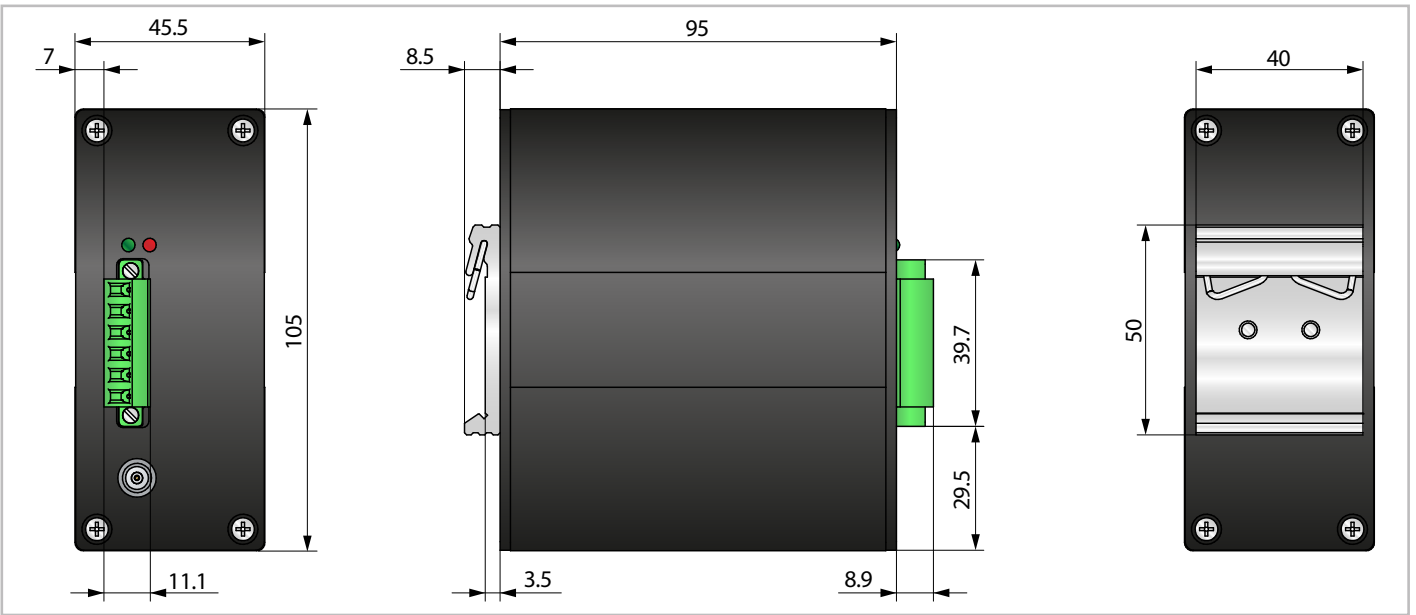
¹⁾ based on the measurement range

²⁾ the versions WAT-020A and WAT-420A additional feature a 0...10 V output.

TECHNICAL DRAWING SENSORS



TECHNICAL DRAWING ELECTRONICS



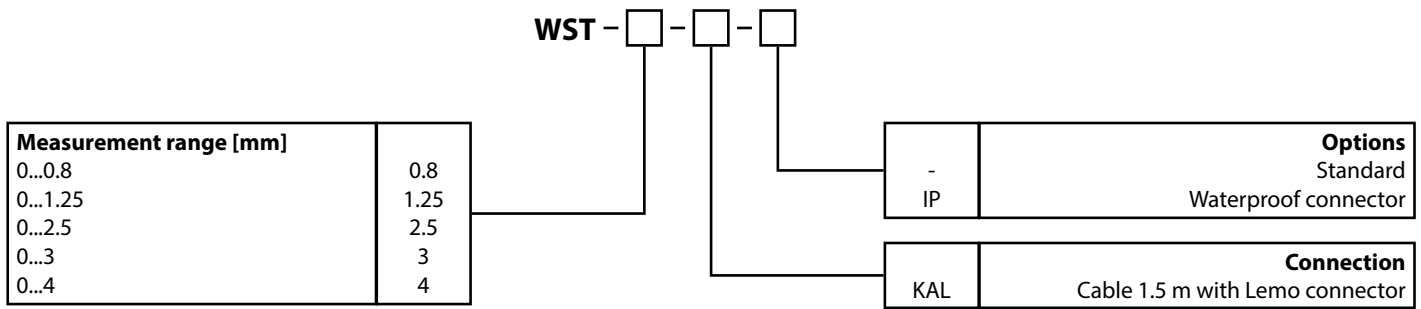
ELECTRICAL CONNECTION

Terminal	Function
1	+V
2	GND
3	0...20 mA / 4...20 mA ¹⁾
4	0 V ¹⁾
5	0...10 V
6	0 V

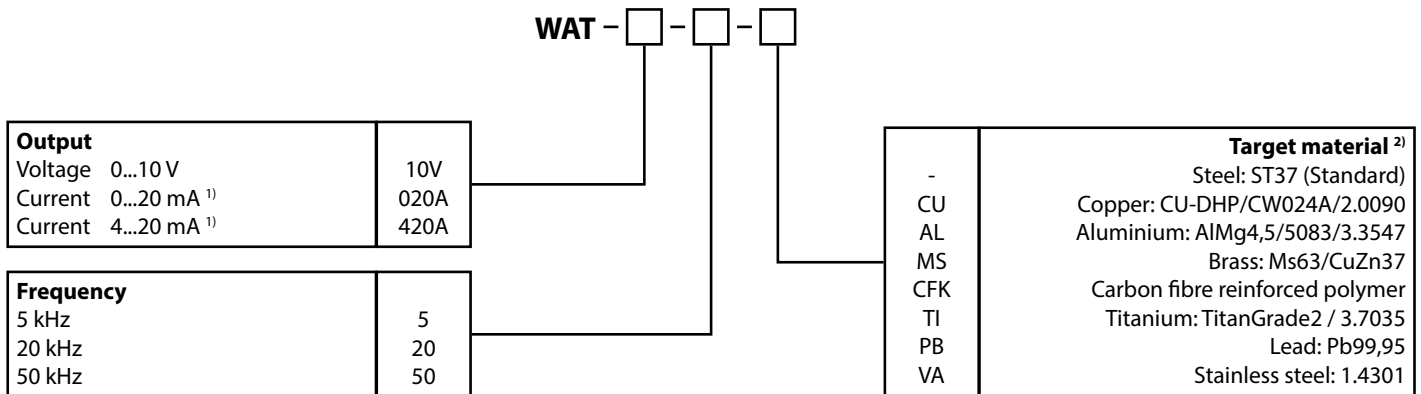
¹⁾ WAT-020A and WAT-420A only



ORDER CODE SENSORS



ORDER CODE ELECTRONICS



¹⁾ the versions WAT-020A and WAT-420A additional feature a 0...10 V output.

²⁾ Values for measurements on steel (ST37). Ranges for measurements on Al, Cu, Ms and CFK ≈50 %. Ranges for measurements on Ti, Pb and VA ≈75 %.
Other materials on request.

ACCESSORIES

K3.5L-MF Cable 3.5 m, Lemo female to Lemo male

K3.5L-MF-IP65 Cable 3.5 m, Lemo female to Lemo male, IP65

Please note that no more than two extension cables per sensor should be used, otherwise the linearity will be negatively affected.