

VKX15 // for insertion installation



VKX15 Push-In

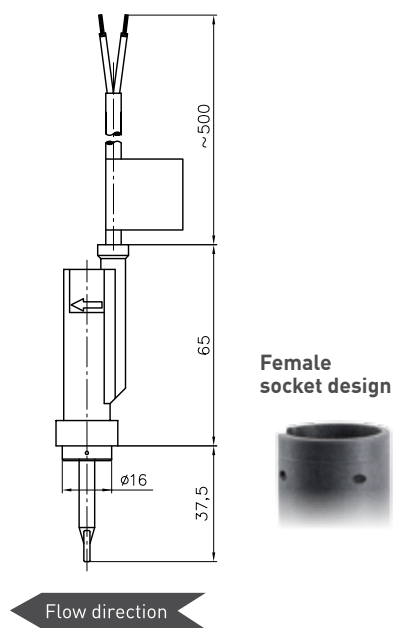
Your advantages

Series	VKX15 Push-In
	<ul style="list-style-type: none"> • Cost optimized version • Easy Push-in installation into manifolds or armatures

Technical data

Switching function	Contact closes at increasing flow
Setpoint	2.5 ±0.5 l/min*
Max. flow rate	15 l/min
Nominal diameter	DN 15
Pressure rating	PN 10
Temperature ranges	
Medium	-20...70 °C
Ambient	-20...70 °C
Electrical data	
Electrical connection	0.5 m PVC jacket cable
Degree of protection EN 60529	IP65
Max. Switching current	1 A
Max. Rating	26 VA, 20 W
Max. Switching voltage	230 VAC, 48 VDC or 24 VAC, 42 VDC
Protection class EN 60730-1	Class II or Class III

* Water, 20 °C, horizontal pipe, other setpoints on request



Materials in contact with fluid	
Body	PPE+PS Noryl™ 30 % glasfaserverstärkt
Paddle	PPE+PS Noryl™ 30 % glasfaserverstärkt
Pin	Edelstahl 1.4571
Magnet	Hartferrit
O-Ring	EPDM

Order code			
Type			
VKX15	VKX15M2P2		
Switching voltage			
230 VAC, 48 VDC		AP	
24 VAC, 42 VDC		BP	
Process connection			
Push-In for manifold mounting			H10
Example order number	VKX15M2P2	AP	H10