

UNO-3283G

Intel® Core™ i7 Automation Computer w/ 2 x GbE, 2 x mPCIe, HDMI, DVI-I

NEW



Features

- 6th Generation Intel® Quad Core Processors, up to 2.0 GHz with 8GB DDR4 Memory
- 2 x GbE, 6 x USB 3.0, 2 x RS-232/422/485, 1 x RS-422/485 (pin header), 1 x DVI-I, 1 x HDMI
- 1 x PCIe x16, 1x PCI, 2 x mPCIe (2 x full), 1x CFast slot, 1 x mSATA slot (optional)
- Thumb screw for easy maintenance
- Hot-Swappable HDD/SSD support for RAID 0/1
- Easily exchangeable RTC battery
- Supports Fieldbus Protocol by iDoor Technology
- Chassis Grounding Protection
- LAN Redundancy (Teaming)



Introduction

The high performing UNO-3283G models are configured with high-performance Intel Gen.6 Quad Core i7 processor and QM170 PCH, which offers users the maximum flexibility, up to three displays, six USB 3.0 ports, two mPCIe sockets, and up to three expansion slots including one PCIe x16 slot, one PCI slot and one iDoor expansion, iDoor technology supports automation feature extensions such as industry Fieldbus communication, POE, COM & Digital I/O. The UNO-3283G has a variety of convenient designs, captive thumb screw, dual hot-swappable HDD/SSD slots; the exchangeable RTC battery facilitates maintenance work, and dual power input helps ensure a stable power environment.

Specifications

General

- **Certification** CE, UL, CCC, FCC, BSMI
- **Dimensions (W x D x H)** 142 x 238 x 177 mm (5.6" x 9.3" x 6.9")
- **Form Factor** Regular Size
- **Mounting** Wall mount, Stand mount, Enclosure mount
- **Weight (Net)** 4.5kg (9.9lbs)
- **Power Requirements** 10-36 V_{DC}
- **Power Consumption** 30W (Typical @ 24W); 90W (Max. @ 24W)
- **OS Support** WIN7/8/10, WES7, Win10 Ent. LTSB, AdvLinuxTU

System Hardware

- **BIOS** AMI UEFI 128Mbit Flash BIOS
- **Watchdog Timer** Programmable 256 levels timer interval, from 1 to 255 sec (Timebase 100ms of trigger timer in AP mode is available)
- **Processor** Intel® Core™ i7-6822EQ 2.0GHz 6th gen Quad Core L2 Integrated Intel 100 Series Chipset
- **System Chip** Built-in 8GB DDR4 2133 MHz (Optional ECC RAM with selected RAM module)
- **Memory** Intel HD Graphics 100 series
- **Graphics Engine** LAN A: Intel® I219-LM GbE, Intel® AMT, IEEE802.1AS, 802.3az
- **Ethernet** LANB: Intel® I210-IT GbE, IEEE802.1AS, 802.3az
- **LED Indicators** LEDs for Power, LAN, Tx/Rx, battery and HDD
- **Storage** One mSATA slot; One CFast slot
Two built-in 2.5" SATA HDD brackets with support for RAID 0/1. (Compatible with 9.5mm height HDD)
- **Expansion** 1 x PCIe x16, 1 x PCI, 2 x Full-size mPCIe

I/O Interfaces

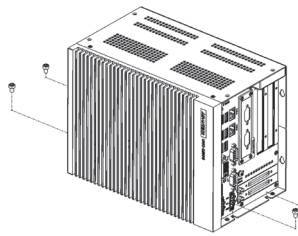
- **Serial Ports** 2 x RS-232/422/485 with DB9 connectors, automatic RS-485 data flow control, 2 x RS-232 (optional pin header)
- **LAN Ports** 2 x RJ45, 10/100/1000 Mbps IEEE 802.3u 1000Base-T Fast Ethernet
- **USB Ports** 6 x USB 3.0 Ports
- **Displays** 1 x DVI-I, supports 1920 x 1080 @ 60Hz 24bpp
1 x HDMI 1.4a, supports 1920 x 1080 @ 24Hz 24bpp
- **Audio** Mic-in, Line-In, Line-Out (Pin Header)
- **Power Connector** 2 x 3 Pin, terminal Block to support dual power input and relay output

Environment

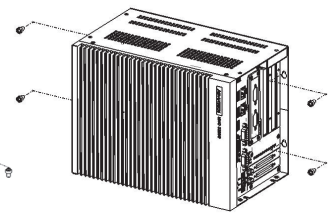
- **Operating Temperature** -20 ~ 60°C (-4 ~ 140°F) with 0.7m/s airflow environment
- **Storage Temperature** -40 ~ 85°C (-40 ~ 185°F)
- **Relative Humidity** 10 ~ 95% RH, non-condensing
- **Shock Protection** Operating, IEC 60068-2-27, 50G, half sine, 11ms
- **Vibration Protection** Operating, IEC 60068-2-64, 4Grms, random, 5 ~ 500Hz, 1hr/axis (SSD); 1.5Grms, random, 5 ~ 500Hz, 1hr/axis (HDD)

Installation Scenario

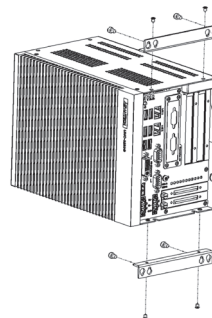
Stand mount



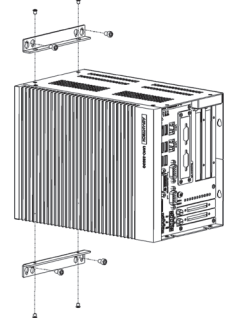
Wall mount 02



Enclosure Mount 01

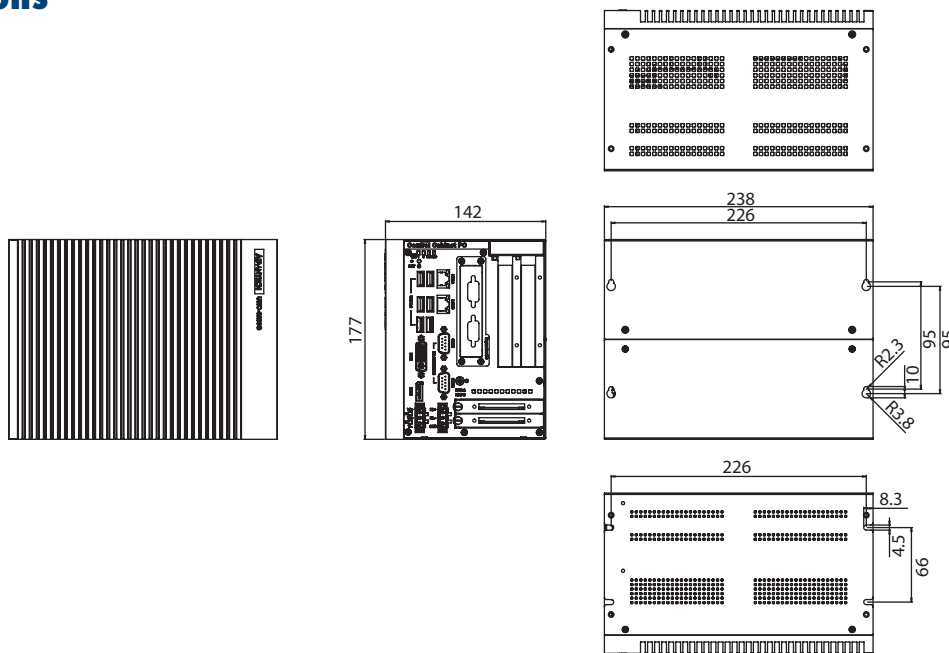


Wall mount 01

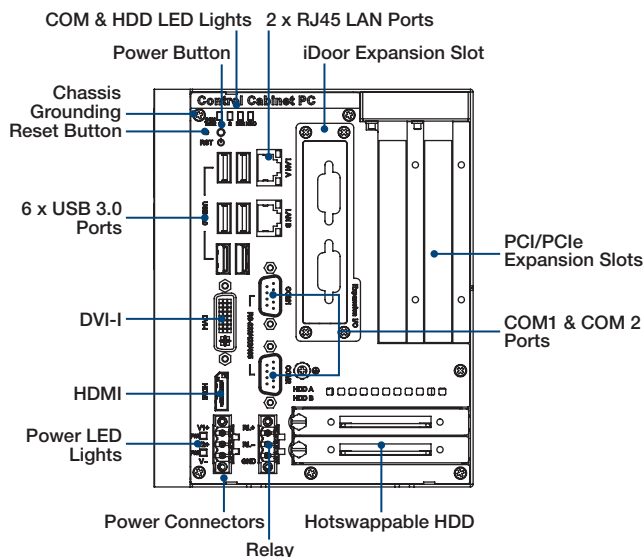


Dimensions

Unit: mm



I/O View



iDoor Modules

- **PCM-2300MR-AE** MR4A16B, 2MByte
- **PCM-26D1PB-AE** Hilscher netX100 FieldBus, ProfiBus, DB9 x 1
- **PCM-26D2CA-AE** SJA1000 CANbus, CANopen, DB9 x 1
- **PCM-24D2R4-AE** OXPcie-952 UART, Isolated RS-422/485, DB9 x 2
- **PCM-24D2R2-AE** OXPcie-952 UART, Isolated RS-232, DB9 x 2
- **PCM-24D4R4-AE** OXPcie-954 UART, Non-Isolated RS-422/485, DB37 x 1
- **PCM-24D4R2-AE** OXPcie-954, UART, Non-Isolated RS-232, DB37 x 1
- **PCM-27D24DI-AE** Digital I/O, 16DI / 8DO, DB37 x 1
- **PCM-24R1TP-AE** Intel 82574L, GbE, IEEE 1588 PTP, RJ45 x 1

Optional Accessories

- **96PSA-A150W24T2** 150W AC to DC power adapter
- **1702002600** Power Cable US Plug 1.8 M
- **1702002605** Power Cable EU Plug 1.8 M
- **1702031801** Power Cable UK Plug 1.8 M
- **1700000596** Power Cable China/Australia Plug 1.8 M

Embedded O/S

- **2070014705** Win10 IoT Enterprise LTSB X64 MUI. V6.00B001 UNO-328xG (i7) Image
- **2070014706** WES7P x64 MUI V4.14 B002 for UNO-328xG Image

Ordering Information

- **UNO-3283G-674AE** Intel Core™ i7-6822EQ 2.0GHz, 8GB, 2 x LAN, 1 x PCIe x16, 1 x PCI, 2 x Full-size mPCIe