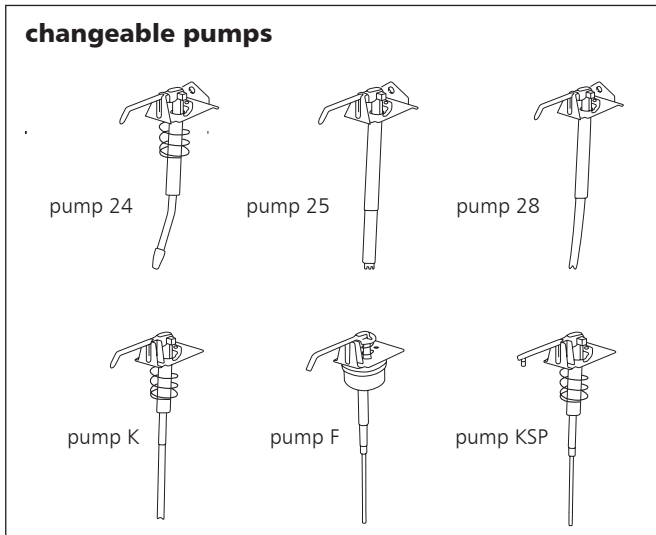
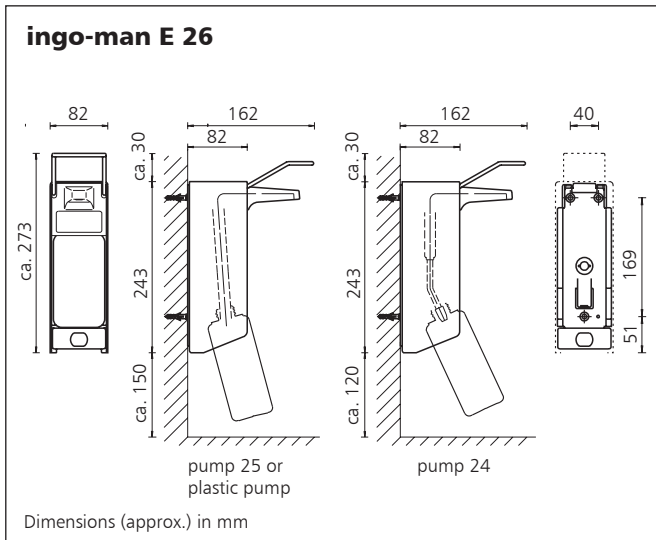


ingo-man® E 26 A

dispenser for soap and disinfectant • aluminium
with exchangeable pump • short operating lever
for disposable bottles, refillable

OPHARDT
hygiene

Ophardt Hygiene-Technik GmbH + Co. KG
Lindenau 27 • D-47661 Issum
Tel.: +49 2835 18-0 • Fax: +49 2835 18-77
E-Mail: info@ophardt.com • www.ophardt.com



Dispenser for soap and disinfectant

- ▶ dispenses liquid soaps, washing up liquids, alcoholic-based disinfectants, lotions, etc.
- ▶ ideal for hospital and medical domains
- ▶ for disposable 500 ml bottle
- ▶ with exchangeable pump

Technical Data

Housing: Aluminium, silver anodized
Dosing pump: pump 25, stainless steel, straight suction pipe, pump 24, stainless steel, bended suction pipe, pump 28, stainless steel, flexible suction pipe, pump K, plastic pump, pump F, plastic pump with foam generator, pump KSP, plastic spray pump for disinfectants
pumps 25+24+28 autoclavable at 134°C, 2 bar, pumps K+F+KSP dishwasher-proof
pump K, pump KSP approx. 1,5 ml/stroke, reducible in 3 steps, pumps 24, 25, 28 adjustable at approx. 0,7 ml/1,0 ml/1,5 ml (in dependence on Viskosity of the product)
Operating lever: Stainless steel
Wall bracket: Plastic
Marking clip: white (for product differentiation)
Wall mounting: with three plugs and screws

Description for tender

ingo-man E 26 A/25 Art.-No. 1220100
..... pcs.
dispenser for soap and disinfectant, 500 ml, aluminium, silver anodized, short operating lever, one clip, HDPE bottle, stainless steel pump 25, for cleaning of the pump remove it without mounting tools quick and easy backwards out of the dispenser - insert in vice versa per "push and click"-system
Dimensions: W 82 x H 273 x D 162 mm

ingo-man E 26 A/24 Art.-No. 1220000
..... pcs.
dispenser for soap and disinfectant, 500 ml, aluminium, silver anodized, short operating lever, one clip, HDPE bottle, stainless steel pump 24
for cleaning of the pump remove it without mounting tools quick and easy backwards out of the dispenser - insert in vice versa per "push and click"-system
Dimensions: W 82 x H 273 x D 162 mm

please turn round - resumption at the overleaf!

Continued tender:
ingo-man® E 26 A



Ophardt Hygiene-Technik GmbH + Co. KG
Lindenau 27 • D-47661 Issum
Tel.: +49 2835 18-0 • Fax: +49 2835 18-77
E-Mail: info@ophardt.com • www.ophardt.com

..... pcs. **ingo-man E 26 A/K Art.-No. 836900**
dispenser for soap and disinfectant, 500 ml,
aluminium, silver anodized, short
operating lever, one clip, HDPE bottle,
plastic pump,
for cleaning of the pump remove it without
mounting tools quick and easy backwards out
of the dispenser - insert in vice versa per
"push and click"-system
Dimensions: W 82 x H 273 x D 162 mm

..... pcs. **ingo-man E 26 A/28 Art.-No. 1414882**
dispenser for soap and disinfectant, 500 ml,
aluminium, silver anodized, short
operating lever, one clip, HDPE bottle,
stainless steel pump 28 with flexible plastic
suction pipe,
for cleaning of the pump remove it without
mounting tools quick and easy backwards out
of the dispenser - insert in vice versa per
"push and click"-system
Dimensions: W 82 x H 273 x D 162 mm

..... pcs. **ingo-man E 26 A/KSP Art.-No. 1412576**
dispenser for disinfectant, 500 ml,
aluminium, silver anodized, short
operating lever, one clip, HDPE bottle,
plastic spray pump for disinfectants,
for cleaning of the pump remove it without
mounting tools quick and easy backwards out
of the dispenser - insert in vice versa per
"push and click"-system
Dimensions: W 82 x H 273 x D 162 mm

..... pcs. **ingo-man E 26 A/F Art.-No. 1415729**
foam soaps dispenser, 500 ml,
aluminium, silver anodized, short
operating lever, one clip, HDPE bottle,
plastic pump with foam generator,
for cleaning of the pump remove it without
mounting tools quick and easy backwards out
of the dispenser - insert in vice versa per
"push and click"-system
Dimensions: W 82 x H 273 x D 162 mm

Product: **ingo-man®**
Manufacturer: OPHARDT HYGIENE-TECHNIK GmbH + Co. KG