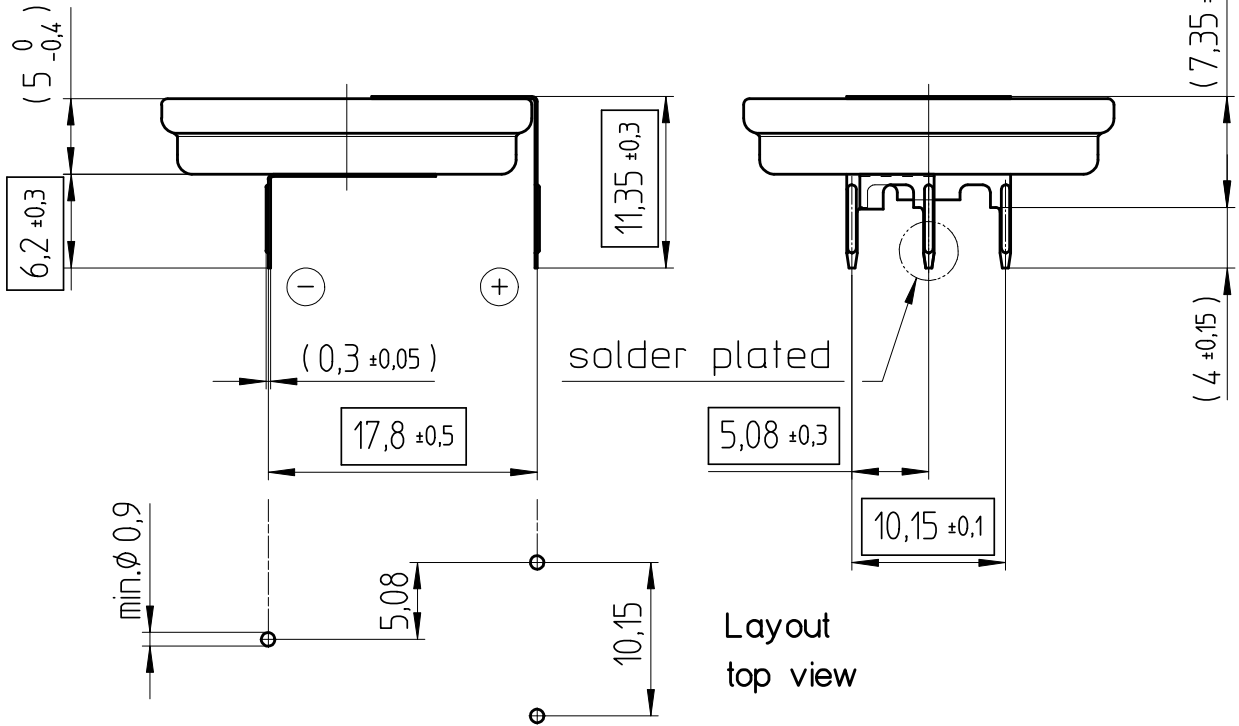
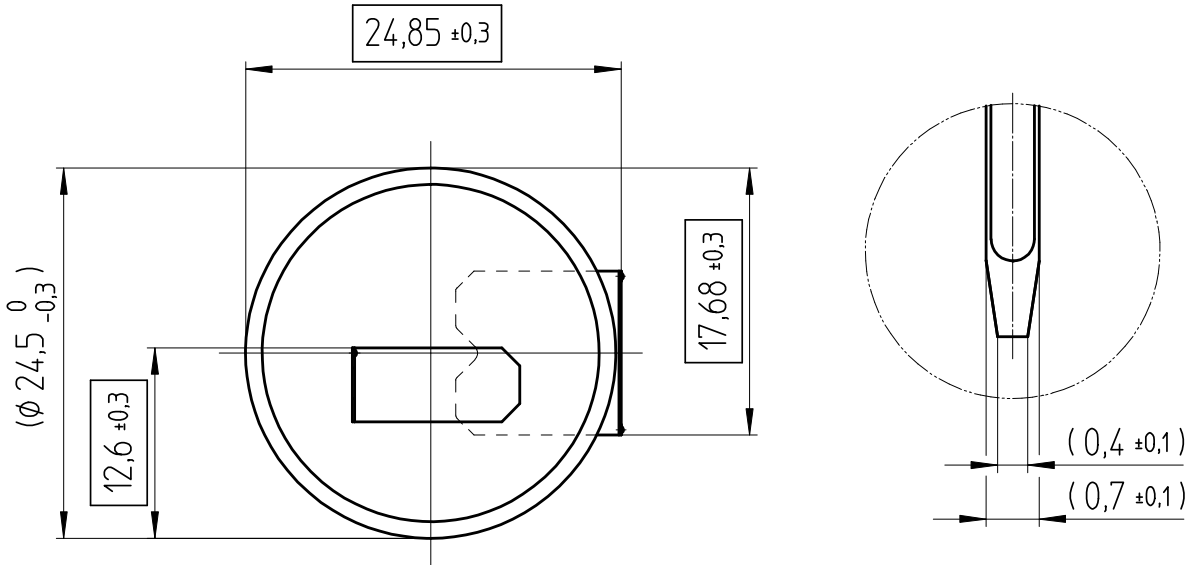


Art.-Number: 701097



- Samples can deviate in the execution from the serie.

Tab material: Stainless steel

All framed values will be used for dimension checking !

- Dimensions and tolerances can be specified only after the testing of the devices for the mass production definitely

Rev.	○			Rev.	○			Customer's Approval			
Rev.	○			Rev.	○			Date			
Rev.	○			Rev.	○			Signature			
Titel: <b>CR2450NRH-LF</b>								Scale 2:1	Drawn	05.01.05	SRi
									Checked	07.02.05	MHo
									Approved		
								CH-4452 Itingen Switzerland		3.8735.4-	