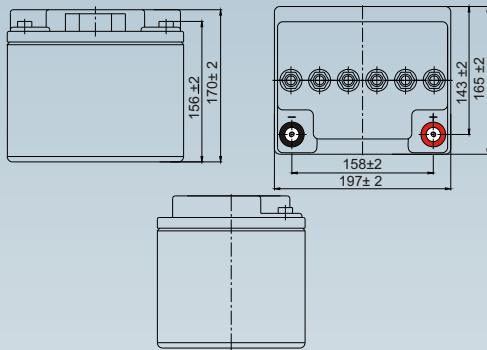


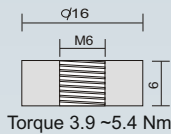
## PSGL Gel Series (For cyclic applications)

### Dimensions (mm)



### Standard terminal (mm)

#### T6 Threaded Insert 6mm Stud



Torque 3.9 ~ 5.4 Nm



### Physical Specification

Nominal Voltage		12V
Nominal Capacity		38.0 AH
Dimension	Length	197 ± 2 mm
	Width	165 ± 2 mm
	Container Height	170 ± 2 mm
	Total Height (with Terminal)	170 ± 2 mm
Weight		Approx 13.5kg
Standard Terminal		T6

## PSGL12380



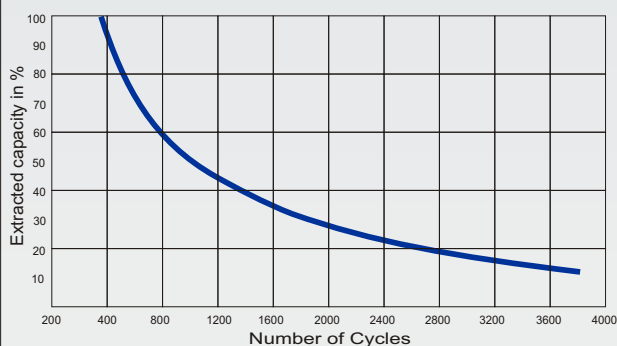
### Discharge Characteristics (25°C, 77°F)

Rated Capacity	20hr Rate(1.80V/cell)	38.00AH	Constant Voltage Charge	Cycle	Initial Charging Current Less than 9.5A Voltage 14.4V ~ 15.0V at 25°C (77°F)
	10hr Rate(1.80V/cell)	34.70AH			
	8hr Rate(1.75V/cell)	33.20AH			
	5hr Rate(1.75V/cell)	30.40AH			
Capacity Affected by Temperature	40°C (104°F)	103%	Standby	Recommended Charge Current less than 9.5A Voltage 13.5V ~ 13.8V at 15°C (77°F)	
	25°C (77°F)	100%			
	0°C (32°F)	86%			

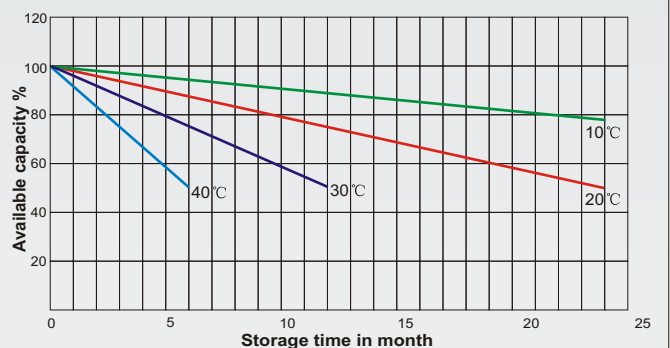
### Internal Resistance mΩ

Approx 10.5 mΩ

### Cycle Life in Relation to Depth of Discharge



### Relation of Capacity VS. Storage Time



Power-Sonic Europe Limited  
3 Buckingham Square, Wickford, Essex, SS11 8YQ  
Tel: +44 (0)1268 560686 Fax: +44 (0)1268 560902  
sales@power-sonic.co.uk  
www.power-sonic.co.uk