

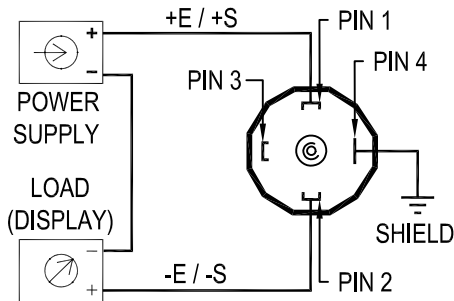
# FUTEK MODEL PMP450

# PRESSURE SENSOR (INDUSTRIAL)

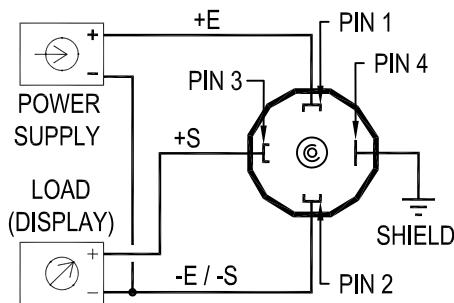
Drawing Number: FI1279-D

INCH [mm] | R.O.= Rated Output

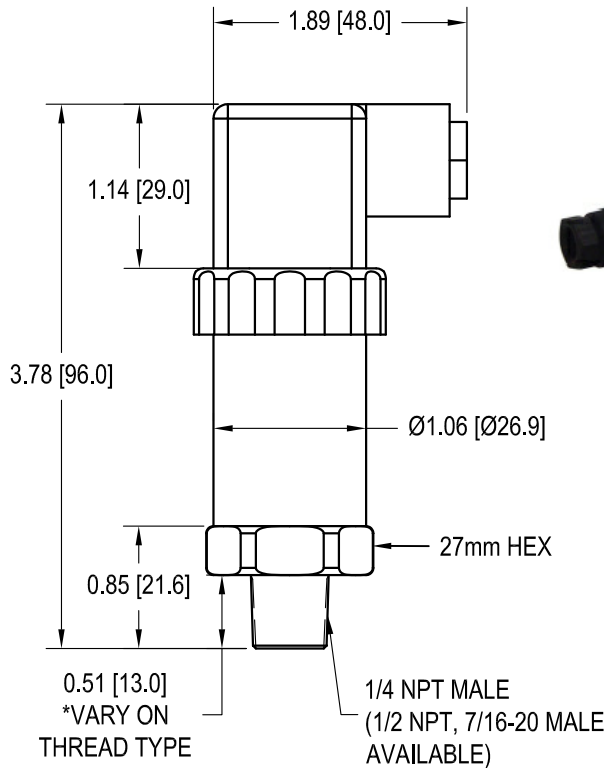
+Excitation	-Excitation	+Signal	-Signal
RED	BLACK	GREEN	WHITE



2-WIRE FOR CURRENT



3-WIRE FOR VOLTAGE



GAUGE / RELATIVE RANGES		
CAPACITY PSI	MAX PSI	BURST PSI
50 in. H2O	14	29
5	29	35
10	58	69
25	145	170
60	240	290
100	500	600
300	1160	1390
500	1160	5800
1000	1740	7970
2000	4600	14500
3000	7200	17400
5000	11600	24650
10000	17400	34800
15000	21750	43500

ABSOLUTE RANGES		
CAPACITY PSIA	MAX PSI	BURST PSI
15	58	69
25	145	170
50	240	290
100	500	600
250	1160	1390
500	1160	5800

## SPECIFICATIONS:

- RATED OUTPUT: 4-20 mA [0-10 VDC available]
- CAPACITY: See Chart
- MAXIMUM PRESSURE: See Chart
- BURST PRESSURE: See Chart
- EXCITATION: 10-30 VDC [14-30 VDC for Voltage Output]
- MAXIMUM LOAD (Ohm): (Excitation - 10V) / 0.02A [ $>10,000$  ohm for Voltage Output]
- ACCURACY:  $\pm 0.25\%$  of R.O. (BFSL)
- NONLINEARITY:  $\pm 0.2\%$  of R.O. (BFSL) ;  $\pm 0.4\%$  of R.O. (End Point)
- HYSTERESIS:  $\pm 0.15\%$  of R.O.
- NON-REPEATABILITY:  $\pm 0.10\%$  of R.O.
- RESPONSE TIME:  $\leq 1$ ms
- TEMP. SHIFT ZERO:  $\pm 0.011\%$  of R.O./ $^{\circ}$ F (0.02% of R.O./ $^{\circ}$ C)
- TEMP. SHIFT SPAN:  $\pm 0.011\%$  of LOAD/ $^{\circ}$ F (0.02% of LOAD/ $^{\circ}$ C)
- COMPENSATED TEMP.: 32 to 176 $^{\circ}$ F (0 to 80 $^{\circ}$ C)
- OPERATING TEMP. (MEDIUM): -22 to 212 $^{\circ}$ F (-30 to 100 $^{\circ}$ C)
- OPERATING TEMP. (BODY): -4 to 176 $^{\circ}$ F (-20 to 80 $^{\circ}$ C)
- STORAGE TEMP.: -40 to 212 $^{\circ}$ F (-40 to 100 $^{\circ}$ C)
- WEIGHT: Approx. 6.4 oz
- MATERIAL (BODY/WETTED PARTS): Stainless Steel
- CE CONFORMITY: 2004 /108/ EG EMC Directive  
EN 61 326 Emission Group 1, Class B  
Immunity Industrial Locations  
97/23/EC Pressure Equipment Directive
- SHOCK RESISTANCE: 1000g (IEC 60068-2-27)
- VIBRATION RESISTANCE: 20g (IEC 60068-2-6)
- WIRING PROTECTION: Reverse Polarity, Overvoltage and Short Circuit
- CONNECTOR: DIN EN 175301-803 (DIN 43 650) w/ Plug Connector
- CALIBRATION: CERTIFICATE OF CONFORMANCE INCLUDED  
NIST TRACEABLE 5 pt. CALIBRATION AVAILABLE



This drawing is submitted solely for the information and exclusive use of the original addressee. It is not to be divulged in whole or in part, by any firm or individual without written permission from FUTEK

CAGE CODE # 1X8M6

10 THOMAS  
IRVINE, CA 92618 USA  
1-800-23-FUTEK (38835)

INTERNET:  
<http://www.futek.com>