

VHS, VH3 // with pipe tee



Your advantages

Series	VHS / VH3
	<ul style="list-style-type: none"> • Robust metal version for high maximum flow rates • Brass or stainless steel version, pipe tee DN 8...50

Technical data

Switching function	Contact → closes at increasing flow → opens at decreasing flow Reversing possible
Pressure rating	PN 25
Temperature ranges	
Medium	-25...110 °C
Ambient	-25...80 °C
Electrical data	
Electrical connection	Plug connector DIN EN 175301-803-A incl. cable socket 1.5 m PVC jacket cable
→ VHS	
→ VH3	
Switching current	Max. 1 A
Switching voltage	Max. 230 VAC, 48 VDC
Rating	Max. 26 VA, 20 W
Degree of protection EN 60529	IP65
Protection class EN 60730-1	Class II
Approvals	



Options

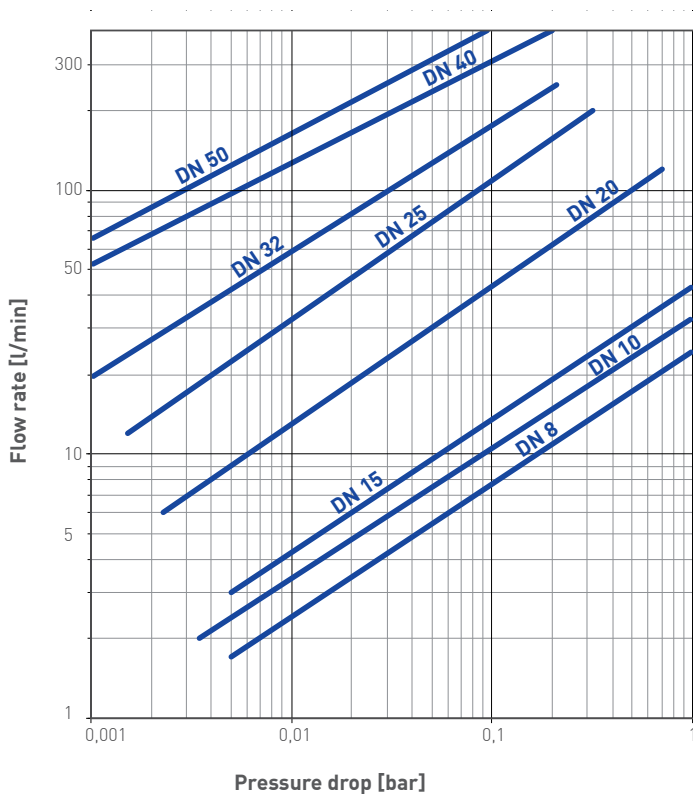
For type	See order code
VHS	→ Plug connector DIN EN 175301-803-A incl. cable socket with two LED for switching voltages 24 V...230 V AC/DC ±20 %, ambient temperature -20...70 °C → or 4-pin-sensor plug M12 x 1
VHS / VH3	→ For use in potentially explosive atmospheres (Version VH...X) max. media temperature 100 °C

Nominal diameter	Thread connection D ₁	Setpoint ranges [l/min]*				Max. flow rate [l/min]
		VHS		VH3		
		Increasing flow ON	Decreasing flow OFF	Increasing flow ON	Decreasing flow OFF	
DN 8	G¼	2.1...2.7	1.8...2.4	1.9...2.5	1.7...2.3	45
DN 10	G⅜	2.5...3.2	2.2...2.9	2.4...3.0	2.1...2.8	60
DN 15	G½	3.4...4.2	3.0...3.8	3.2...4.0	3.0...3.8	67
DN 15	G½ male**	2.5...3.2	2.2...2.9	2.4...3.0	2.1...2.8	60
DN 15	G¾ male**	2.5...3.2	2.2...2.9	2.4...3.0	2.1...2.8	60
DN 20	G¾	7.0...9.1	6.4...8.2	6.6...8.2	6.3...7.8	120
DN 25	G 1	13.5...17.0	12.0...15.5	13.0...15.5	12.5...15.0	195
DN 32	G 1¼	15.5...20.5	14.5...19.0	14.5...18.0	13.5...17.0	240
DN 40	G 1½	26.5...34.5	25.5...32.5	25.0...31.0	24.0...30.0	400
DN 50	G 2	39.5...51.0	39.0...50.0	37.5...47.5	36.5...46.5	400

* Water, 20 °C, horizontal pipe, tolerance ±15 %

** Only available as brass version

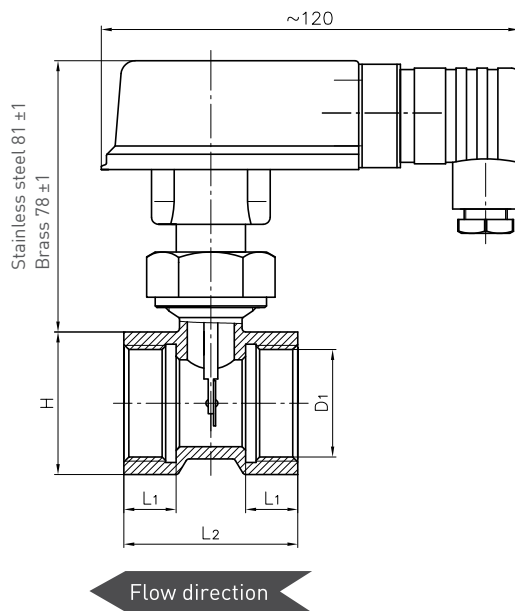
Typical pressure drop



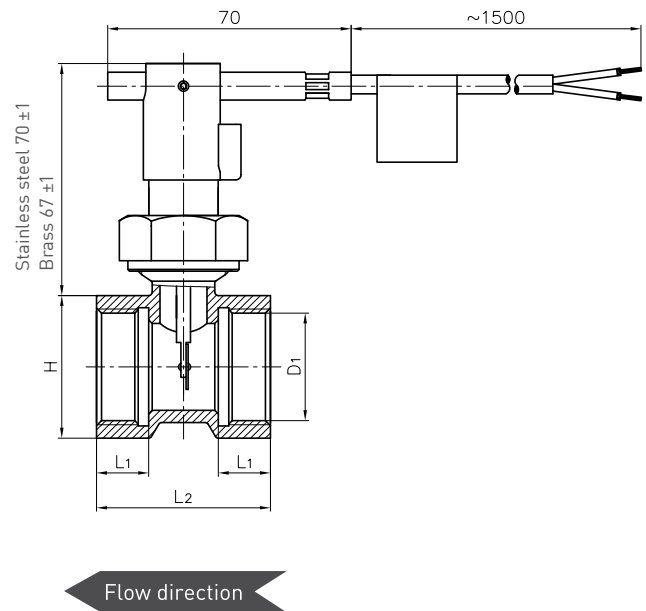
Dimensions [mm]

Thread connection D ₁	L ₁	L ₂	H	L ₁	L ₂	H
	Brass version			Stainless steel version		
G $\frac{1}{4}$	11	50	27	11	50	27
G $\frac{3}{8}$	11	50	27	11	50	27
G $\frac{1}{2}$	11	50	27	11	50	27
G $\frac{1}{2}$ (male)	10	60				
G $\frac{3}{4}$ (male)	11	50				
G $\frac{3}{4}$	15	50	32	15	50	32
G 1	15	50	41	15	50	41
G 1 $\frac{1}{4}$	15	50	48	15	50	46
G 1 $\frac{1}{2}$	15	50	55	15	50	55
G 2	22	64	70	15	50	70

VHS



VH3



Materials in contact with fluid

	Brass version	Stainless steel version
Body, Paddle	Brass CW614N	Stainless steel 1.4571
Pipe tee	Brass CW617N	Stainless steel 1.4571
Bushing	PPE+PS Noryl™ 30 % glass fibre reinforced	PVDF
Rivet	Brass CW508L	Stainless steel 1.4303
Pin	Stainless steel 1.4571	
Magnet	Hard ferrite	
O-ring	NBR	

Order code										
Type										
VHS										
Plug connector incl. cable socket (standard)		VHS		7						
Plug connector incl. cable socket with LED (option)		VHS		9						
4-pin-sensor plug M12 x 1 (option)		VHS		8						
VH3										
1.5 m PVC jacket cable		VH3		1						
1.5 m PVC blue jacket cable (only for option „for use in potentially explosive atmospheres“)		VH3		3						
Nominal diameter	Thread connection									
DN 8	G ¼	08						I1		
DN 10	G ⅜	10						I2		
DN 15	G ½	15						I3		
DN 15	G ½ male (only brass version)	15						A3		
DN 15	G ¾ male (only brass version)	15						A4		
DN 20	G ¾	20						I4		
DN 25	G 1	25						I5		
DN 32	G 1 ¼	32						I6		
DN 40	G 1 ½	40						I7		
DN 50	G 2	50						I8		
Material										
Brass		M011			1				1	
Stainless steel		M031			3				3	
Version										
Standard									()*	
For use in potentially explosive atmospheres (Option)**									X	
Example order number				VHS	08	M011	7	1	I1	1

* No character

** Only available with blue jacket cable or with plug connector incl. cable socket. Max. media temperature 100 °C.

BEST
SELLER

Type		Order number							
VHS	Plug connector incl. cable socket, DN 15, G ½, brass, standard	VHS	15	M011	7	1	I3	1	
VHS	Plug connector incl. cable socket, DN 20, G ¾, brass, standard	VHS	20	M011	7	1	I4	1	
VHS	Plug connector incl. cable socket, DN 25, G 1, brass, standard	VHS	25	M011	7	1	I5	1	