

DRAW WIRE SENSOR



Content:

Technical Data2
Technical Drawing2
Electrical Connection3
Warning Notices3
Order Code4
Accessories4

Series FX-HM

Key-Features:

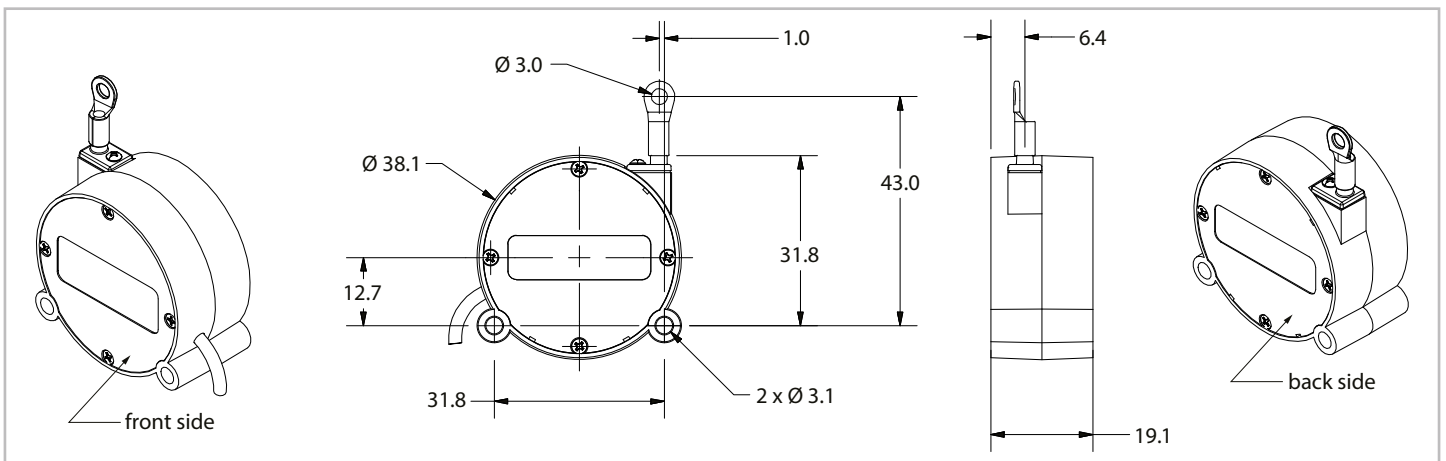
- *Wear-free Hall-effect sensor element*
- *Ultra-compact body, Ø 38.1 mm*
- *ideal for applications with very high cycle numbers*
- *Measurement ranges from 50 up to 375 mm*
- *Linearity ± 1 % of full range*
- *Output signal 0...10 V*
- *Very low weight of 35 g*
- *Draw wire: stainless steel, jacketed stainless steel*
- *Thermoplastic body*

TECHNICAL DATA

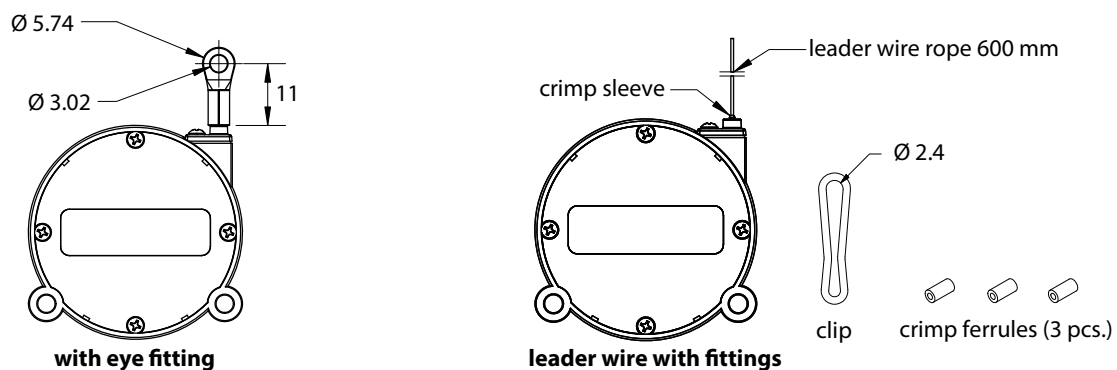
Measurement ranges	[mm]	50 / 75 / 100 / 125 / 150 / 200 / 250 / 300 / 375
Linearity ¹⁾	[%]	±1
Repeatability ¹⁾	[%]	±0.03
Resolution ¹⁾	[%]	0,024
Sensor element		Hall-Effect sensor
Output signal	[VDC]	0...10 + 0...0.2
Output impedance max.	[Ω]	10
Output load min.	[kΩ]	100
Power supply	[VDC]	4.9...30
Excitation current max.	[mA]	30
Connection		cable output with open ends, cable output with connector at cable end with or without mating connector
Protection class		IP52
Humidity		95 %, not condensing
Reverse polarity protection		yes
Operating temperature	[°C]	-25...+75
Storage temperature	[°C]	-50...+80
Shock resistance		50 g, 0.1 ms max.
Vibration resistance		15 g, 0.1 ms max.
Life cycle		approx. 6.000.000 cycles
Extraction force	[N]	nominal 1.5
Housing		thermoplastic body
Draw wire		Nylon jacketed stainless steel Ø 0.46 mm / optional: stainless steel Ø 0.41 mm
Weight	[g]	35

¹⁾ based on the measurement range

TECHNICAL DRAWING

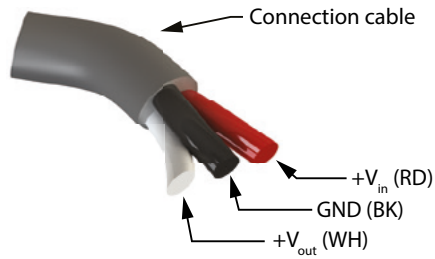


Draw wire attachment

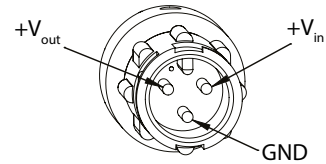


ELECTRICAL CONNECTION

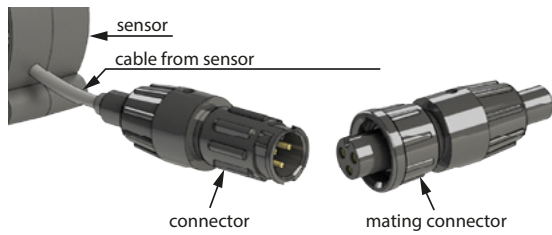
Cable output



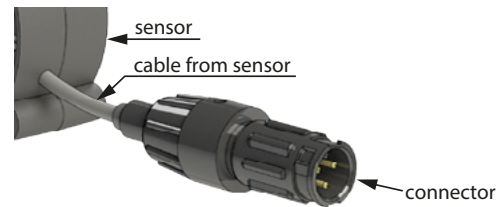
Pin assignment connector output



Connector output option C



Connector output option K

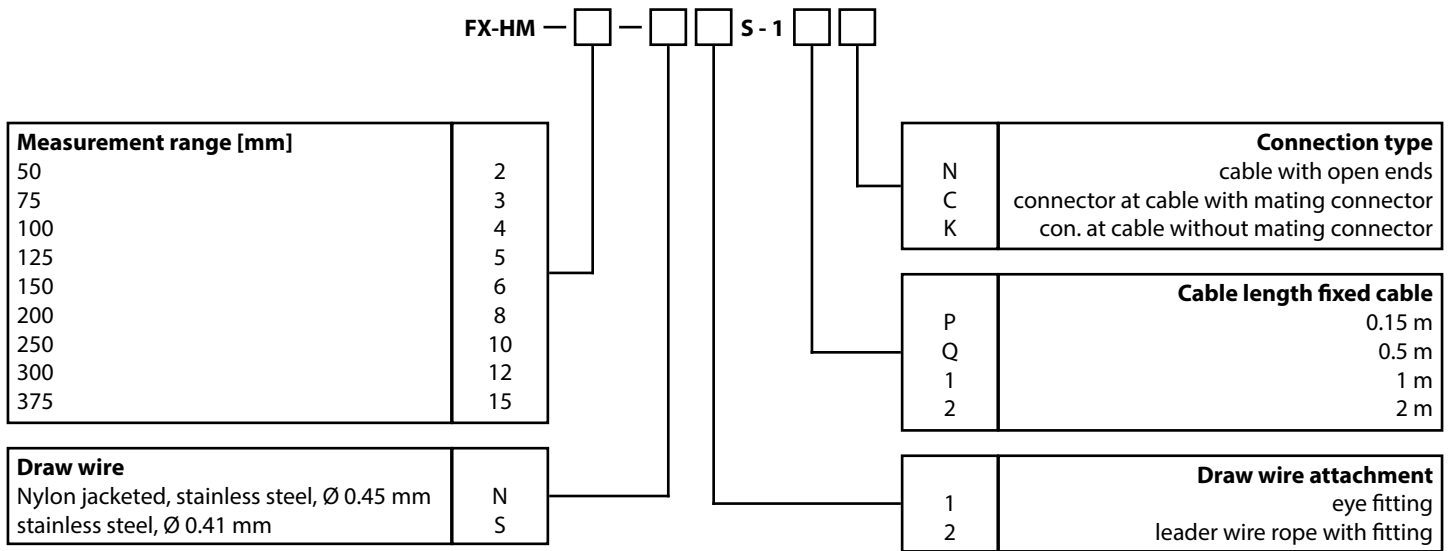


Accessory: cable with mating connector 10248-xM (x = length in m)

WARNING NOTICES

- Don't let the rope snap back. If the rope is retracted freely, this may lead to injuries (whiplash effect) and the device may be damaged. Caution when unhooking and retracting the rope into the sensor.
- Never exceed the specified measurement range when extracting the rope!
- Do not try to open the device. The stored energy of the spring drive may lead to injuries when being mishandled.
- Do not touch the rope when operating the sensor.
- Avoid guiding the rope over edges or corners. Use a deflection pulley instead.
- Do not operate the sensor if the rope is buckled or damaged. A ripping of the rope may lead to injuries or a damaging of the sensor.

ORDER CODE



ACCESSORIES

Connection cable for option K

10248-1M	1 m, with mating connector
10248-2M	2 m, with mating connector
10248-3M	3 m, with mating connector
10248-4M	4 m, with mating connector
10248-5M	5 m, with mating connector

Digital displays for sensors with analog output, 2 channel

WAY-AX-S	touch screen, supply: 18...30 VDC
WAY-AX-S-AC	touch screen, supply: 115...230 VAC

For more information and options please refer to the [WAY-AX data sheet](#).