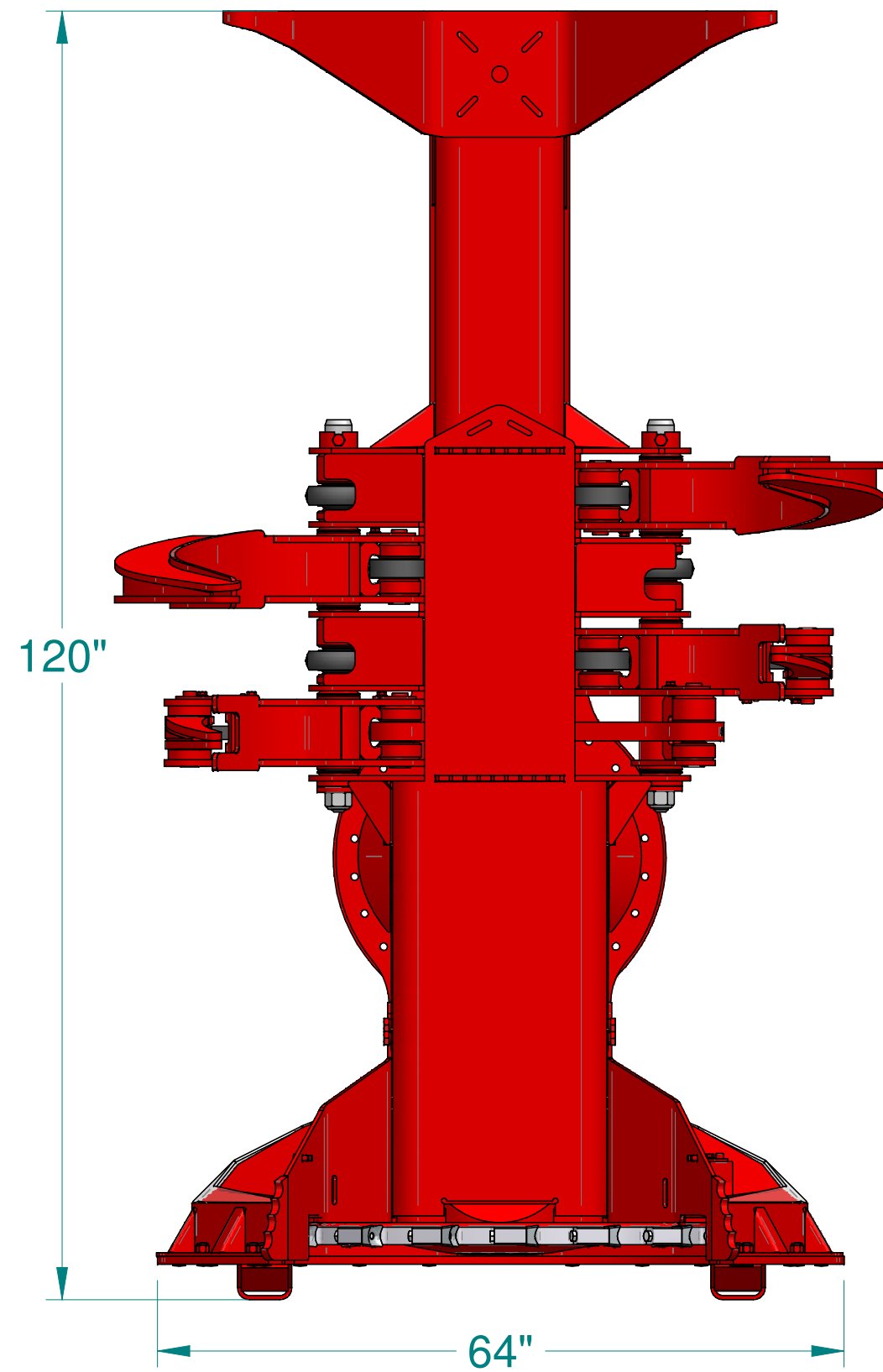
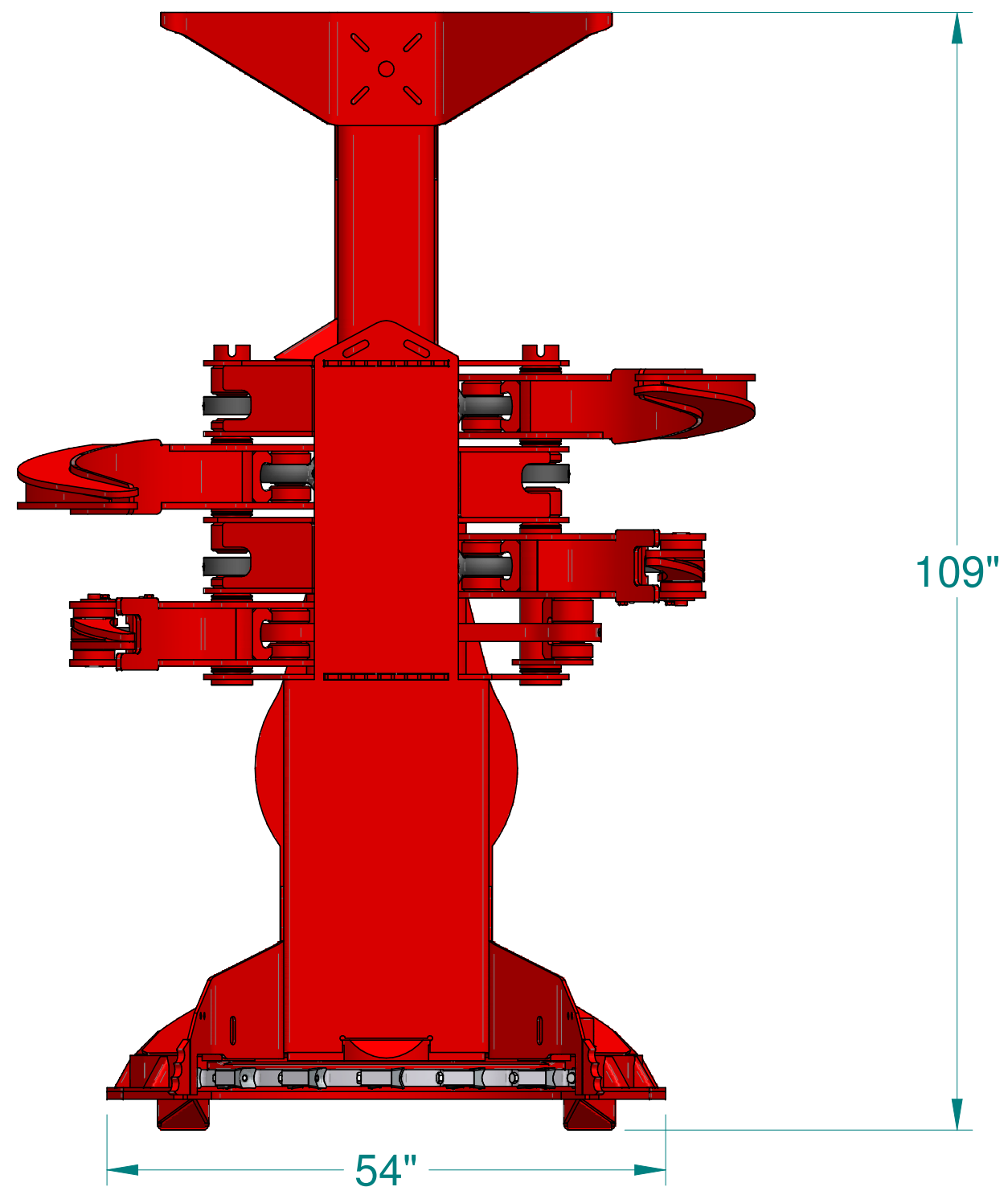


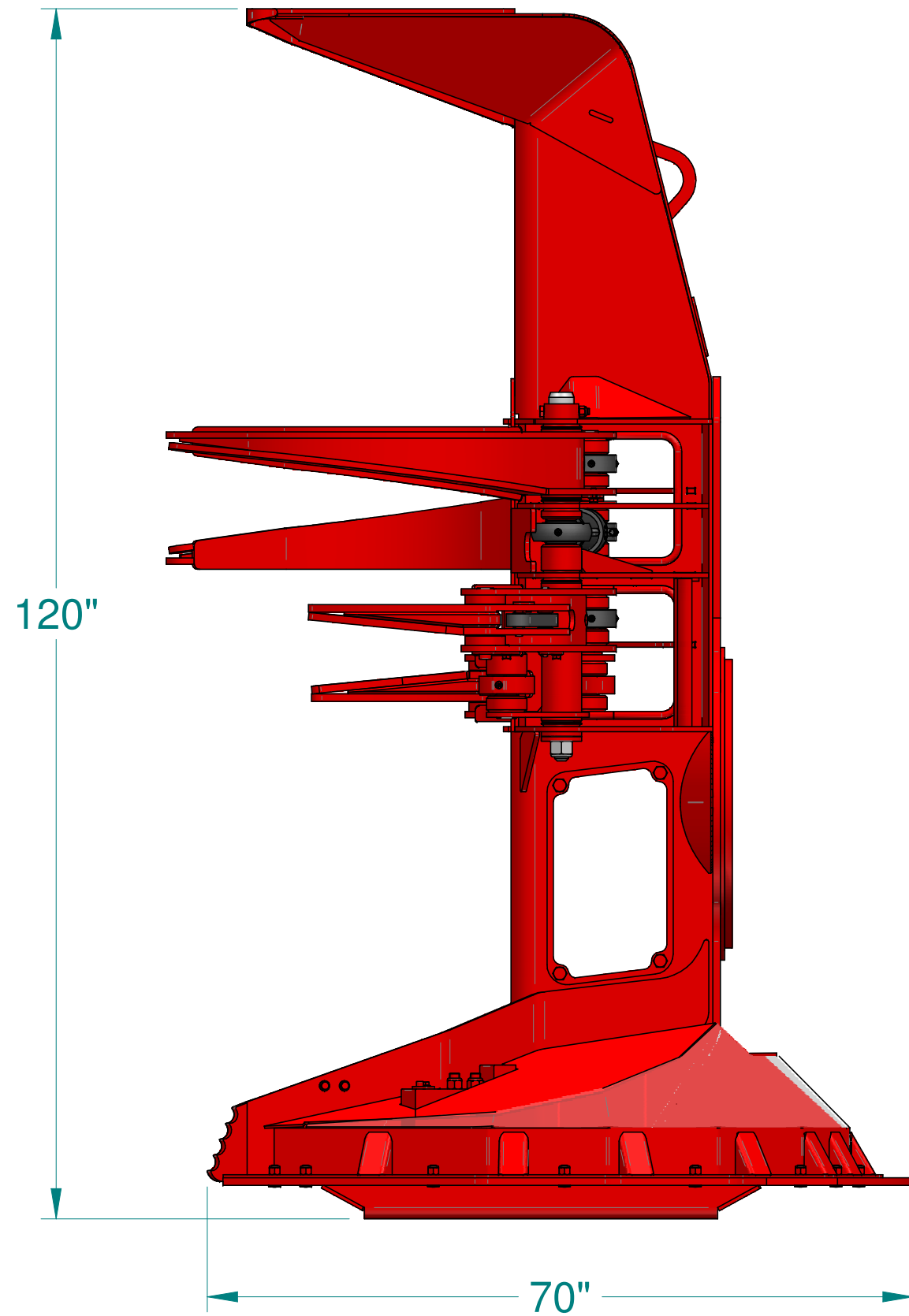
PP21



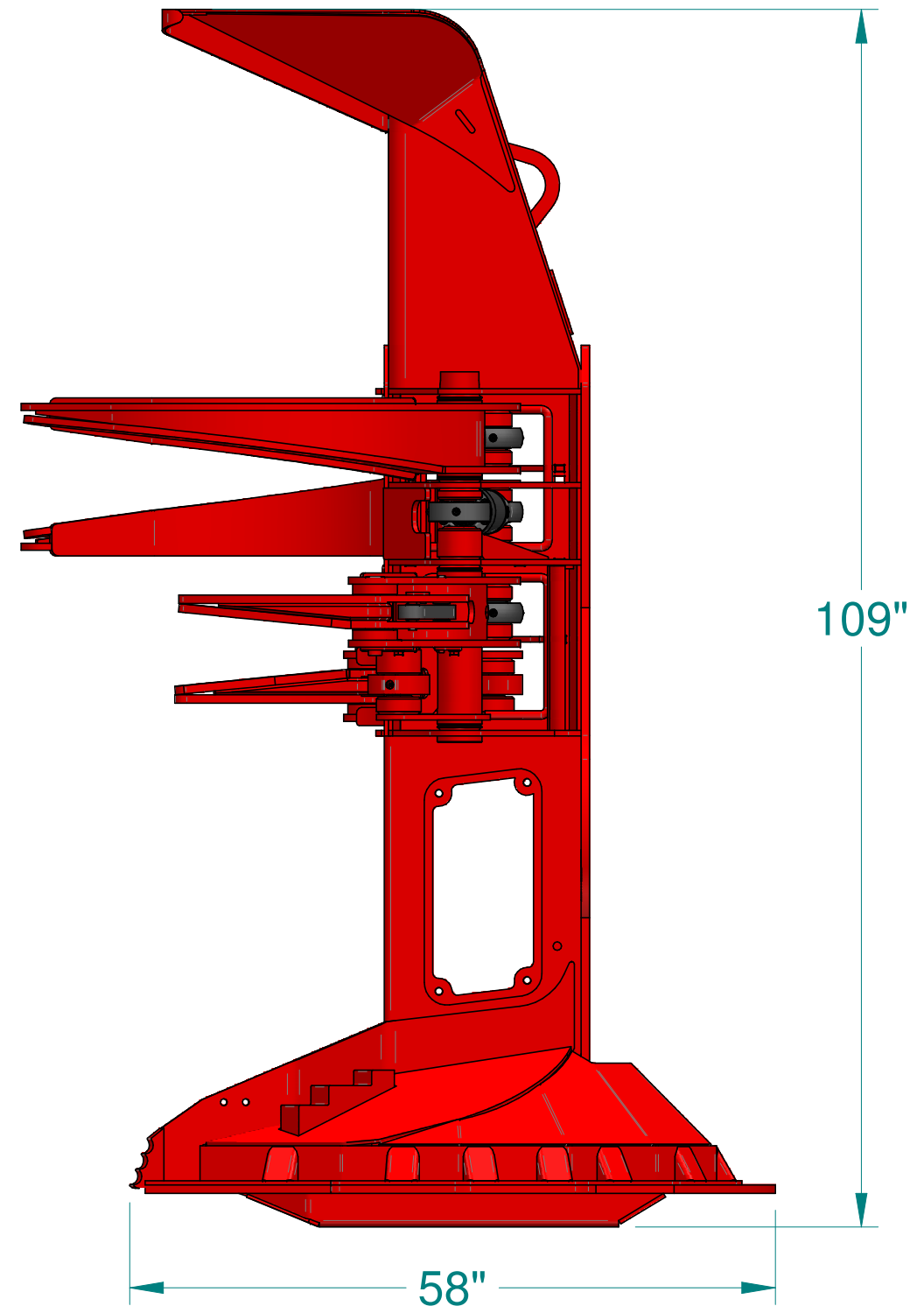
PP19



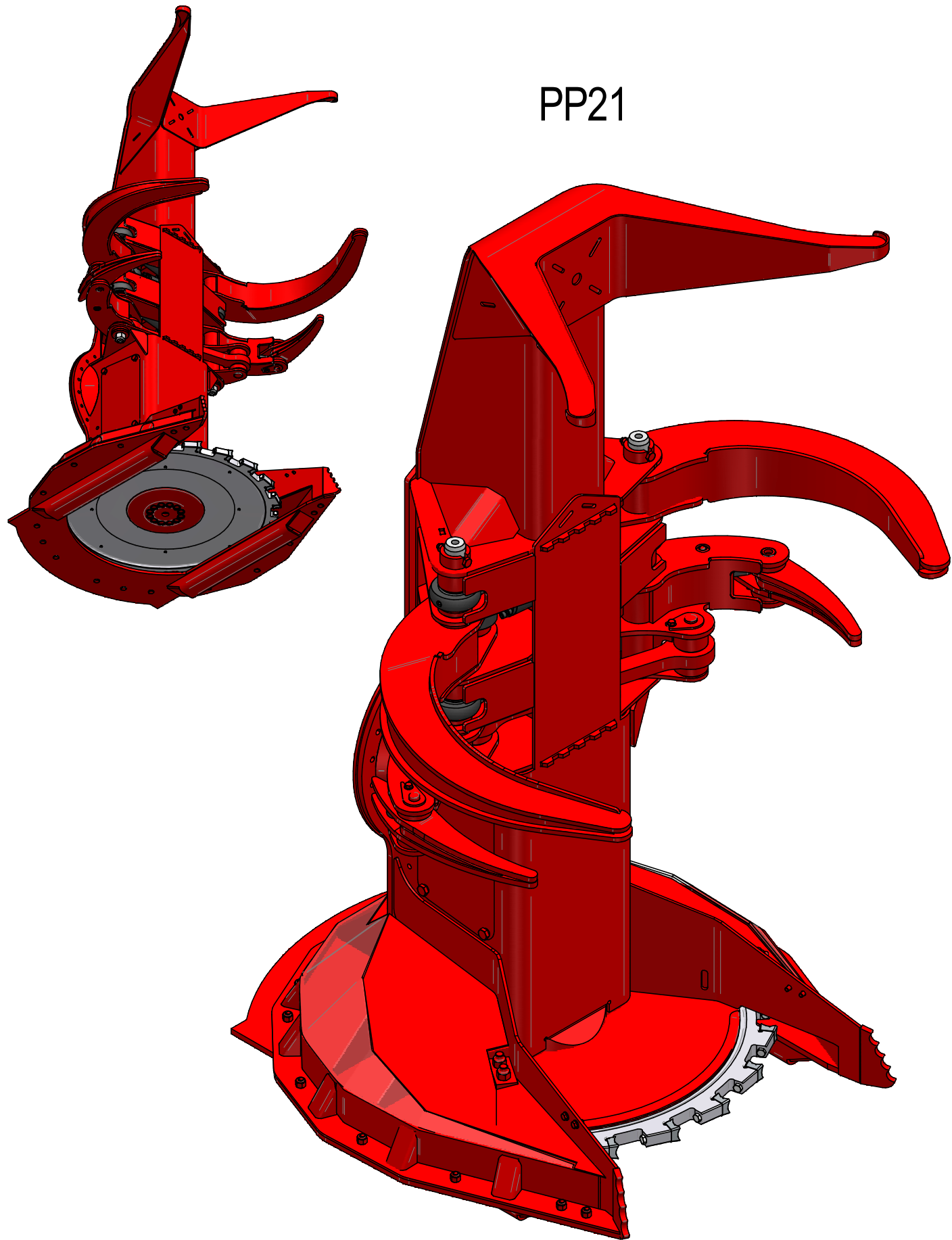
PP21



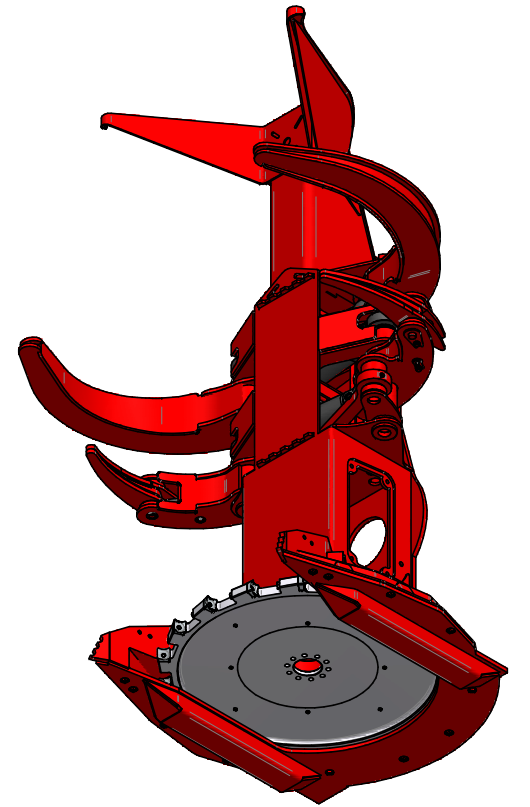
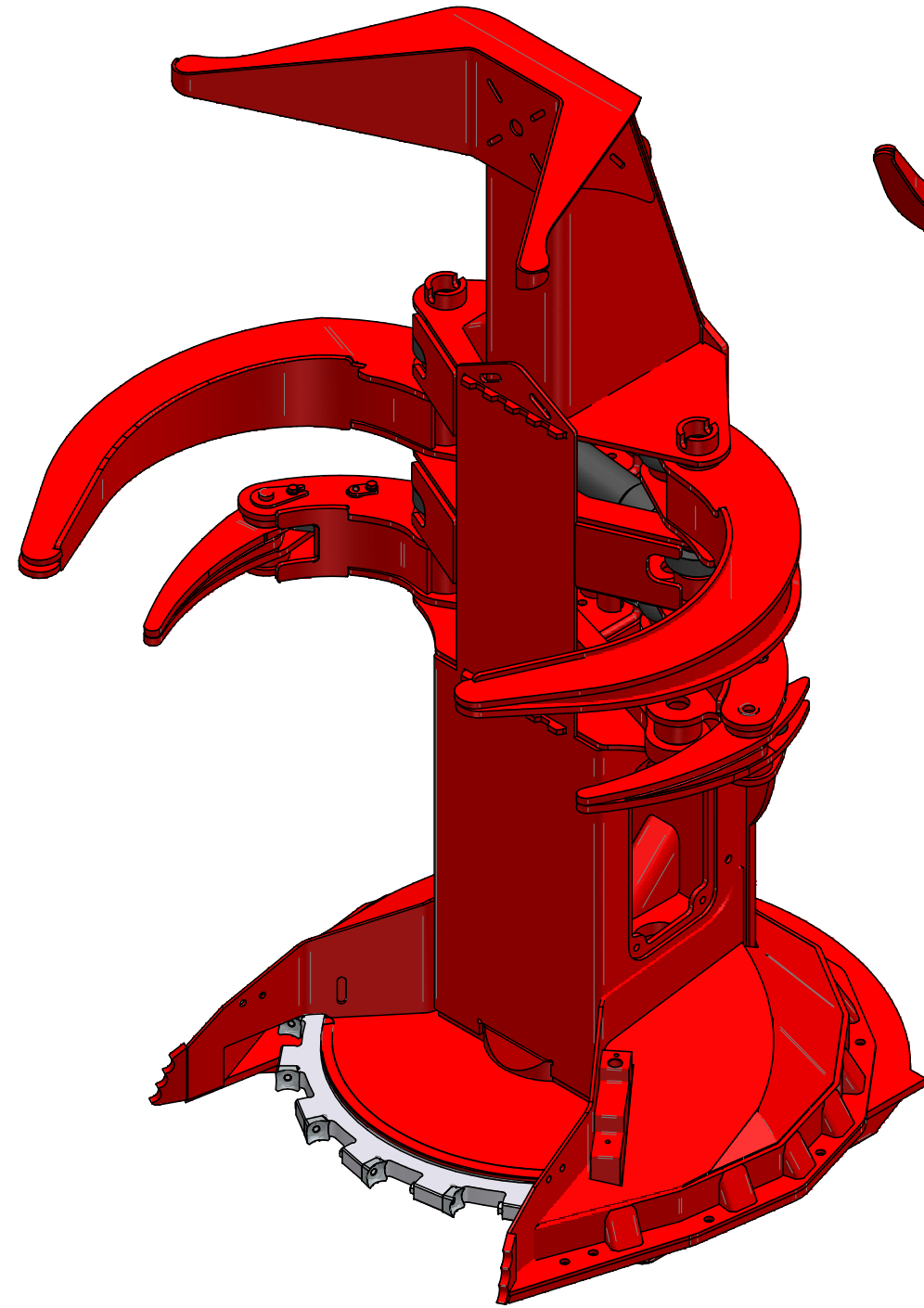
PP19



PP21



PP19



Specification :

	PP21 :	PP19 :
Height	120"	109"
Width	64"	54"
Depth	70"	58"
Weight	7 125 lbs *	5 175 lbs *
Net cutting capacity	21,5"	19"
Throath opening	39"	38"
Saw disc diameter	53"	47"
Saw disc kerf	2"	2"
Number of teeth	22	18
Saw disc type	one piece	one piece
Saw motor	Rexroth 160cc	Rexroth 107cc
Accumulation capacity	4,36 sq	3,58 sq
Butt plate type	Bolted	Bolted
Number of support bolts	8 (Ø1" grade 8)	6 (Ø1" grade 8)
Butt plate material & thickness	AR-400 / 3/4"	AR-400 / 3/4"
Grab arm configuration	Arm up	Arm up
Grab arm cylinders	Ø 3 1/4"	Ø 3 1/4"
Head rotation	350°	350°