

89 KEY FULL TRAVEL KEYBOARD

with 25 mm industrial grade trackball



This high quality full travel keyboard is designed for comfort over prolonged periods of use.

It uses the latest technologies and integrates a high-end industrial trackball. A reliable, user-friendly solution for all applications which require very accurate pointer control and easy data input.

GENERAL TECHNICAL SPECIFICATIONS

- 89 key full travel professional series keyboard
- Full travel Cherry ML-switch, low profile keycaps, laser engraved
- VESA100 mounting holes M3 on backside of keyboard for easy fixation on the desk
- Dimensions : 380 x 159 x 34 mm
- 1 USB cable, no cable gland
- High Impact Polystyrene enclosure

TRACKBALL

- Integrated industrial 25 mm trackball (mechanical)
- Phenolic resin ball with steel core
- Tracking force 50-80 grams nominal continuous
- Resolution 158 pulses per ball revolution (632 counts per ball revolution)
- Mechanical lifetime 1 million ball revolutions
- IP40 non sealed



integrated industrial grade trackball

KEYBOARD

- Storage temperature: -40°C - 70 °C 5-95 % RH, non-condensing
- Operating temperature : 0°C to +60°C
- USB output cable 195 cm +/- 10 cm
- Supply voltage : +5V +/- 5% (via keyboard port)
- Supply current : 200mA max.
- Cherry ML switch life time: >20 million actuations
- ROHS REACH compliant
- CE / FCC (NSI)

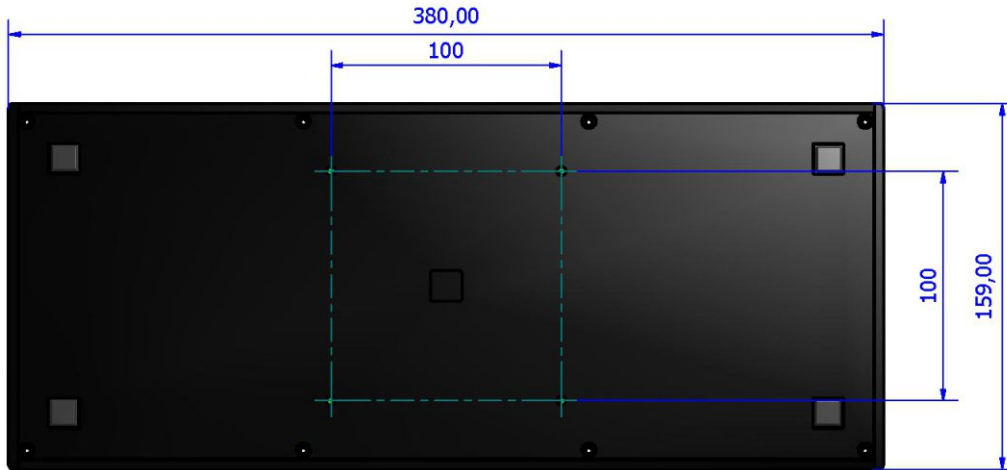


mounting holes for easy fixation

UL rating

Component	Description	UL flammability rating
Trackball module	Mechanical 25mm	UL94 (see detailed document)
Output cable	USB shielded	UI2725
Interconnection cable	Wires (15cm long) Connectors JST PH series	UL1007 UL94V-0
Pcb assembly		
keyswitches	ML series	UL94HB
keycaps	ML series	UL94HB
bare pcb		UL796 (see certificates)
connectors	JST PH series	UL94V-0
Assembly item	Self adhesive cable tie FTH-40	UL94HB
Enclosure	High impact polystyrol	UL94HB

89 KEY FULL TRAVEL KEYBOARD



ORDER INFO

KFTC89S1

Enclosed, USB output, US Qwerty ayout