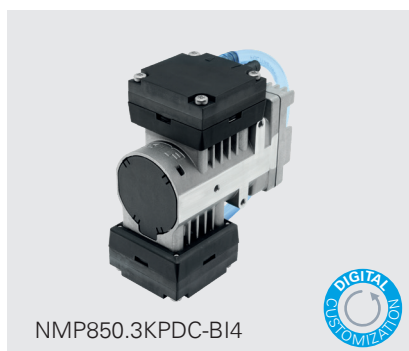
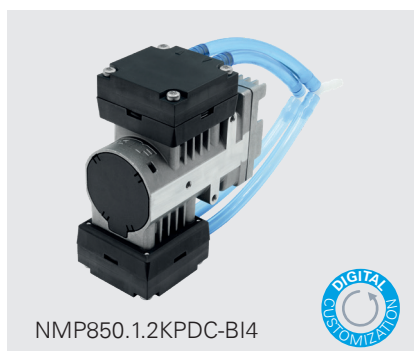


NMP850 DOUBLE-HEAD SERIES MICRO DIAPHRAGM GAS PUMPS



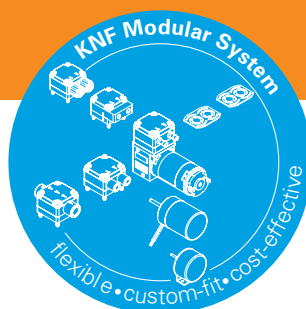
ADVANTAGES

- Customizing available
- Tested to customers specs
- High performance to size, efficiency and weight ratio
- Excellent reliability/durability
- Speed controllable
- Low sound level
- Long service life
- Uncontaminated transfer
- Maintenance-free
- High chemical resistance

POSSIBLE AREAS OF USE

- Medical devices
- Analytical equipment
- Emission measurement
- Reprographic
- Degassing
- Safety/Security
- Portable devices

Please visit our website
www.knf.com
to get more information.



PERFORMANCE DATA

Series Model	NMP850.1.2	NMP850.3
Material design	KPDC-BI4	KPDC-BI4
Pump head	PPS	PPS
Diaphragm	EPDM (FKM and PTFE on request)	EPDM (FKM and PTFE on request)
Valves	EPDM (FKM and FFKM on request)	EPDM (FKM and FFKM on request)
Flow rate at atm. pressure (l/min)	8.5	4.2
Ultimate vacuum (mbar abs.)	230	60
Ultimate pressure (bar rel)	2.5	-
Permissible media and ambient temperature (° C / ° F)	+5° C to +40° C / 41° F to 104° F (extended temperature on request)	
Weight (g/oz)	298/10.51	

ELECTRICAL DATA

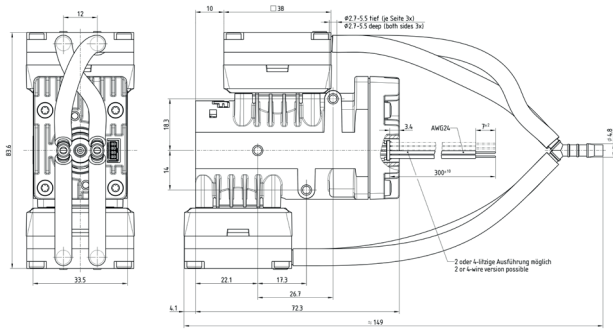
	12	24	12	24
Voltage (V)				
Motor	Integrated brushless DC, 4 wire (2 wire on request)		Integrated brushless DC, 4 wire (2 wire on request)	
I _{max} (A)	1.50	0.80	0.85	0.45

NMP850.1.2KPDC-BI4

PERFORMANCE DATA

Series model	Flow rate at atm. pressure (l/min)	Max. operating pressure (bar rel)	Ultimate vacuum (mbar abs.)
NMP850.1.2KPDC-BI4 12V	8.5	2.5	230
NMP850.1.2KPDC-BI4 24V	8.5	2.5	230

NMP850.1.2KPDC-BI4



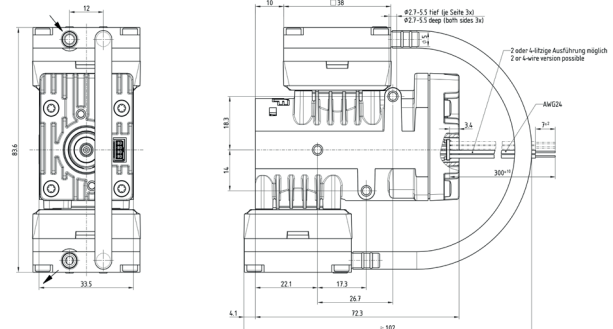
Dimensions in mm

NMP850.3KPDC-BI4

PERFORMANCE DATA

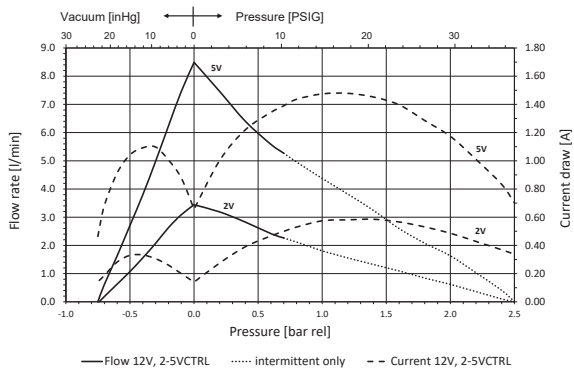
Series model	Flow rate at atm. pressure (l/min)	Max. operating pressure (bar rel)	Ultimate vacuum (mbar abs.)
NMP850.3KPDC-BI4 12V	4.2	-	60
NMP850.3KPDC-BI4 24V	4.2	-	60

NMP850.3KPDC-BI4

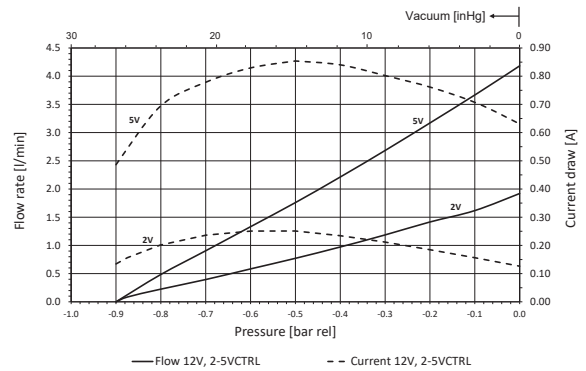


Dimensions in mm

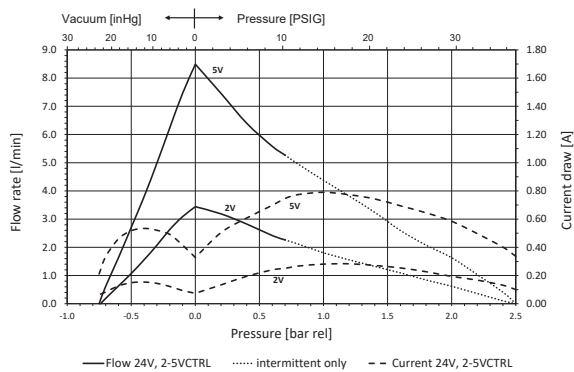
NMP850.1.2KPDC-BI4 12V FLOW CURVE



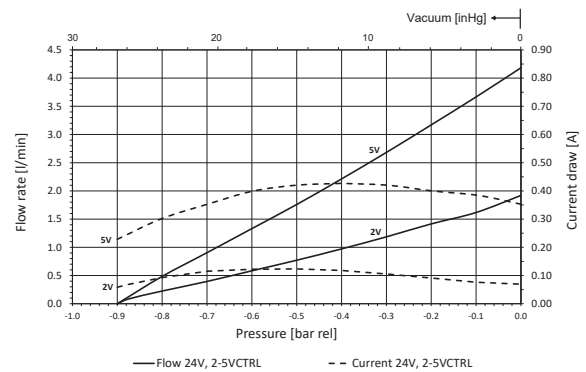
NMP850.3KPDC-BI4 12V FLOW CURVE





NMP850.1.2KPDC-BI4 24V FLOW CURVE



NMP850.3KPDC-BI4 24V FLOW CURVE



OPTIONS			
Description	Illustration	Part No.	Details
Motors			Other motor options are available. Ask your KNF sales contact to find the best solution for you.
Connecting plate			DN4/6 compression fitting M5 inside thread UNF 1/4".-28 inside thread
Eccentric			Other eccentricities are available to meet your operating point best.

ACCESSORIES			
Description	Illustration	Part No.	Details
Silencer		118819	For hose barbs
Silencer		314005	For DN4/6 connecting plate
Silencer		338498	For Y-connector double head pump
Rubber-bonded metal		On request	

SPARE PARTS			
Description	Illustration	Part No.	Details
Spare part kit NMP850KP NMP850KT		123998 325539	One Kit per head containing valve and diaphragm. For a double head pump two kits are required.

The performance values for the series models shown on this data sheet were determined under test conditions. The actual performance values may differ and depend in particular on the usage conditions and therefore on the specific application, on the parameters of the components involved in the user's system and on any technical modifications carried out which deviate from the standard configuration or the as delivered condition.

If individual designs have been created for specific customers on the basis of series models, other technical performance data may apply. Before operation begins, the relevant operating instructions and/or assembly or installation instructions should be read and the safety information contained in these instructions should be noted. KNF reserves the right to make changes to the product and the associated documentation without prior notice to the customer.



www.knf.com