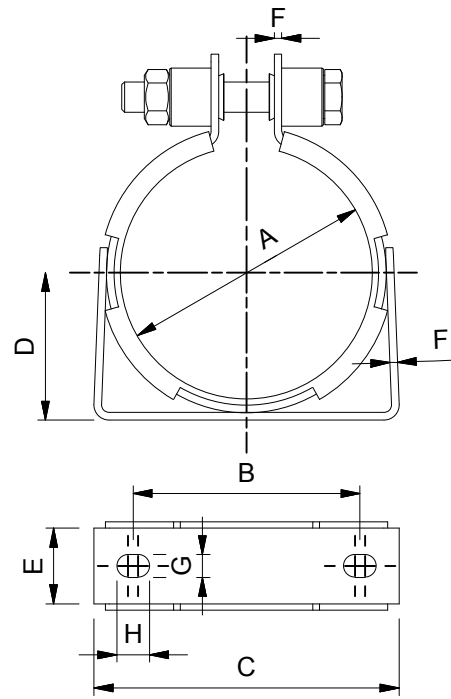
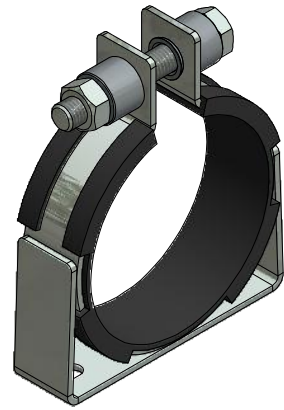
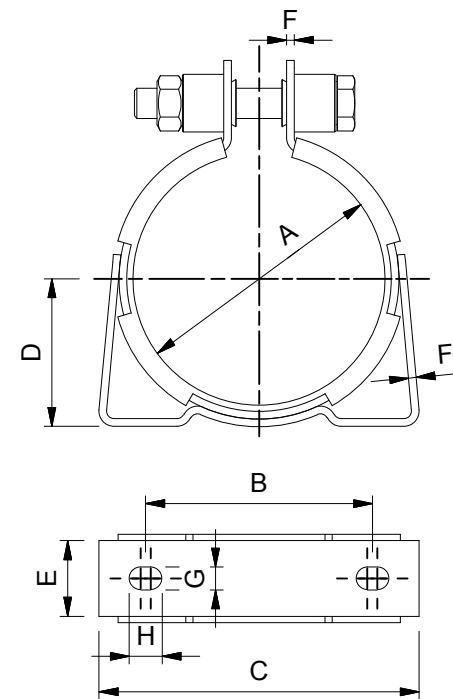
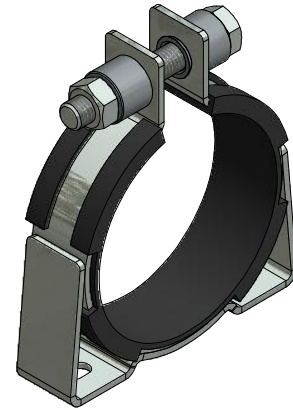


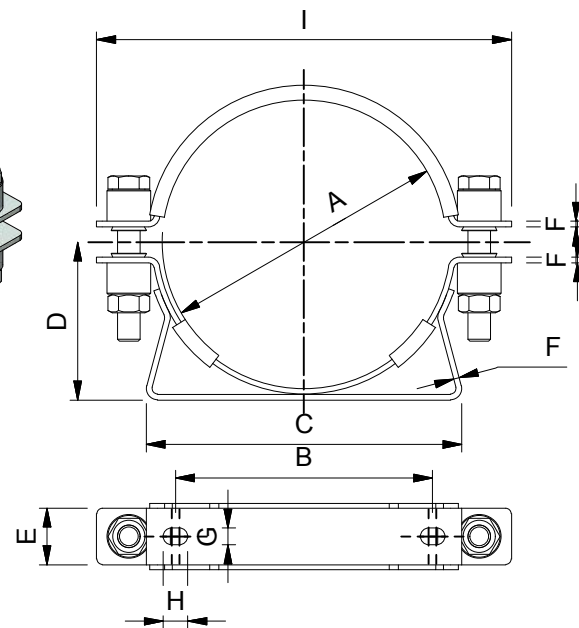
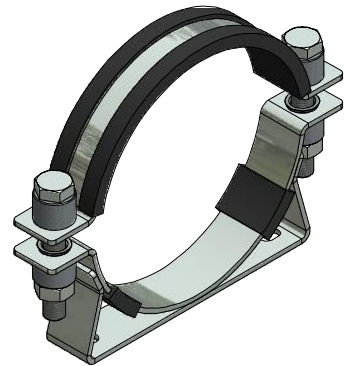
TYPE 1



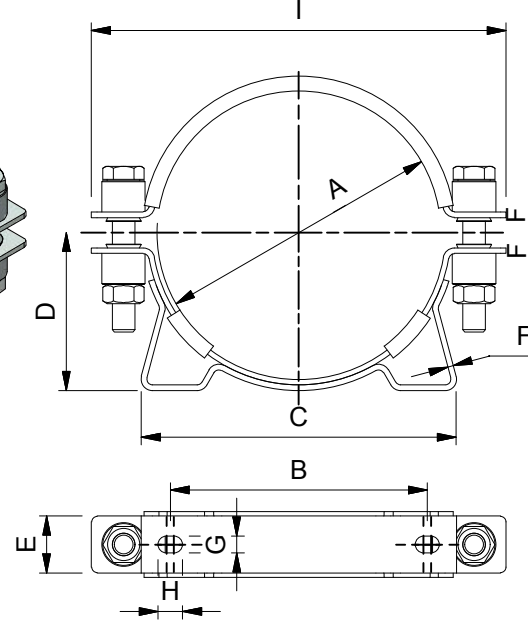
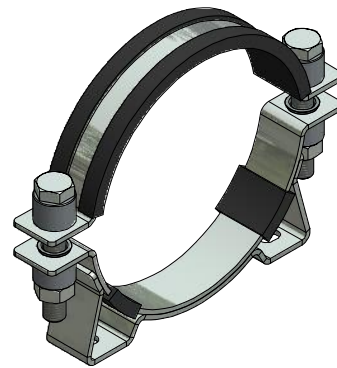
TYPE 3



TYPE 2



TYPE 4

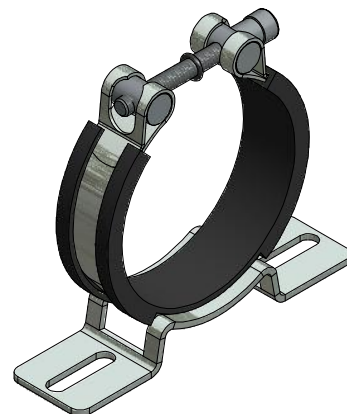


SPECIALITIES

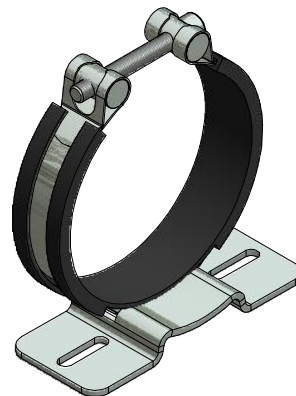
TYPE 5



LIGHT 1



LIGHT 2



SIZES									
Diameter	Type	Pitch	Width	Height	Band width	Band thickness*	G	H	With 2 +/-3
A		B	C	D	E	F		I	
80-85	T1	90	121	51	30	3	9	13	X
85-90	T1	90	121	53.5	30	3	9	13	X
90-95	T1	90	121	56	30	3	9	13	X
95-100	T1	90	121	58.5	30	3	9	13	X
100-105	T1	90	122	61	30	3	9	13	X
105-110	T1	100	127	63.5	30	3	9	13	X
110-115	T1	100	132	66	30	3	9	13	X
115-120	T1	100	132	68.5	30	3	9	13	X
120-125	T1	100	137	71	30	3	9	13	X
125-130	T1	136	142	73.5	30	3	9	13	X
130-135	T1	136	167	76	30	3	9	13	X
115-125	T2	100	194	71	30	3	9	13	195.3
125-135	T2	136	167	76	30	3	9	13	205.6
135-140	T3	136	167	78.5	30	3	9	13	X
140-145	T3	136	167	81	30	3	9	13	X
145-150	T3	136	167	83.5	30	3	9	13	X
150-155	T3	148	167	86	30	3	9	13	X
155-160	T3	148	194	88.5	30	3	9	13	X
160-165	T3	148	194	91	30	3	9	13	X
165-170	T3	148	194	93.5	30	3	9	13	X
170-175	T3	148	194	96	30	3	9	13	X
175-180	T3	148	194	98.5	30	3	9	13	X
135-145	T4	136	167	81	30	3	9	13	215.8
145-155	T4	136	167	86	30	3	9	13	226
155-165	T4	148	194	91	30	3	9	13	236.2
165-175	T4	148	194	96	30	3	9	13	246.3
175-185	T4	148	194	101	30	3	9	13	256.4
185-195	T4	148	194	106	30	3	9	13	266.6
195-205	T4	212	244	111	30	3	9	13	276.7
205-215	T4	212	244	116	30	3	9	13	286.8
215-225	T4	212	244	121	30	3	9	13	296.9
225-235	T4	216	248	126	30	3	9	13	307
235-245	T4	216	248	131	30	3	9	13	317
Thickness* =						Bandthickness for W1 as well for W5			
Material code									
W1						Steel according to 1.0122. Tolerances according to EN 10278 DIN 1652-2			
W5						Steel according to nr. 1,4401 DIN EN 10088-2 or material with similar corrosion resistance (according to the choice of the manufacturer)			
Other material specifications or quality upon request									

NOTICE TO PERSONS RECEIVING THIS DRAWING AND/OR TECHNICAL INFORMATION:
 MPC Industries BV claims proprietary rights to the material disclosed hereon. This drawing and/or technical information is issued in confidence for engineering information only and may not be reproduced or used to manufacture anything shown or referred to hereon without direct written permission from MPC Industries BV to the user. This drawing and/or technical information is the property of MPC Industries BV and is loaned for mutual assistance to be returned when its purpose has been served.
 THIS DRAWING AND/OR TECHNICAL INFORMATION IS THE PROPERTY OF MPC INDUSTRIES BV

	Third angle projection:	Part number:
		<h1>Accumulator clamps</h1>
Material: W1, W5	Creation date: 16-Nov-11	Description:
Drawn by: gyula	Units: mm	MPC Industries Accumulator clamp, TYPE 1, TYPE 2, TYPE 3, TYPE 4, Specialties
MPC Industries B. V. Badweg 38 8401 BL Gorredijk Postbus 225 8400 AE Gorredijk. Tel.: 0513 465477 Fax.: 0513 465736		Revision:
		Format: A3