

The Packo pumps of the MFP2 series are used on the most demanding hygienic applications in almost all industries such as dairies, breweries, beverage industry, distilleries, etc. These robust pumps have stainless steel 316L cast pump casings and open or semi-open investment cast impellers, constructed in 316L or duplex materials. Thanks to its crevice-free design and electropolishing as a final surface treatment, the MFP2 pump series are the ideal reliable component into your production process.



Application areas

These robust process pumps are the ideal reliable component for filtration applications, pasteurization, yeast propagation as well as for CIP cleaning systems. Typical applications include filtration of beer, wine and fruit juices as well as pumping yeast, whey, curd, CIP, etc.

Your benefits

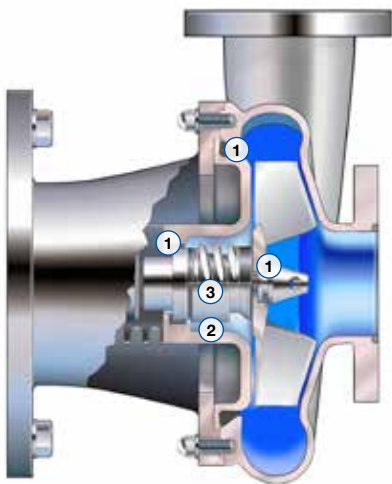
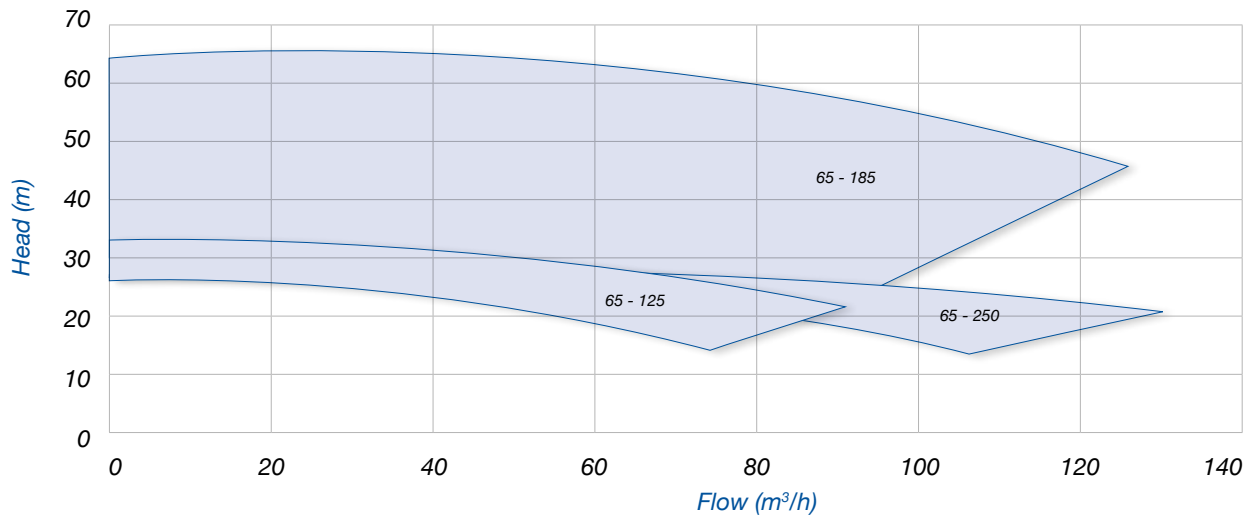
- High pump efficiency resulting in lower energy consumption
- Low NPSH values: less risk on cavitation
- Electropolished: easy to clean
- Easy construction and easy maintenance: Less downtime
- Standard components
- Easy to install
- 1 mechanical seal diameters for the entire range
- Robust construction

Technical specifications

Max. flow rate	120 m ³ /h
Max. differential head	65 m
Max. liquid viscosity	500 cP
Max. temperature	140°C
Impeller type	Open and semi-open
Max. free passage	25 mm
Max. motor power	22 kW
Max. speed	3000 / 3600 rpm
Available frequency	50 / 60 Hz
Connections	Sanitary fittings
Materials wetted parts	Stainless steel 316L or similar
Available materials o-ring	EPDM, FKM, FEP-FKM, FFKM, Silicone
Mechanical seal configuration	Single, quench, double
Surface finish	Food quality; internal welds hand polished + electropolished (average roughness 3.5 µm)
Certificates & Legislation	1935/2004 EC, FDA, USP, ATEX, EU N° 547/2012



Performance curves at 2900 rpm

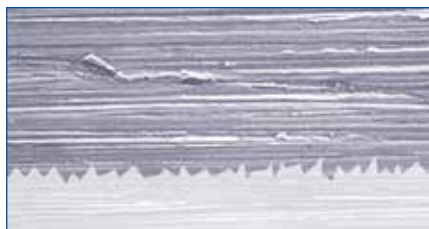


Specifications

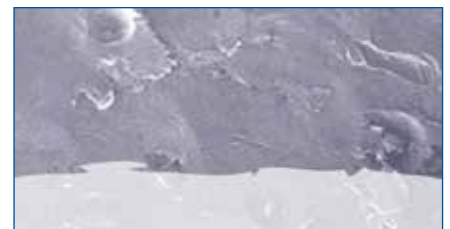
- Hygienic construction and standardized components
- No bacteria traps and no small clearances in order to clean the area around the O-ring (1)
- Solid design thanks to investment cast casings and impellers
- Large seal cavity to clean mechanical seal properly (2)
- Standardized mechanical seals to EN 12756
- FDA approved bellows mechanical seals or sterile O-ring seals (spring not in contact with the liquid) (3)
- 1 mechanical seal diameter 33 mm up to 22 kW motor power
- Electropolished design (for wetted & non-wetted parts); easy to clean and increased corrosion resistance



Electropolished



Mechanical polishing 240 grit



Glass bead blasted

MFP2_Food_processing_pump_series_Technosheet_rev01_2016_(eu)



Find your local supplier at www.verder-liquids.com

For construction, installation and floor mounting drawings please contact your local authorised Verder® distributor.