

KombiTemp® // Head type B

-60...200 °C



K 410



K 620



Highlights

- High measurement reliability due to two independent measuring points
- Fast detection of malfunctioning probes or dial thermometers in the system to be checked
- Low installation costs, advantages of the industrial thermometer

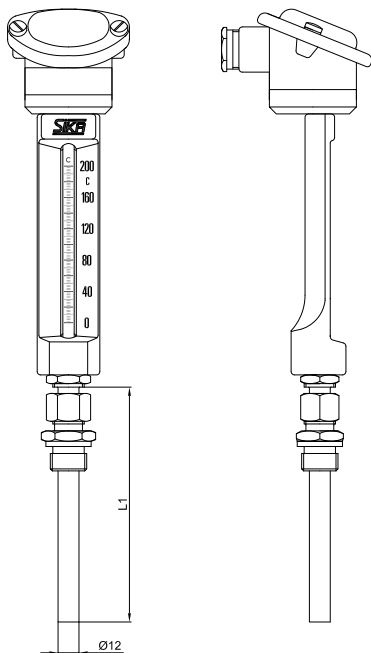
| Technical data | | |
|--------------------------------------|--|-----------|
| Version | Straight | 90° angle |
| Dimensions housing | 150 x 36 mm | |
| Measuring range | -60...200 °C | |
| Medium / Application | Liquid and gaseous media | |
| Immersion tube length | | |
| → Clamp connection | 135 mm or 160 mm | |
| → Fixed thread connection | 63 mm, 100 mm or 160 mm | |
| Immersion tube diameter | 12 mm | |
| Process connection | | |
| → Clamp connection | G $\frac{1}{2}$ | |
| → Fixed thread connection | G $\frac{1}{2}$, G $\frac{3}{4}$ or M20 x 1.5 | |
| Nominal pressure | | |
| → Immersion tube brass | PN 16 | |
| → Immersion tube stainless steel | PN 40 | |
| Thermometer capillary | Prismatic, Ø approx. 6 mm | |
| Thermometer filling | | |
| → Red | -60...40 °C | |
| → Blue | -30...200 °C | |
| Medium temperature | Depending on measuring range | |
| Ambient temperature | -20...60 °C (only for indoor use) | |
| Storage temperature | -25...60 °C | |
| Degree of protection EN 60529 | IP65 | |

| Electrical data | |
|------------------------------|---|
| Measuring element | 1 x Pt100 / 3-wire 2 x Pt100 / 3-wire 1 x Pt1000 / 2-wire 1 x NiCr-Ni (type K) 2 x NiCr-Ni (type K) |
| Accuracy | Class B Class 1 |
| Electrical connection | Head type B (DIN 43729) |

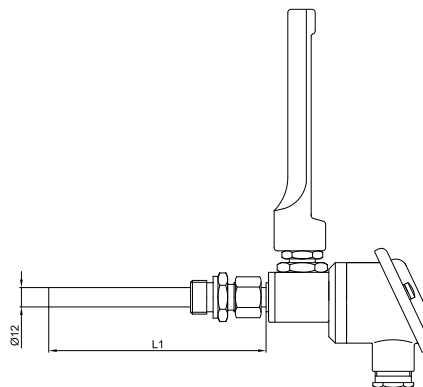
| Options | |
|--------------------------------------|--|
| For type | See order code |
| K 410 / K 420 / K 610 / K 620 | Analogue output 4...20 mA for 1 x Pt100 |

Technical drawings

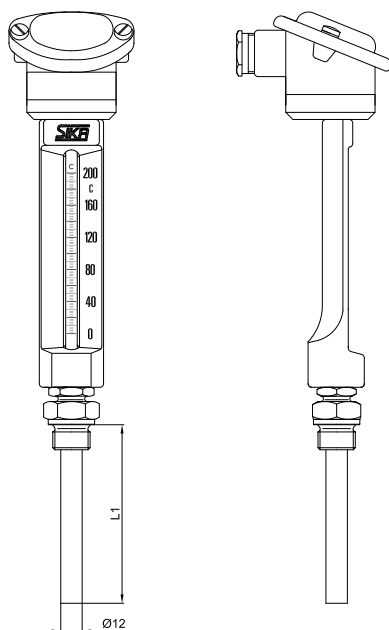
K 410



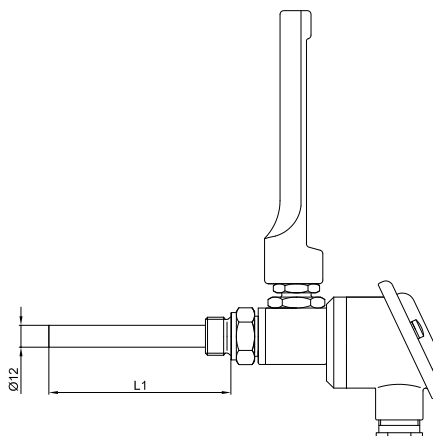
K 610



K 420



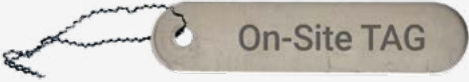
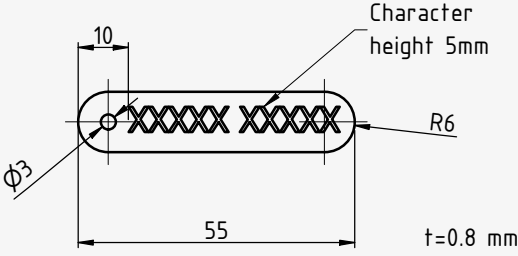
K 620



Materials

| | |
|-----------------------------------|--|
| Material | |
| Not in contact with medium | |
| Housing | Warm pressed aluminium part, silver anodized |
| In contact with medium | |
| Process connection | Brass or stainless steel 1.4571 |
| Immersion tube | Brass or stainless steel 1.4571 |

Accessories

| Accessories | Article number |
|--|-------------------------|
| <p>Measuring point designation Laser-inscribed stainless steel plate with fixing wire for easy attachment to measuring points</p> <ul style="list-style-type: none">→ Scope of delivery: Designation plate inscribed according to specification and enclosed fixing wire (sealing wire)→ Fastening: Wire (included in delivery), alternatively sealing, cable ties or similar (not included in delivery)→ Materials: Plate stainless steel 1.4571, wire stainless steel→ Dimensions: Plate 55 x 10 x 0.8 mm, wire length 180 mm→ Inscription: one-sided, single-line, max. 11 characters, character height 5 mm, designation width max. 40 mm, letters, numbers, symbols, barcodes, QR codes→ Transmission of designations: digital list, file formats Excel, Word or CSV   | <p>ONSITETAG</p> |