

ARS 220

SOIL COMPACTOR
T3

COMPACTION OUTPUT LEADER

Ammann provides industry-leading compaction output while defining new highest standards in efficiency and cost saving through the ARS 220 T3 Soil Compactor.

The machines meet EU Stage 3 emissions standards. The machines also meet the highest operator standards, with intuitive control via a centralized multifunctional display built into the steering wheel. A wide range of compaction tools such as the ACE^{force} system help operators monitor indications of compaction.

PRODUCTIVITY

High compaction output
Faster compaction of thicker layers with less passes

No rear axle concept
Compact machine design for high stability, manoeuvrability and access

ACE^{force}
Intelligent compaction tools for best effectivity

ERGONOMICS

Cab design
Spacious cab with low noise levels for Operator comfort

Control and Information display integrated in steering wheel
Intuitive machine control and overview even with unskilled Operator thru Multifunctional display

Visibility
Perfect all-around machine visibility for higher safety on the job-site

SERVICEABILITY

Tiltable cabin and engine hood
Perfect access to service points

Ground access to service and maintenance points
Easy access to service points without additional tools

Maintenance friendly design
Easy and fast daily maintenance

APPLICATIONS

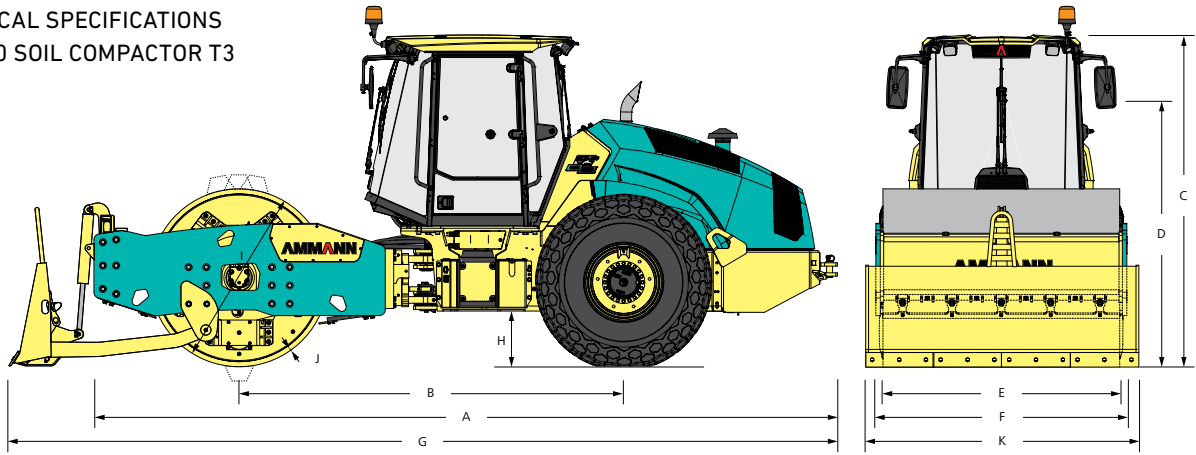
- Large jobsites
- Heavy transport construction (sub-base of railways, airfields, water dams, harbours)

MAXIMUM RECOMMENDED COMPACTED LIFT THICKNESS AT OPTIMAL WORKING CONDITIONS

	Rockfill	Sand / Gravel	Mixed Soils	Silt	Clay
ARS 220	1.85 m (72.8 in)	1.15 m (45.3 in)	0.95 m (37.4 in)	0.75 m (29.5 in)	0.4 m (15.8 in)

AMMANN

TECHNICAL SPECIFICATIONS
ARS 220 SOIL COMPACTOR T3



DIMENSIONS

	D	PD
A MACHINE LENGTH	6730 mm (265 in)	6730 mm (265 in)
B WHEELBASE	3510 mm (138.2 in)	3510 mm (138.2 in)
C MACHINE HEIGHT	2950 mm (116.1 in)	2950 mm (116.1 in)
D MACHINE HEIGHT (REMOVED CAB / ROPS)	2250 mm (88.6 in)	2250 mm (88.6 in)
E DRUM WIDTH	2130 mm (83.9 in)	2130 mm (83.9 in)
F MACHINE WIDTH	2300 mm (90.6 in)	2300 mm (90.6 in)
G MACHINE LENGTH (BLADE)	-	7575 mm (298.2 in)
H GROUND CLEARANCE	500 mm (19.7 in)	500 mm (19.7 in)
I DRUM DIAMETER	1600 mm (63 in)	1795 mm (70.7 in)
J DRUM SHELL THICKNESS	45 mm (1.8 in)	30 mm (1.2 in)
K MACHINE WIDTH (BLADE)	-	2450 mm (96.5 in)

MISCELLANEOUS

BRAKES OPERATING	Hydrostatic
BRAKES PARKING	Multiple-discspring brake
BRAKES EMERGENCY	Multiple-discspring brake
FUEL TANK CAPACITY	350 l (92.4 gal)
VOLTAGE	24 V

WEIGHT & OPERATING CHARACTERISTICS

OPERATING WEIGHT CECE (D/PD VERSION)	21630 kg (47690 lb)/ 21760 kg (47970 lb)
MAXIMUM WEIGHT	26000 kg (57320.2 lb)
STATIC LINEAR LOAD	66.9 kg/cm (374.6 lb/in)
MAX. TRANSPORT SPEED	12 km/h (7.46 mph)
MAX. WORKING SPEED	7 km/h (4.35 mph)
CLIMBING ABILITY	55(50)%
TURNING RADIUS INNER (EDGE)	4370 mm (172 in)
TURNING RADIUS INNER (CONTOUR)	6710 mm (264.2 in)

STANDARD EQUIPMENT

- ATC (Ammann Traction Control)
- Smooth drum
- Two stage vibratory unit
- D drive
- Electrohydraulic cabin & hood tilting
- Working lights head and rear
- Hydraulic test ports on components
- Diamond tread tires

COMPACTION FORCES

FREQUENCY I CE	27 Hz (1620 VPM)
FREQUENCY II CE	34 Hz (2040 VPM)
FREQUENCY ACE MIN./MAX.	-
AMPLITUDE I	2 mm (0.079 in)
AMPLITUDE II	1 mm (0.039 in)
AMPLITUDE ACE MIN./MAX.	-
CENTRIFUGAL FORCE I	375 kN
CENTRIFUGAL FORCE II	300 kN
CENTRIF. FORCE ACE MIN./MAX.	-

ENGINE

MANUFACTURER	DEUTZ TCD 6.1 L6
POWER ACCORDING TO ISO 14396	160 kW (215 HP)/2300 rpm
MAXIMUM TORQUE	694/1600 Nm/rpm
ENGINE COMPLIES WITH EMISSION REGULATIONS	EU Stage IIIa, U.S. EPA Tier 3



OPTIONAL EQUIPMENT

- ACE^{force}
- ACE GPS monitoring
- PD Drum (or PD Shell Kit)
- HX Drive version
- Air Condition for cab
- Radio with CD
- 360° Illumination Kit
- Ammann Toolkit
- Dozer Blade
- Road lighting
- PD Drum (or PD Shell Kit)
- Warning beacon
- Back-up alarm
- Telematics ready
- Centralised hydraulic test ports
- Tractor tires