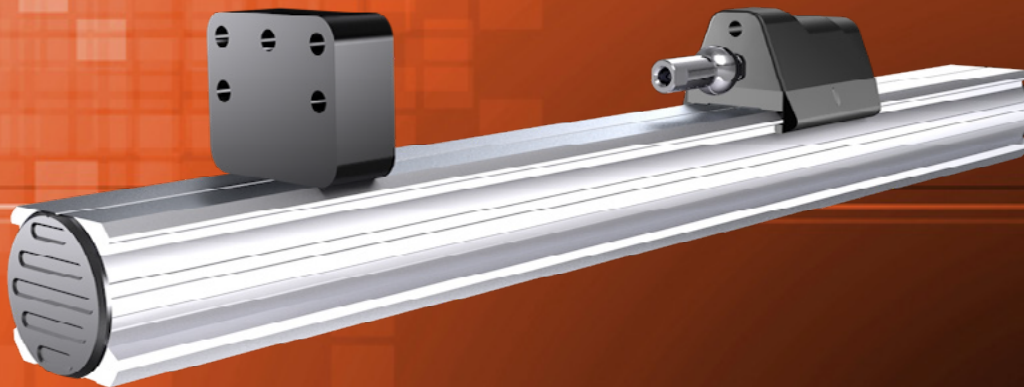


MAGNETOSTRICTIVE TRANSDUCER



Content:

Technical Data2
Sampling Time And Dimensions2
Technical Drawing3
Electrical connection4
Accessories4
Order Code5

Series MAB

Key-Features:

- Measurement ranges from 50 to 2500 mm
- Distance and speed measurement
- Sliding or floating magnetic cursor
- Displacement speed up to 10 m/s
- Linearity up to ± 0.01 %
- Operating temperature -30...+75 °C
- Protection class IP67
- Output signals: Analog, SSI, CANopen

TECHNICAL DATA

		MAB-A	MAB-C	MAB-S
Measurement range	[mm]	50 / 75 / 100 / 130 / 150 / 175 / 200 / 225 / 250 / 300 / 350 / 360 / 400 / 450 / 500 / 550 / 600 / 650 / 700 / 750 / 800 / 850 / 900 / 950 / 1000 / 1100 / 1200 / 1250 / 1300 / 1400 / 1500 / 1750 / 2000 / 2500		
Measured dimension		position / speed		position
Measurement range speed		min. 0...0.1 m/s, max. 0...10 m/s	depending on the scale	-
Accuracy of speed output	[%]	<2		-
Displacement speed	[m/s]	≤10		
Acceleration max.	[m/s ²]	≤100		
Linearity sliding magnetic cursor	[%]	±0.01 (min. ±0.06 mm)	±0.02	±0.01 (min. ±0.06 mm)
Linearity floating magnetic cursor	[%]	±0.02 (at a distance of 2...5 mm) ±0.04 (at a distance of 5...7 mm)	±0.02	±0.02 (min. ±0.06 mm) ¹⁾
Resolution		16 bit (noise max. 5 mVpp)	5 μm (2 μm on request)	
Repeatability	[mm]	<0.01		
Hysteresis		<0.01 mm		≤±0.005 % (min. 0.01 mm)
Sampling time position (table below)	[ms]	0.5 to 2		1 to 4
Output signal		0...10 V	4...20 mA	CANopen DS 301
Output value max.		12 V	30 mA	-
Current consumption max.	[mA]	70	90	90
Output load max.		5 kΩ	<0,5 kΩ	-
Power supply	[VDC]	24 ±20 %		10...32
Protection against polarity inversion		yes		
Protection against overvoltage		yes		
Operating temperature	[°C]	-30...+75		-30...+90
Storage temperature	[°C]	-40...+100		
Temperature coefficient		≤ 0.005 %/°C		20 ppm/°C
Protection class		IP67		
Shock resistance acc. DIN IEC68T2-27		100 g - 11 ms - single shock		
Vibration resistance acc. DIN IEC68T2-6		12 g / 10...2000 Hz		15 g / 10...2000 Hz
Electrical connection		connector M12		connector M16
Housing material		anodised aluminium, Nylon 66 G 25		

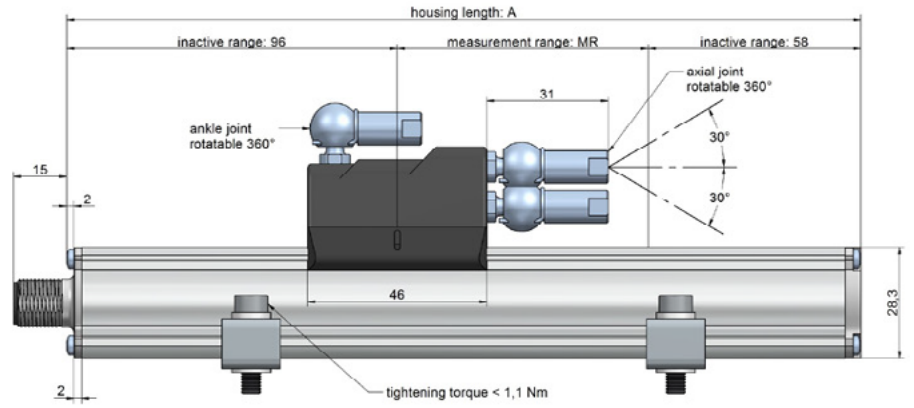
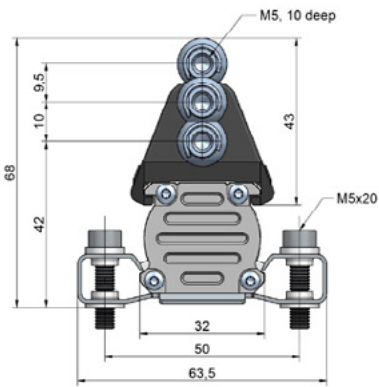
¹⁾ depends on distance between cursor and sensor

SAMPLING TIME AND DIMENSIONS

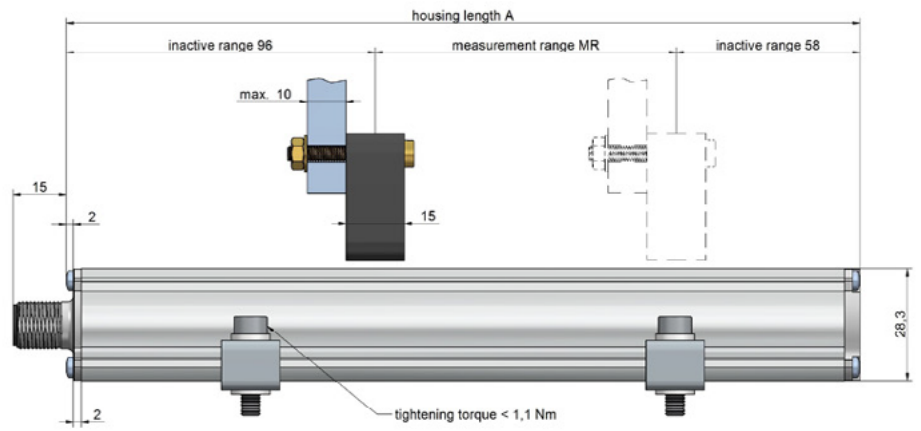
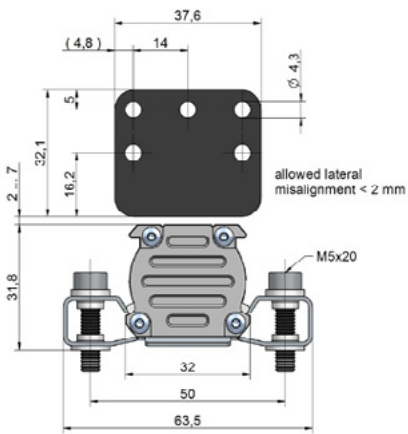
MAB-A				
Measurement range	[mm]	up to 300	350 to 1100	1200 to 2000
Sampling time	[ms]	0.5	1	1.5
Overall housing length	[mm]	measurement range + 154		
MAB-C				
Measurement range	[mm]	up to 1100	1200 to 2000	2500
Sampling time	[ms]	1	2	4
Overall housing length	[mm]	measurement range + 154		
MAB-S				
Measurement range	[mm]	up to 1100	1200 to 2000	2500
Sampling time	[ms]	1	2	4
Overall housing length	[mm]	measurement range + 154		

TECHNICAL DRAWING

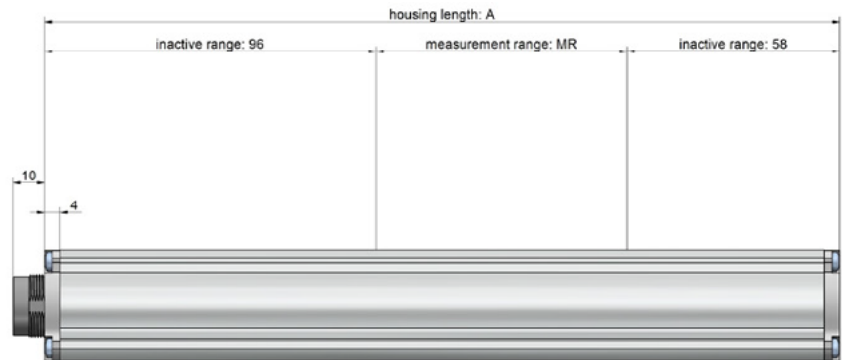
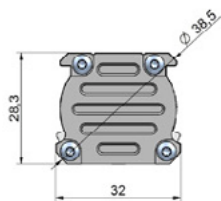
MAB, sliding magnetic cursor



MAB, floating magnetic cursor

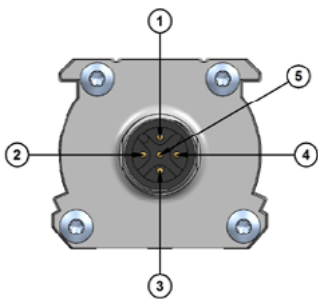
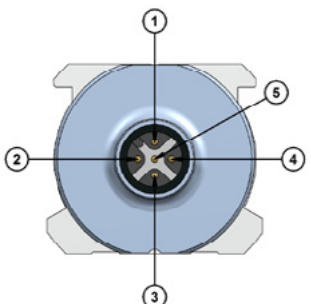
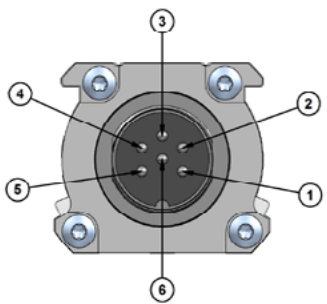


MAB-S



ELECTRICAL CONNECTION

MAB-A		MAB-C		MAB-S	
Function	Pin	Function	Pin	Function	Pin
Output 1: 0...10 V, 4...20 mA	1	n. c.	1	Data -	1
Output 1 and 2: GND	2	Supply +	2	Data +	2
Output 2: 10...0 V, 20...4 mA	3	Supply GND	3	Clock +	3
Supply GND	4	CAN H	4	Clock -	4
Supply +	5	CAN L	5	Supply +	5
				Supply GND	6

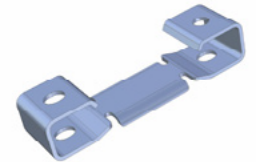
ACCESSORIES

Brackets (not included in delivery!)

1 set includes 2 brackets. We recommend to use 1 set for each third of the measurement range.

Type: PKIT091

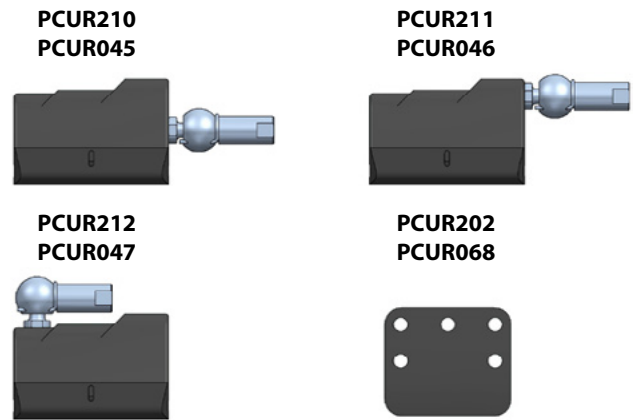
- Material: stainless steel
- Overall length: 63.5 mm
- Distance between mounting holes: 50 mm
- Mounting screws: M5



Magnetic cursors (not included in delivery!)

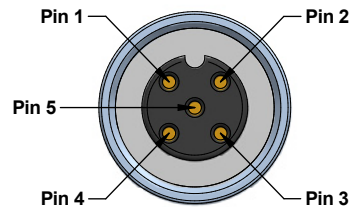
Magnetic cursors for MAB-A and MAB-S	Magnetic cursors for MAB-C	Description
PCUR210	PCUR045	standard version; guided sliding, axial joint, low
PCUR211	PCUR046	guided sliding, axial joint, high
PCUR212	PCUR047	guided sliding, angled joint
PCUR202	PCUR068	unguided floating

The adjustment has to be done 2...7 mm above the MAB-profile. Allowed lateral deviation ± 2 mm. Installation only on a support made of non-magnetic material.



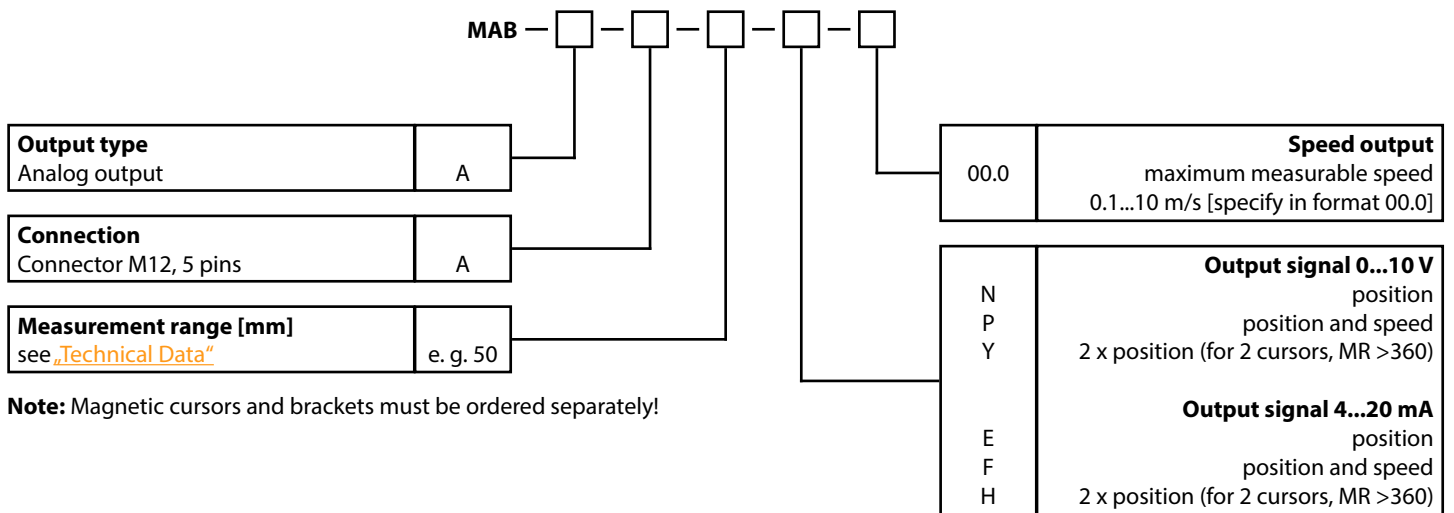
Connection cable for analog output

Cable with mating connector M12, female, 5 pins, IP67	
K5PXM-S-M12	X m, straight connector, shielded
K5PXM-SW-M12	X m, angular connector, shielded

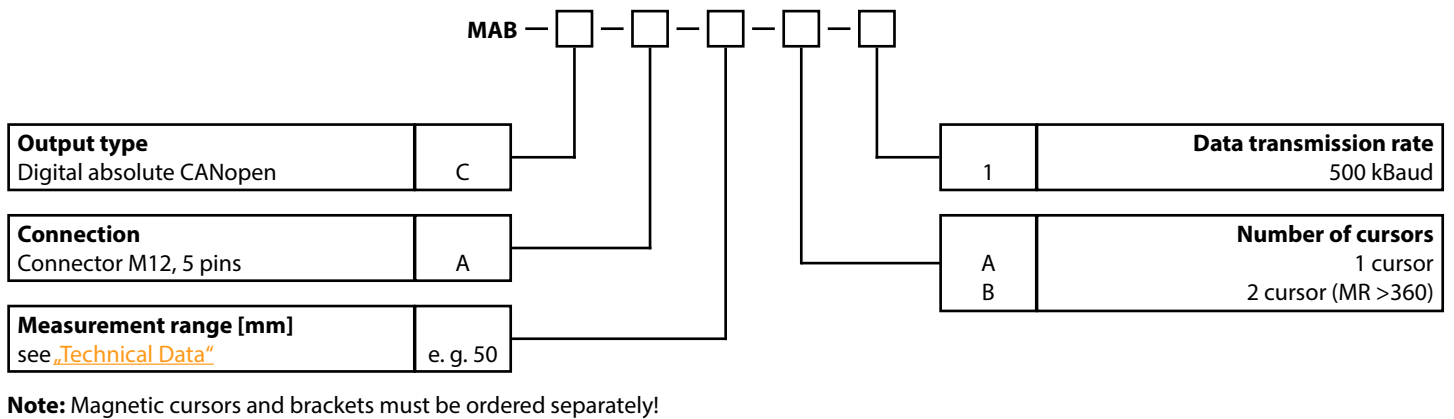


Pin	cable colour
1	BN
2	WH
3	BU
4	BK
5	GY

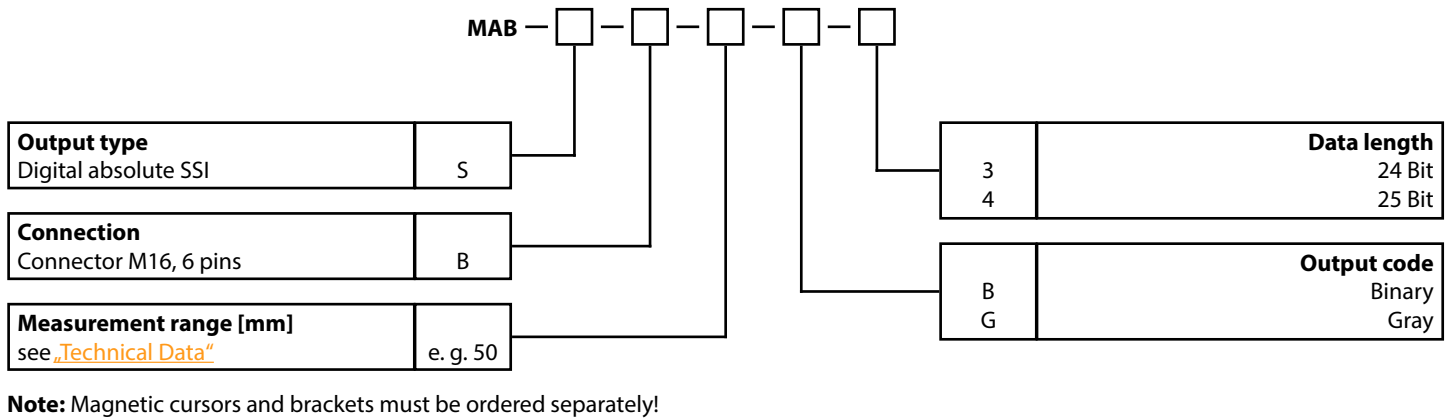
ORDER CODE ANALOG OUTPUT



ORDER CODE DIGITAL ABSOLUTE CAN_{OPEN}



ORDER CODE DIGITAL ABSOLUTE SSI



ACCESSORIES

Magnetic cursors for analog output and SSI

PCUR210	guided sliding, axial joint, low
PCUR211	guided sliding, axial joint, high
PCUR212	guided sliding, angled joint
PCUR202	unguided floating

Mounting set

PKIT091	Brackets (2 pieces)
---------	---------------------

Cable with mating connector M12 (female) for analog output

K5P2M-S-M12	2 m, straight connector, 5 pins, shielded
K5P5M-S-M12	5 m, straight connector, 5 pins, shielded
K5P10M-S-M12	10 m, straight connector, 5 pins, shielded
K5P2M-SW-M12	2 m, angular connector, 5 pins, shielded
K5P5M-SW-M12	5 m, angular connector, 5 pins, shielded
K5P10M-SW-M12	10 m, angular connector, 5 pins, shielded

Connector (female) for self assembly

D5-G-M12-S	straight connector M12, 5 pins, IP67
D5-W-M12-S	angular connector M12, 5 pins, IP67

Digital displays for sensors with analog output, 2 channel

WAY-AX-S	touch screen, supply: 18...30 VDC
WAY-AX-S-AC	touch screen, supply: 115...230 VAC

Magnetic cursors for CANopen

PCUR045	guided sliding, axial joint, low
PCUR046	guided sliding, axial joint, high
PCUR047	guided sliding, angled joint
PCUR068	unguided floating

Cable with mating connector M12 (female) for CANopen

K5P2M-SB-M12-CAN	2 m, connector male, plug female
K5P2M-S-M12-CAN	2 m, connector male, open ends
K5P2M-B-M12-CAN	2 m, plug female, open ends

Connector (female) for self assembly

CON022	straight connector M16, 6 pins, IP67
CON023	angular connector M16, 6 pins, IP67

Digital displays for sensors with SSI output, 2 channel

WAY-SX-S	touch screen, supply: 18...30 VDC
WAY-SX-S-AC	touch screen, supply: 115...230 VAC