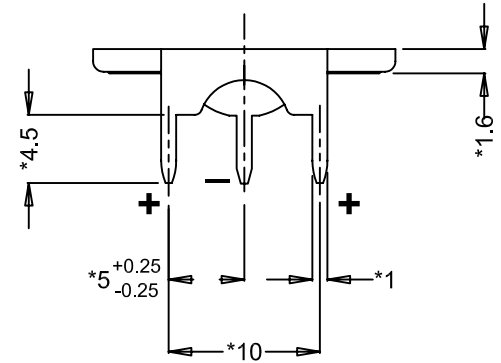
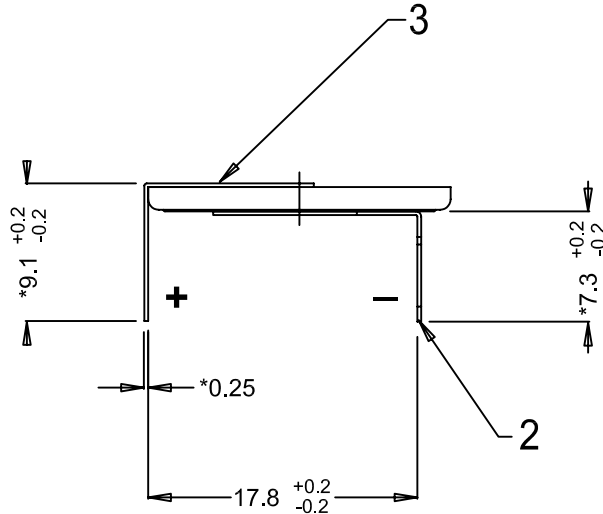
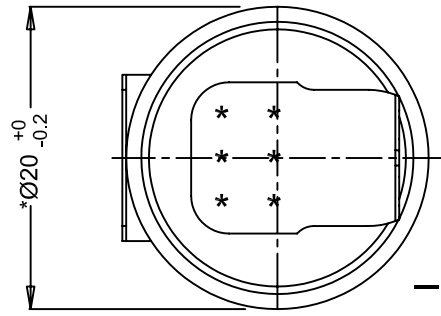


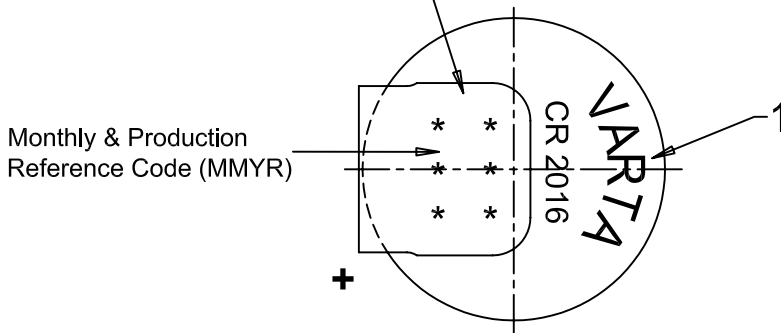
VARTA Microbattery

mobility for you

This is a controlled document.
 Hardcopy to be endorsed by authorized person.
 Check with Issuing Office or SAP system for latest update.



This tag positioned over country of origin thus ensuring visibility of cell reference



Note : *Dimensions for reference only.

3	R113/04	Change date code to MMYR was MMY Y to identification the laser machine	2004-12-22	Ratna
2	T18/01	To add the date code area for Lithium coin	2001-03-08	Yeni
1	T141/00	To change weld spot to 6 was 4	2000-11-11	Ratna
0		Converted from Crewkerne drawing	2000-08-29	Titis WS
No	AO No	Revisions	1	Date Name

Projection:		Material: Refer to part list no: 003266		Description: CR 2016 PCB battery with solder tags	
Dimensions in mm		Prepared & Checked 2000-08-29 Titis WS		Dwg. No: 003266	
Tolerance: As specified		Verified & Approved		4 0 3	
Scale: 2 : 1				VKB Order No: 06016 401 501	

Rights reserved to make technical changes, as a result of further development, without notice. This drawing is the property of VARTA Microbattery and must not be copied or disclosed to a third party without the written consent of VARTA Microbattery.

