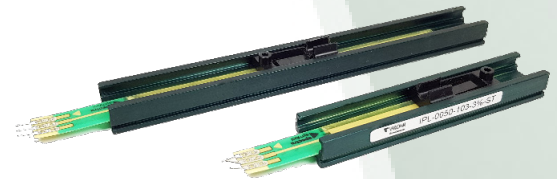


- High Life Cycle
- High Temperature Capability
- IP64 Dust Proof, Water Proof (Intense Spray)
- Compact design



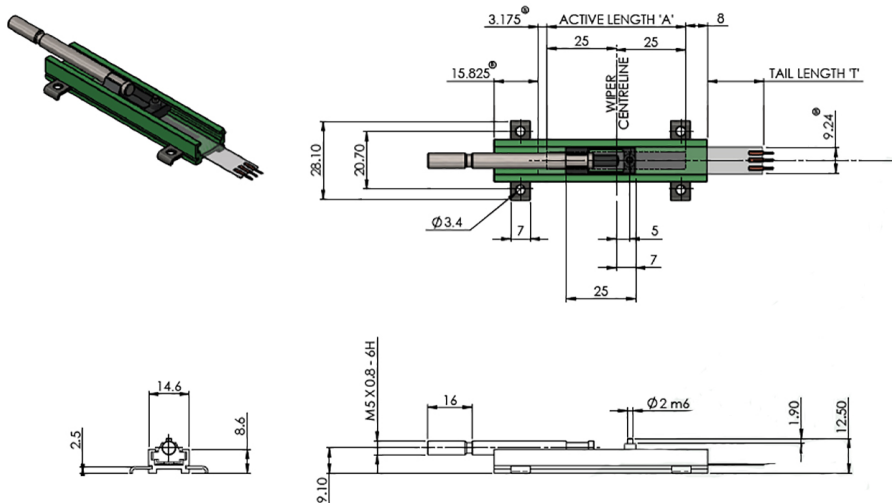
Variohm IPL linear sensors combine a robust and sealed membrane type linear potentiometer element in a convenient support housing that makes installation straightforward. The housing is made of a durable anodised aluminium frame and a molded wiper. The compact IPL series, available from 12.5 mm to 1000 mm stroke provides accurate linear measurement feedback for a wide range of applications. It is capable of operation in harsh environments with a temperature range of -40°C to + 85°C.

## Specifications

Mechanical	
Typical Life Cycle (membrane element)	>10 million
Actuation force	3.0 N average
Environmental	
Operating temperature	-40°C to +85°C
Humidity	No affect @ 95% RH, 24hrs 60°C
IP rating of active area	IP64

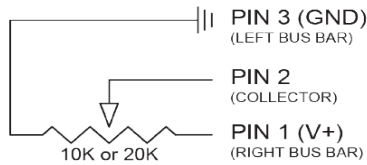
Electrical	
Resistance - Standard	10 kΩ (lengths >300 = 20 kΩ)
Resistance - Custom	5kΩ to 100 kΩ
Resistance Tolerance	±20%
Effective Electrical Travel	12.5 to 1200 mm
Linearity (Independent)	±3% (±1% on request)
Repeatability	+/- 0.5 mm
Power Rating (depending on size, varies with length and temperature)	1 Watt max. @ 25°C, 0.5 Watt recommended
Resolution	Analog output theoretically infinite; affected by variation of contact wiper surface area.
Dielectric Value	No affect @ 500VAC for 1 minute

## Dimensions - IPL

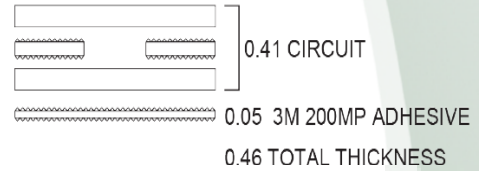


Dimension A - Active Length in mm	25.00	50.00	100.00	200.00	500.00
Dimension B - Shaft length	60	85	135	235	535
Dimension T - Tail Length in mm	12.7 mm	24.9mm			

## Wiring



## Membrane cross section

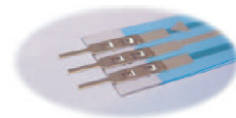


## Ordering information

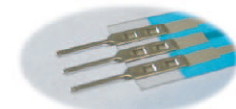
(Please use the characters in the chart below to construct your product code)

Sample Code: **IPL - 0050 - 103 - 3% - ST**

Series	Active Length mm	Resistance	Independant Linearity	Connectors
IPL	0012 = 12.5	Active Lengths < 300 103 = 10 KΩ Active Lengths > 300 203 = 20 KΩ	3% = ±3%* (±1% on request)	<b>ST = Solder Tab*</b> MP = Male Pins RH = Receptacles w/Plain Housing RL = Receptacles w/Latch Housing RD = Receptacles w/Detent Housing
	<b>0025 = 25*</b>			
	<b>0050 = 50*</b>			
	<b>0100 = 100*</b>			
	0150 = 150			
	0170 = 170			
	<b>0200 = 200*</b>			
	0300 = 300			
	0400 = 400			
	<b>0500 = 500*</b>			
0750 = 750				
1000 = 1000				



Crimpflex Solder Tab (ST)



Crimpflex Short Steckstifte (MP)



Crimpflex Buchsenleisten mit einem flachen Gehäuse (RH)



Crimpflex Buchsenleisten mit einem Rastgehäuse (RL)



Crimpflex Buchsenleisten mit einem Gehäuse mit Sperrriegel (RD)

Mounting brackets are included

**Shaft is optional (see table "Accessories")**

\*= Standard options (custom options available on request)

## Accessories: Shaft for IPL

Part number	Order No
IPL-0025 60 mm Schaft	14130
IPL-0050 85 mm Schaft	14131
IPL-0100 135 mm Schaft	14132
IPL-0200 235 mm Schaft	14133
IPL-0500 535 mm Schaft	14134

### Shaft Detail

