

Temperature sensors WMJ

Head type J // -40...200 °C



WMJ



Highlights

- For measurement of cooling water, lubricating oil and hydraulic oil temperature
→ Application in industrial and marine applications
- Simple alignment of the connection head → Simple installation on site
- Very high vibration resistance → Reliable and long-lasting operation
- Customer-specific variant possible → Simple integration into plants / systems
- Available as single and double resistance thermometers
- Optionally integrable transmitter → Simple integration into process control systems

Technical data

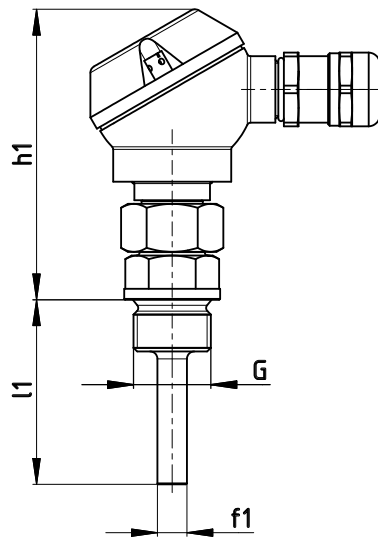
Type	Temperature sensor with connection head type J
Measuring range	-40...200 °C
Measuring medium	Water and aqueous liquids, non-aggressive gases
Immersion tube length	50...200 mm
Immersion tube diameter	8 mm or 12 mm
Process connection	G½, G¾, G1¼
Nominal pressure	PN 25
Ambient temperature	-40...85 °C
Storage temperature	-25...70 °C
Degree of protection according to EN 60529	IP54
Approvals	DNV, ABS, LR, BV, RINA

Electrical data

Measuring element	1 x Pt100 / 3-wire 2 x Pt100 / 2-wire 1 x Pt1000 / 2-wire 2 x Pt1000 / 2-wire
Measuring insert	Interchangeable
Accuracy	Class A / $\pm(0.15 \text{ K} + 0.002 \times \text{T})$ Class B / $\pm(0.30 \text{ K} + 0.005 \times \text{T})$
Electrical connection	Head type J with ceramic socket Head type J with transmitter
Analogue output	
Current signal	4...20 mA
Supply voltage	10...35 VDC
Scaling	Programmable
Signal error	NAMUR NE43

Technical drawing // Dimensions

WMJ



Dimensions [mm]

Type	l1	h1	G	f1
WMJ	50, 80, 100, 150 or 200	80	G½, G¾ or G¼	8 or 12

Materials

Materials

Not in contact with media

Connection head Die-cast aluminium, silver painted

In contact with media

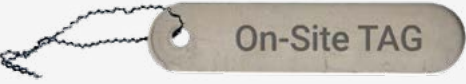
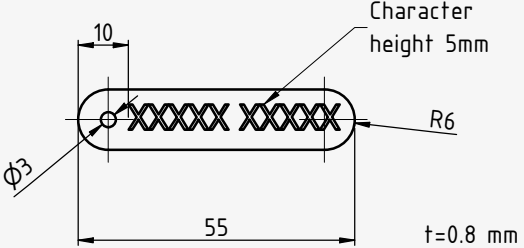
Process connection Stainless steel 1.4571

Protection tube Stainless steel 1.4571

Article numbers

Order code								
Type								
Resistance thermometer	W							
Diameter f1								
8 mm	08							
12 mm	12							
Material								
Stainless steel 1.4571		3						
Sensor element								
1 x Pt100 3-wire / Class B				P31				
1 x Pt100 2-wire / Class B				P21				
2 x Pt100 2-wire / Class B				P22				
1 x Pt1000 2-wire / Class B				P12				
2 x Pt1000 2-wire / Class B				P24				
Resistance thermometer / Class A				AXX				
Protection tube length l1								
50 mm					050			
80 mm					080			
100 mm					100			
150 mm					150			
200 mm					200			
Measuring insert								
Interchangeable						2		
Electrical connection								
Head type J with ceramic socket							J0	
Head type J with transmitter (without approvals and only with sensor element 1 x Pt100 2-wire)							JT	
Process connection G								
G½								2
G¾								3
G¼								L
Example order number	W	08	3	P31	050	2	J0	2

Accessories

Accessories	Order number
<p>Measuring point designation Laser-inscribed stainless steel plate with fixing wire for easy attachment to measuring points</p> <ul style="list-style-type: none">→ Scope of delivery: Designation plate inscribed according to specification and enclosed fixing wire (sealing wire)→ Fastening: Wire (included in delivery), alternatively sealing, cable ties or similar (not included in delivery)→ Materials: Plate stainless steel 1.4571, wire stainless steel→ Dimensions: Plate 55 x 10 x 0.8 mm, wire length 180 mm→ Inscription: one-sided, single-line, max. 11 characters, character height 5 mm, designation width max. 40 mm, letters, numbers, symbols, barcodes, QR codes→ Transmission of designations: digital list, file formats Excel, Word or CSV  	ONSITETAG