

# NMP820 SERIES MICRO DIAPHRAGM GAS PUMPS



NMP820KPDC



NMP820KPDC-B

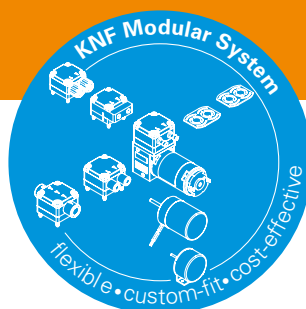
## ADVANTAGES

- Customizing available
- Tested to customers specs
- High performance to size, efficiency and weight ratio
- Excellent reliability/durability
- Speed controllable
- Low sound level
- Long service life
- Uncontaminated transfer
- Maintenance-free
- High chemical resistance
- Can be installed in any position

## POSSIBLE AREAS OF USE

- Medical devices
- Analytical equipment
- Emission measurement
- Reprographic
- Degassing
- Safety/Security
- Portable devices

Please visit our website  
[www.knf.com](http://www.knf.com)  
to get more information.



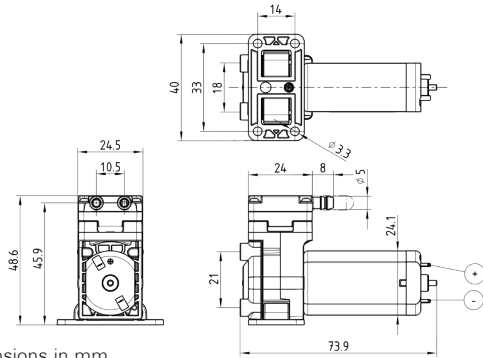
PERFORMANCE DATA					
Series Model	NMP820				
Material design	KPDC		KPDC-B /-B4		
Pump head	PPS				
Diaphragm	EPDM				
Valves	EPDM				
Flow rate at atm. pressure (l/min)	1.7	1.7	2.1	2.1	2.1
Ultimate vacuum (mbar abs.)	370	370	330	330	330
Ultimate pressure (bar rel)	1.0	1.0	1.2	1.2	1.2
Permissible media and ambient temperature (° C/° F)	+5° C to +40° C / 41° F to 104° F (extended temperature on request)				
Weight (g/oz)	92/3.25		93/3.28		
ELECTRICAL DATA					
Voltage (V)	12	24	6	12	24
Motor	DC		Brushless DC		
I <sub>max</sub> (A)	0.26	0.14	0.79	0.39	0.21

# NMP820KPDC

## PERFORMANCE DATA

Series model	Flow rate at atm. pressure (l/min)	Max. operating pressure (bar rel)	Ultimate vacuum (mbar abs.)
NMP820KPDC 12V	1.7	1.0	370
NMP820KPDC 24V	1.7	1.0	370

## NMP820KPDC



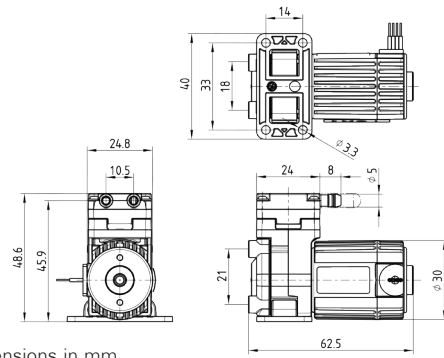
Dimensions in mm

# NMP820KPDC-B/-B4

## PERFORMANCE DATA

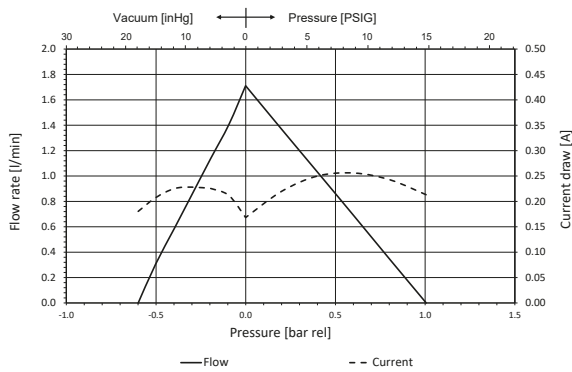
Series model	Flow rate at atm. pressure (l/min)	Max. operating pressure (bar rel)	Ultimate vacuum (mbar abs.)
NMP820KPDC-B 6V	2.1	1.2	330
NMP820KPDC-B4 6V	2.1	1.2	330

## NMP820KPDC-B/-B4

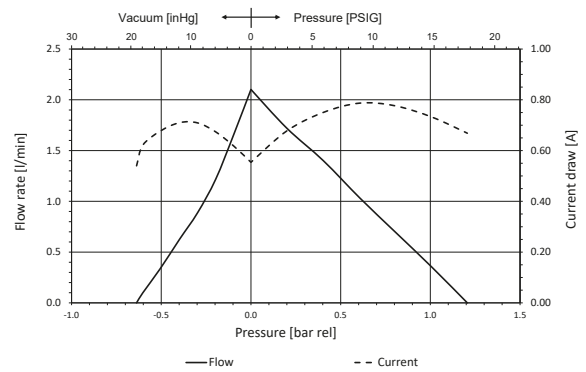


Dimensions in mm

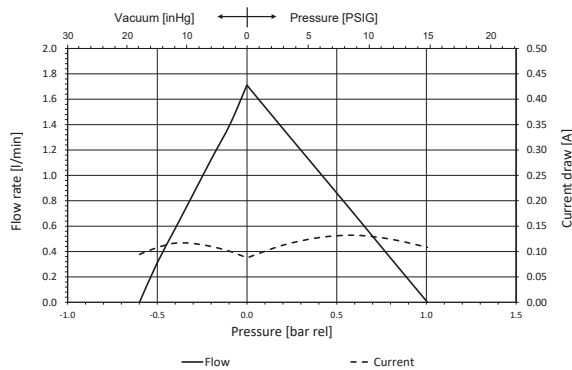
## NMP820KPDC 12V FLOW CURVE



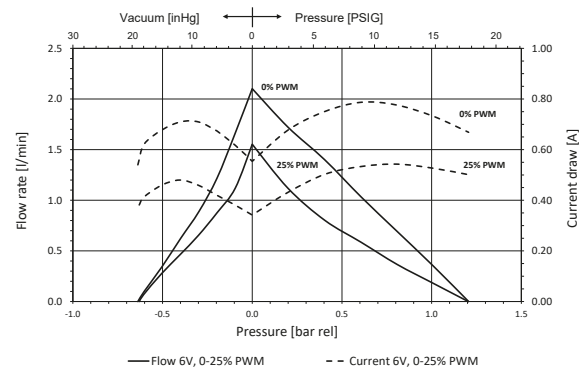
## NMP820KPDC-B 6V FLOW CURVE



## NMP820KPDC 24V FLOW CURVE



## NMP820KPDC-B4 6V FLOW CURVE

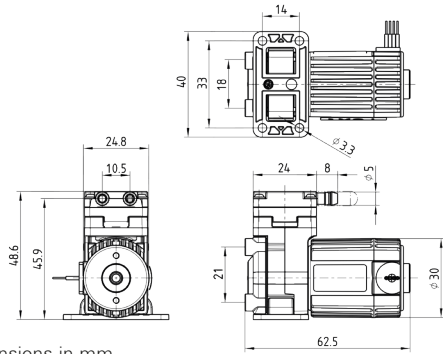


# NMP820KPDC-B/-B4

## PERFORMANCE DATA

Series model	Flow rate at atm. pressure (l/min)	Max. operating pressure (bar rel)	Ultimate vacuum (mbar abs.)
NMP820KPDC-B 12V	2.1	1.2	330
NMP820KPDC-B4 12V	2.1	1.2	330

## NMP820KPDC-B/-B4



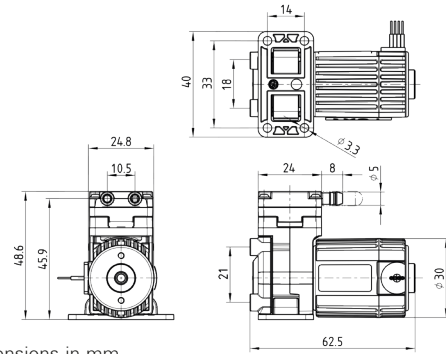
Dimensions in mm

# NMP820KPDC-B/-B4

## PERFORMANCE DATA

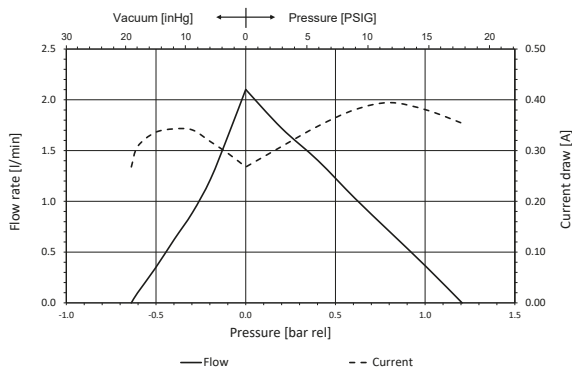
Series model	Flow rate at atm. pressure (l/min)	Max. operating pressure (bar rel)	Ultimate vacuum (mbar abs.)
NMP820KPDC-B 24V	2.1	1.2	330
NMP820KPDC-B4 24V	2.1	1.2	330

## NMP820KPDC-B/-B4

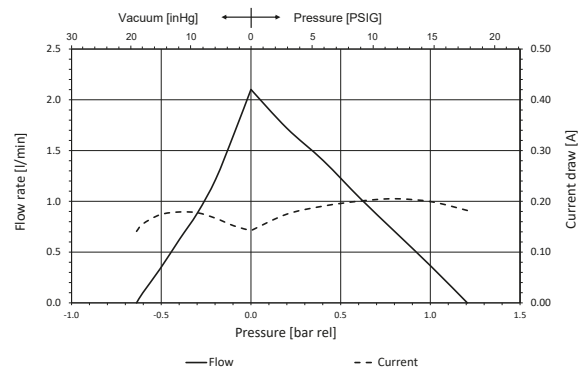


Dimensions in mm

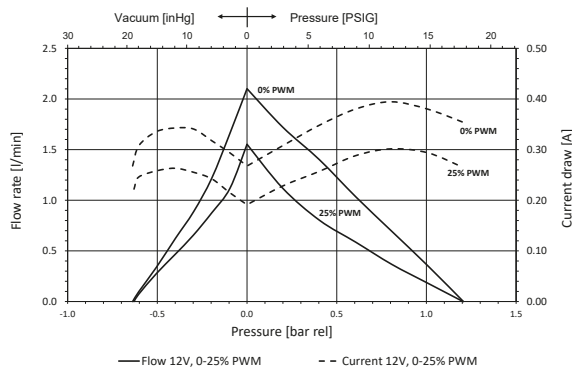
## NMP820KPDC-B 12V FLOW CURVE



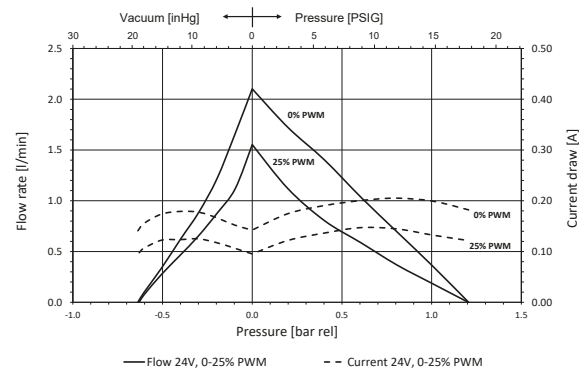
## NMP820KPDC-B 24V FLOW CURVE





## NMP820KPDC-B4 12V FLOW CURVE




## NMP820KPDC-B4 24V FLOW CURVE



OPTIONS			
Description	Illustration	Part No.	Details
Motors			Other motor options are available. Ask your KNF sales contact to find the best solution for you.
Eccentric			Other eccentricities are available to meet your operating point best.

ACCESSORIES			
Description	Illustration	Part No.	Details
Silencer		024805	For hose barbs
Rubber-bonded metal		On request	

SPARE PARTS			
Description	Illustration	Part No.	Details
Spare part kit NMP820KP NMP820KT NMP820KV		345996 345997 345998	One Kit per head containing valve and diaphragm.  For a double head pump two kits are required.

The performance values for the series models shown on this data sheet were determined under test conditions. The actual performance values may differ and depend in particular on the usage conditions and therefore on the specific application, on the parameters of the components involved in the user's system and on any technical modifications carried out which deviate from the standard configuration or the as delivered condition.

If individual designs have been created for specific customers on the basis of series models, other technical performance data may apply. Before operation begins, the relevant operating instructions and/or assembly or installation instructions should be read and the safety information contained in these instructions should be noted. KNF reserves the right to make changes to the product and the associated documentation without prior notice to the customer.



[www.knf.com](http://www.knf.com)