

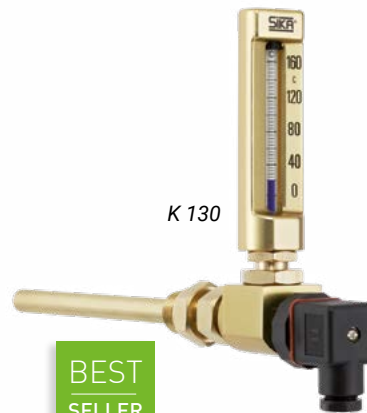
KombiTemp® // Angle plug

-30...200 °C



K 122

BEST
SELLER



K 130

BEST
SELLER



Highlights

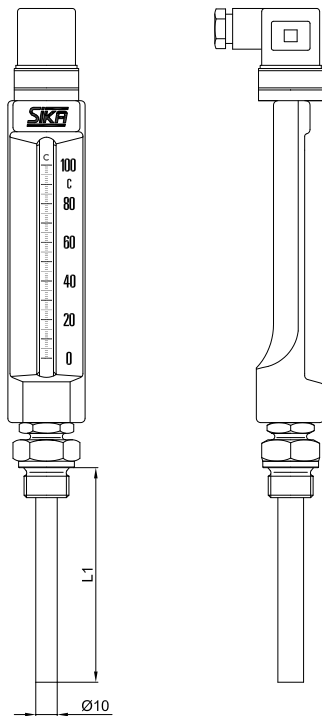
- High measurement reliability due to two independent measuring points
- Fast detection of malfunctioning probes or dial thermometers in the system to be checked
- Low installation costs, advantages of the industrial thermometer

Technical data	
Version	Straight Angle 90°
Dimensions housing	110 x 30 mm
Measuring range	-30...200 °C
Medium / Application	Liquid and gaseous media
Immersion tube length	63 mm, 100 mm or 160 mm
Immersion tube diameter	10 mm 12 mm
Process connection → Fixed thread connection	G½ or M20 x 1.5
Nominal pressure → Immersion tube brass → Immersion tube stainless steel	PN 16 PN 40
Thermometer capillary	Prismatic, Ø approx. 6 mm
Thermometer filling → Blue	-30...200 °C
Medium temperature	Depending on measuring range
Ambient temperature	-20...60 °C (only for indoor use)
Storage temperature	-25...60 °C
Degree of protection EN 60529	IP65
Approvals	
DNV (type K 122 only)	

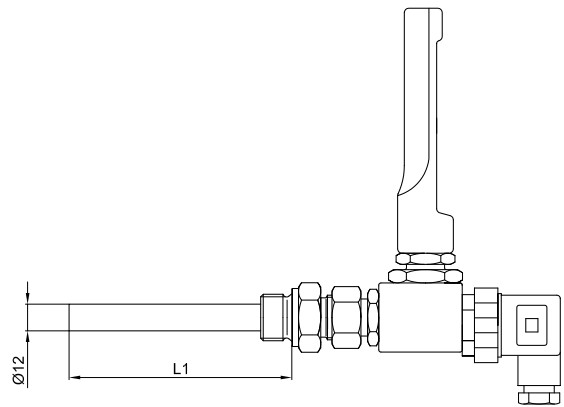
Electrical data	
Measuring element	1 x Pt100 / 3-wire 1 x Pt1000 / 2-wire
Accuracy	Class B
Electrical connection	Cable socket, angle type (DIN EN 175301-803)

Technical drawings

K 122



K 130



Materials

Materials	
Not in contact with medium	
Housing	Warm pressed aluminium part, gold anodized
In contact with medium	
Process connection	Brass or stainless steel 1.4571
Immersion tube	Brass or stainless steel 1.4571

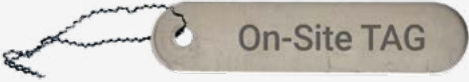
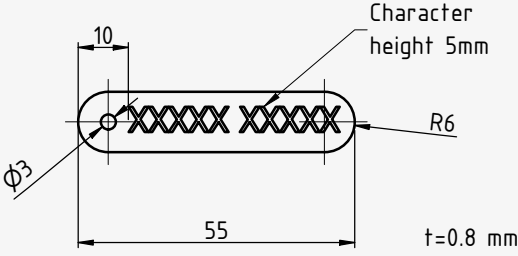
Article numbers

Order code							
Type							
K 122							
Straight	K122						
K 130							
Angle 90°	K130						
Display ranges							
-30...50 °C	35						
0...60 °C	06						
0...100 °C	10						
0...120 °C	12						
0...160 °C	16						
0...200 °C	20						
Immersion tube length L₁							
63 mm		063					
100 mm		100					
160 mm		160					
Process connection							
G½			2				
M20 x 1.5			7				
Immersion tube material							
Brass				1			
Stainless steel				3			
Electrical temperature sensor							
1x Pt100 / 3-wire / class B						10	
1x Pt1000 / 2-wire / class B						70	
Scale							
°C							0
°C and °F							2
Example order number	K122	35	063	2	1	10	0

BEST
SELLER

Type	Order number
K 122 Dimensions housing 110 x 30 mm, straight, fixed thread connection, 0...100 °C, L ₁ = 63 mm, G½, immersion tube material brass, 1x Pt100, Scale = °C, °F	K122 16 063 2 1 10 2
Dimensions housing 110 x 30 mm, straight, fixed thread connection, 0...100 °C, L ₁ = 63 mm, G½, immersion tube material brass, 1x Pt100, Scale = °C	K122 16 063 2 1 10 0
K 130 Dimensions housing 110 x 30 mm, angle 90°, fixed thread connection, 0...100 °C, L ₁ = 160 mm, G½, immersion tube material stainless steel, 1x Pt100, Scale = °C	K130 10 160 2 3 10 0
Dimensions housing 110 x 30 mm, angle 90°, fixed thread connection, 0...160 °C, L ₁ = 63 mm, G½, immersion tube material brass, 1x Pt100, Scale = °C, °F	K130 16 063 2 1 10 2

Accessories

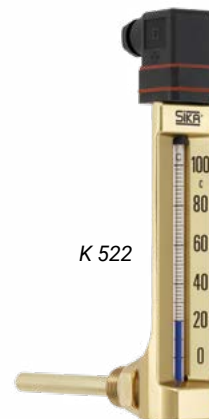
Accessories	Article number
<p>Measuring point designation Laser-inscribed stainless steel plate with fixing wire for easy attachment to measuring points</p> <ul style="list-style-type: none">→ Scope of delivery: Designation plate inscribed according to specification and enclosed fixing wire (sealing wire)→ Fastening: Wire (included in delivery), alternatively sealing, cable ties or similar (not included in delivery)→ Materials: Plate stainless steel 1.4571, wire stainless steel→ Dimensions: Plate 55 x 10 x 0.8 mm, wire length 180 mm→ Inscription: one-sided, single-line, max. 11 characters, character height 5 mm, designation width max. 40 mm, letters, numbers, symbols, barcodes, QR codes→ Transmission of designations: digital list, file formats Excel, Word or CSV  	<p>ONSITETAG</p>

KombiTemp® // Angle plug

-30...200 °C



K 422



K 522

Highlights

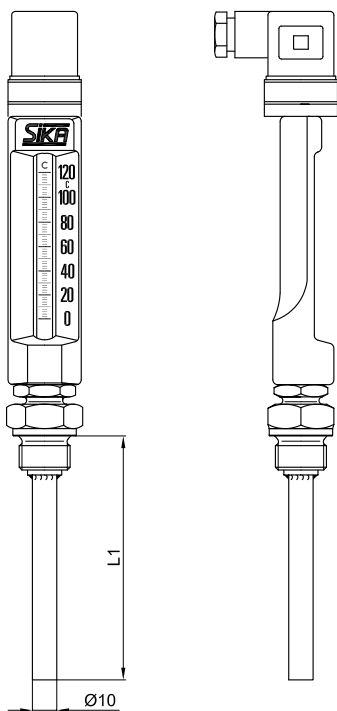
- High measurement reliability due to two independent measuring points
- Fast detection of malfunctioning probes or dial thermometers in the system to be checked
- Low installation costs, advantages of the industrial thermometer

Technical data	
Version	Straight Angle 90°
Dimensions housing	150 x 36 mm
Measuring range	-30...200 °C
Medium / Application	Liquid and gaseous media
Immersion tube length	63 mm, 100 mm or 160 mm
Immersion tube diameter	10 mm
Process connection → Fixed thread connection	G½ or M20 x 1.5
Nominal pressure → Immersion tube brass → Immersion tube stainless steel	PN 16 PN 40
Thermometer capillary	Prismatic, Ø approx. 6 mm
Thermometer filling → Blue	-30...200 °C
Medium temperature	Depending on measuring range
Ambient temperature	-20...60 °C (only for indoor use)
Storage temperature	-25...60 °C
Degree of protection EN 60529	IP65
Approvals	
DNV	

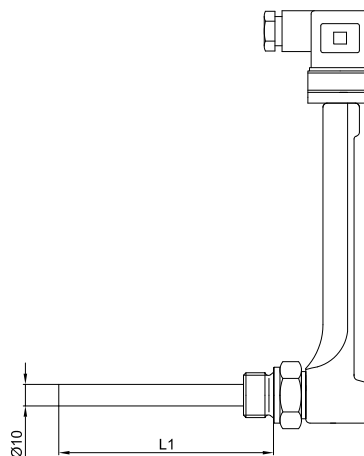
Electrical data	
Measuring element	1 x Pt100 / 3-wire 1 x Pt1000 / 2-wire
Accuracy	Class B
Electrical connection	Cable socket, angle type (DIN EN 175301-803)

Technical drawings

K 422



K 522



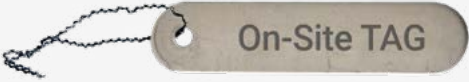
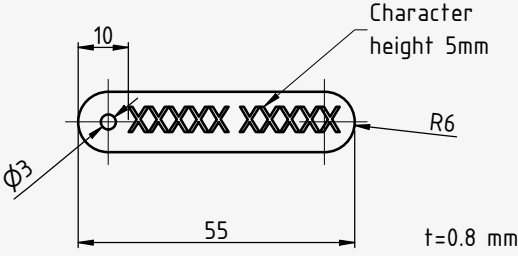
Materials

Materials	
Not in contact with medium	
Housing	Warm pressed aluminium part, gold anodized
In contact with medium	
Process connection	Brass or stainless steel 1.4571
Immersion tube	Brass or stainless steel 1.4571

Article numbers

Order code							
Type							
K 422							
Straight	K422						
K 522							
Angle 90 °	K522						
Display ranges							
-30...50 °C	35						
0...60 °C	06						
0...100 °C	10						
0...120 °C	12						
0...160 °C	16						
0...200 °C	20						
Immersion tube length L₁							
63 mm		063					
100 mm		100					
160 mm		160					
Process connection							
G½			2				
M20 x 1.5			7				
Immersion tube material							
Brass					1		
Stainless steel					3		
Electrical temperature sensor							
1x Pt100 / 3-wire / class B						10	
1x Pt1000 / 2-wire / class B						70	
Scale							
°C							0
°C and °F							2
Example order number	K422	35	063	2	1	10	0

Accessories

Accessories	Article number
<p>Measuring point designation Laser-inscribed stainless steel plate with fixing wire for easy attachment to measuring points</p> <ul style="list-style-type: none">→ Scope of delivery: Designation plate inscribed according to specification and enclosed fixing wire (sealing wire)→ Fastening: Wire (included in delivery), alternatively sealing, cable ties or similar (not included in delivery)→ Materials: Plate stainless steel 1.4571, wire stainless steel→ Dimensions: Plate 55 x 10 x 0.8 mm, wire length 180 mm→ Inscription: one-sided, single-line, max. 11 characters, character height 5 mm, designation width max. 40 mm, letters, numbers, symbols, barcodes, QR codes→ Transmission of designations: digital list, file formats Excel, Word or CSV  	<p>ONSITETAG</p>