

# Professional Extra Bright Signage Displays

## PDX Series

55" / 75"

Resolution:

55" & 75": 1920x1080 (FHD)

75"-1000 cd/m<sup>2</sup>: 3840x2160 (UHD)

Brightness: 1000, 2500 cd/m<sup>2</sup>

Operation: 24/7

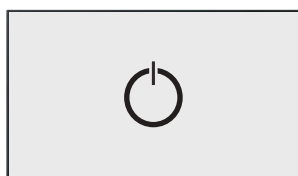
Bezel: 38 mm (T/R/L), 38 mm (B)

Interface: HDMI 2.0 / VGA / USB / RS232 /

RJ45 / RJ12 / IR / HP / Audio / Speaker

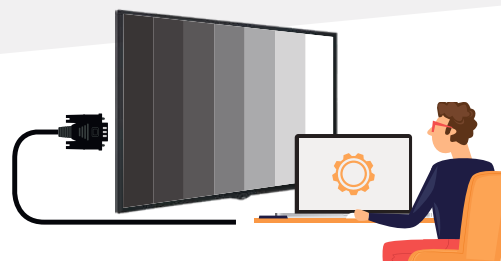


The highest brightness levels with many scheduling functions makes this product suitable for high sunlight closures suitable for indoor and semi-outdoor environments.



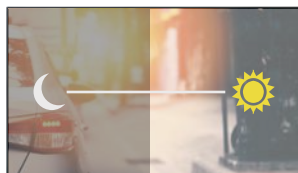
### Temperature Control

Temperature control allows you to set an internal temperature limit for the display. The monitoring system will ensure the display is shutdown when that temperature is reached. You can also receive this temperature information through RS232 or SNMP for monitoring on external systems



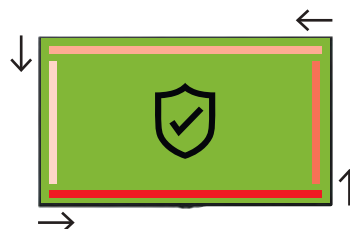
### Display Control over RS232 and LAN

Our platform allows users to control their displays, using a large range of commands through either a Local Area Network or direct RS232 Serial connection.



### Brightness Scheduler

Customization of a range of brightness levels via manual setup without any sensor requirement is made available using the brightness scheduling feature. The feature also helps to decrease the energy expenses while saving the environment and extending the life of the monitor.



### Pixel Shifting

The Pixel Shifting feature can be activated in order to reduce the potential risk of image sticking when static content is displayed over long periods of time. The feature periodically shifts the image on the display, without causing any interference of the visual experience.

# Professional Extra Bright Signage Displays

## PDX Series

55"/75"

1. HDMI OUT
2. HDMI IN 1
3. DP IN
4. DP OUT
5. HP
6. IR IN
7. HDMI IN 2
8. HDMI IN 3
9. HDMI IN 4
10. OPTICAL SPDIF
11. RJ12-SENSORS
12. RJ12
13. AUDIO IN L/R
14. DSUB9-RS232
15. VGA
16. RJ45
17. USB 2
18. USB 1



### KEY SERIES FEATURES

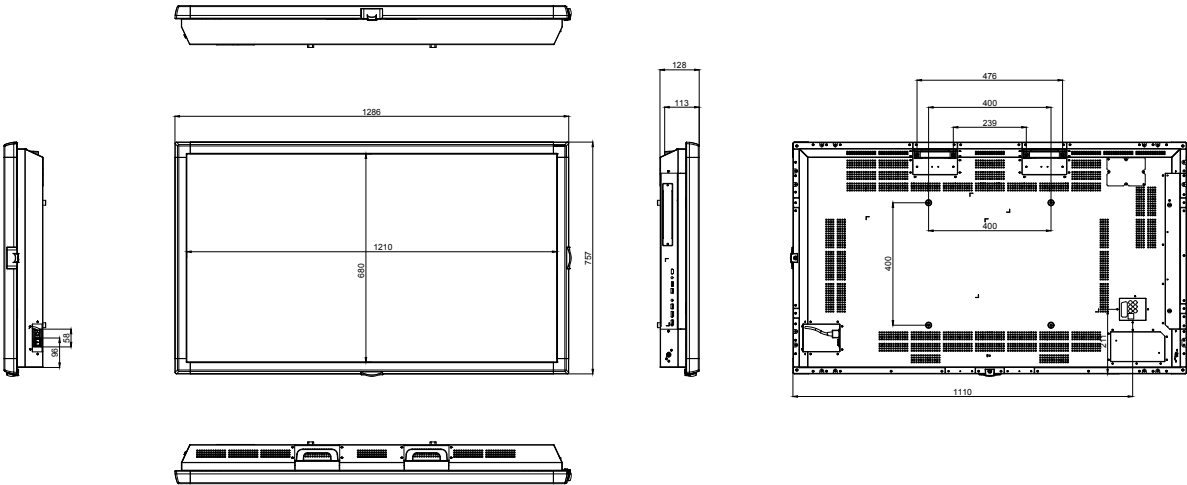
- Brightness Scheduling
- Sensor Compatibility
- Temperature Control
- Display Control
- Pixel Shifting
- Signal Failover
- Input Search
- Scheduler
- USB Cloning
- USB Operations
- USB Information
- USB Safe Eject
- USB Auto-Play
- HDMI Wakeup
- HDMI Switching
- HDMI CEC
- HDMI Auto-Switch
- Improved UI
- IP Streaming Support
- Color Calibration(VW)
- Playlist Creation
- SoC CMSHTML5 API Support
- Professional Design
- Longer Life Span
- OPS Support
- USB Secure Cover
- Carrying Handles
- IR Extender
- Detachable Logo
- Detachable Power Cord
- OSD Rotation
- Button Lock
- RCU Lock
- Menu Lock
- Device ID
- Display Lifetime
- Serial Number
- Software Upgrade
- Start Url
- OPS Status
- OPS Power Control
- Power-up Mode
- Power on Delay
- Auto-Launch
- Boot-up Picture
- Videowall Settings
- Daisychain
- Volume Limit
- Startup Volume
- Headphone Volume

# PDX Series

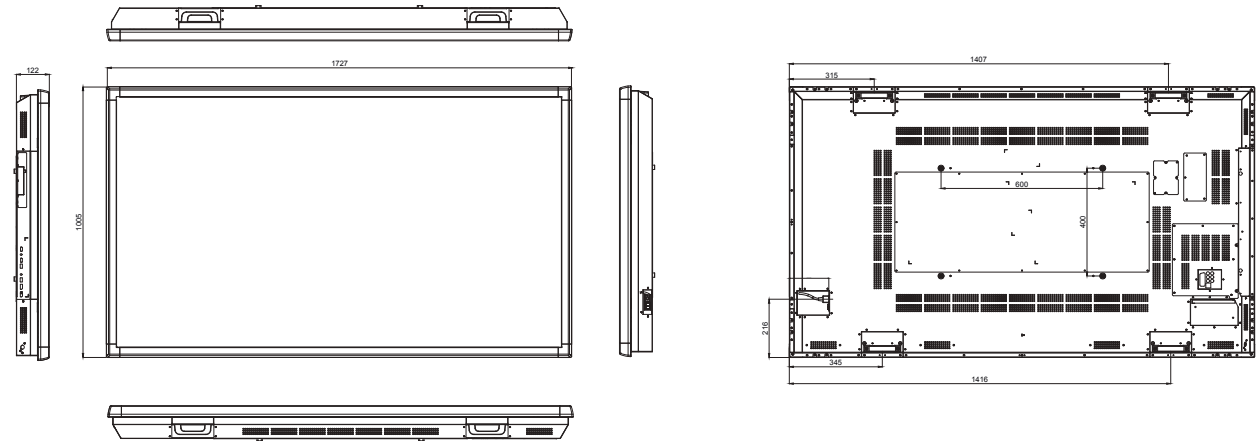
Model Name	PDX55SF89/4	PDX75SF89/4	PDX75UF86/4
<b>Panel</b>			
Screen Size	55"	75"	75"
Panel Technology	SVA	SVA	IPS
Backlight Type	Direct-Type LED	Direct-Type LED	Direct-Type LED
Brightness (typical)	2500 cd/m <sup>2</sup>	2500 cd/m <sup>2</sup>	1000 cd/m <sup>2</sup>
Native Resolution	1920 x 1080	1920 x 1080	3840 x 2160 (16:9) - UHD
Contrast Ratio (typical)	5000:1	5000:1	1200:1
Dynamic Contrast Ratio	250000:1	250000:1	100000:1
Panel Life Time (Min.)	50000 Hrs	50000 Hrs	50000 Hrs
Response Time (typical)	6 ms	6 ms	8 ms
Active Area (H x V)	1210 x 680 mm	1650 x 928 mm	1650 x 928 mm
Pixel Pitch (H x V)	0.6428 x 0.6428 mm	0.8595 x 0.8595 mm	0.429 x 0.429 mm
PPI (pixel per inch)	40	30	59
Viewing Angle	178° Vert., 178° Hor. (89U/89D/89L/89R) @ CR>10	178° Vert., 178° Hor. (89U/89D/89L/89R) @ CR>10	178° Vert., 178° Hor. (89U/89D/89L/89R) @ CR>10
Display Colours	16.7 M (8-bit)	1.07 B (10-bit)	1.07 B (10-bit)
Screen Treatment	1H	1H	2H
Haze Level	0%	0%	3%
Refresh Rate	120 Hz	120 Hz	60 Hz
Front Type	SNB	SNB	Ultra Narrow Bezel
Orientation	Landscape / Portrait	Landscape / Portrait	Horizontal / Vertical
Operation Hours	24/7	24/7	24/7
Area of Usage	Indoor	Indoor	Indoor
<b>Mainboard</b>			
Mainboard Model	17MB135VS	17MB135VS	17MB135VS
<b>Monitor Connectivity</b>			
RGB Input	VGA(DE-15F)	VGA(DE-15F)	VGA(DE-15F)
RGB Output	N/A	N/A	N/A
Video Input	4xHDMI2.0, 1xDPI.2a, 2xUSB2.0, USB2.0(Internal)	4xHDMI2.0, 1xDPI.2a, 2xUSB2.0, USB2.0(Internal)	4xHDMI2.0, 1xDPI.2a, 2xUSB2.0, USB2.0(Internal)
Video Output	HDMI2.0, DPI.2a	HDMI2.0, DPI.2a	HDMI2.0, DPI.2a
Audio Input	Line In L/R	Line In L/R	Line In L/R
Audio Output	Headphone, Optic SPDIF	Headphone, Optic SPDIF	Headphone, Optic SPDIF
External Control	RS232(DE-9F), Ethernet(RJ45), Service(RJ12)	RS232(DE-9F), Ethernet(RJ45), Service(RJ12)	RS232(DE-9F), Ethernet(RJ45), Service(RJ12)
External Sensor	RJ12	RJ12	RJ12
<b>Mechanical</b>			
Product Dimensions (WxDxH)	1286 x 128 x 757 mm	1727 x 122 x 1005 mm	1684 x 100 x 967 mm
Package Dimensions (WxDxH)	1480 x 265 x 930 mm	1990 x 265 x 1227 mm	1948 x 210 x 1170 mm
Product Weight	38.85 kg	64.15 kg	37
Package Weight	49.45 kg	78.6 kg	52
Vesa Mounting	400 x 400 mm	600 x 400 mm	600 x 400 mm - M6
Bezel Width	B:38   T:38   L/R:38 mm	B:39   T:39   L/R:39 mm	B:21   T:16   L/R:16 mm
<b>Environmental Conditions</b>			
Operating Temperature	0-40°C	0-40°C	0-40°C
Operating Humidity	10-90%	10-90%	10-90%
<b>Power</b>			
Power Supply	110 VAC - 240 VAC / 50-60Hz	110 VAC - 240 VAC / 50-60Hz	110 VAC - 240 VAC - 50/60 Hz
<b>Power Consumption</b>			
Typical	412 W	721 W	240 W
Deep Standby	≤0.5 W	≤0.5 W	≤0.5 W
<b>Power Consumption</b>			
Typical	412 W	721 W	240 W
Deep Standby	≤0.5 W	≤0.5 W	≤0.5 W
<b>Features</b>			
Main Features	Open Content Management Support, Scheduler, USB-Autoplay, Auto-Launch, HDMI-CEC, HDMI-Wakeup, Auto-switch on Failover, Panel Lock, OSD Rotation, NoSignalPowerOff, Screen Saver, Pixel shift, Scheduler, Videowall support, remote control via LAN, Real Time Clock	Open Content Management Support, Scheduler, USB-Autoplay, Auto-Launch, HDMI-CEC, HDMI-Wakeup, Auto-switch on Failover, Panel Lock, OSD Rotation, NoSignalPowerOff, Screen Saver, Pixel shift, Scheduler, Videowall support, remote control via LAN, Real Time Clock	Open Content Management Support, Scheduler, USB-Autoplay, Auto-Launch, HDMI-CEC, HDMI-Hotplug, Auto-switch on Failover, Panel Lock, OSD Rotation, NoSignalPowerOff, Screen Saver, Pixel shift, Scheduler, Videowall support, remote control via LAN, Real Time Clock
Mechanical Features	Joystick, IR Extender Support, Rocker Switch, Detachable power cable, Carrying slots, Detachable logo positioning, Internal usb cover, Cable Holder	Joystick, IR Extender Support, Rocker Switch, Detachable power cable, Carrying slots, Detachable logo positioning, Internal usb cover, Cable Holder	Joystick, IR Extender Support, Rocker Switch, Detachable power cable, Carrying slots, Detachable logo positioning, Internal usb cover, Cable Holder
Optional Features	OPS Compliance	OPS Compliance	OPS Compliance, IR Overlay Touch Compliance
<b>Accessory</b>			
Standard	QSG, IB, Power Cord, Remote Control Unit, RC Battery, Mounting Kit, Extension Brackets, IR Extender Cable	QSG, IB, Power Cord, Remote Control Unit, RC Battery, Mounting Kit, Extension Brackets, IR Extender Cable	QSG, IB, Power Cord, Remote Control Unit, RC Battery, Mounting Kit, Extension Brackets, IR Extender Cable
<b>Certification</b>			
Safety	Yes	Yes	Yes
EMC	Yes	Yes	Yes
CB	Yes	Yes	Yes
CE	Yes	Yes	Yes

**PDX Series**

**PDX55SF87/4**



**PDX75SF87/4**



**PDX55UF86/4**

