

MIC-770 V2

Compact Fanless System with 10th Gen Intel® Xeon®/Core™ i CPU Socket (LGA 1200)

NEW



Features

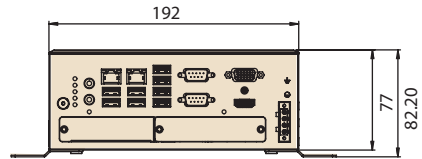
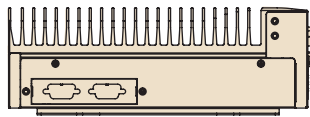
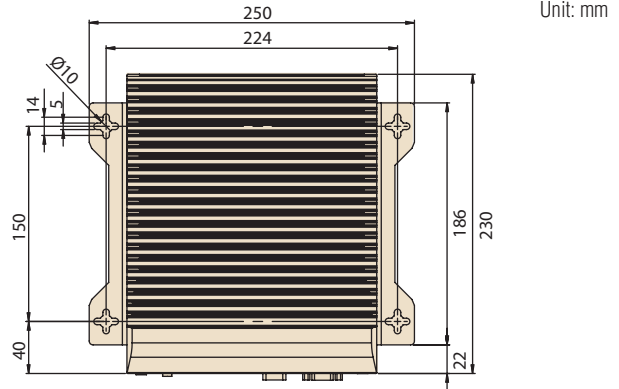
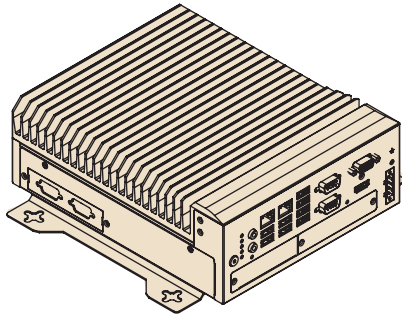
- Intel® 10th Gen Xeon®/Core™ i CPU socket-type (LGA1200) with Intel® W480E/H420E chipset
- Wide operating temperature (-10 ~ 60 °C)
- VGA and HDMI output
- 2 x GigaLAN, 2 x USB 3.2 (Gen2) and 6 x USB 3.2 (Gen1)
- 2 x RS-232/422/485 and 4 x RS232 serial ports (Optional)
- 1 x 2.5" HDD/SSD, and 1 x mSATA
- 9 ~ 36 V_{DC} input power range
- IP40 dust proof for deployment in harsh environment
- Supports FlexIO and iDoor technology, flexible configure additional HDMI, DVI, Comport, DIO, Remote switch IO
- Supports Advantech i-Modules
- Supports Advantech SUSI-API and embedded software APIs



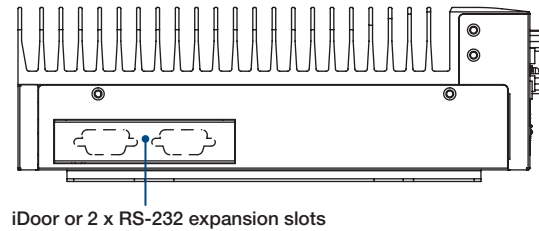
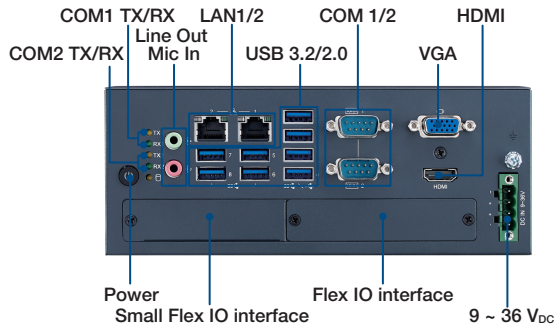
Specifications

10 th Generation Processor (TDP 35W)	CPU	W-1290TE*	W-1270TE*	W-1250TE*	i9-10900TE	i7-10700TE	i5-10500TE	i3-10100TE	G6400TE	G5900TE	
	Core/Thread number	10/20	8/16	6/12	10/20	8/16	6/12	4/8	2/4	2/2	
	Base Frequency	1.80 GHz	2.00 GHz	2.40 GHz	1.80 GHz	2.00 GHz	2.30 GHz	2.30 GHz	3.20 GHz	3.00 GHz	
	Max Turbo Frequency	4.50 GHz	4.40 GHz	3.80 GHz	4.50 GHz	4.40 GHz	3.70 GHz	3.60 GHz			
	L3 Cache	20 MB	16 MB	12 MB	20 MB	16 MB	12 MB	6 MB	4 MB	2 MB	
	Temperature	-10 ~ 60 °C (w/ industrial wide-temp SSD, 0.7m/s air flow)									
	Chipset	W480E/H420E *Xeon CPU supported by W480E SKU									
BIOS	AMI 256Mb/128Mb SPI Flash										
10 th Generation Processor (TDP 65W)	CPU	i9-10900E	i7-10700E	i5-10500E	i3-10100E	G6400E (58W)	G5900E (58W)				
	Core/Thread number	10/20	8/16	6/12	4/8	2/4	2/2				
	Base Frequency	2.80 GHz	2.90 GHz	3.10 GHz	3.20 GHz	3.80 GHz	3.20 GHz				
	Max Turbo Frequency	4.70 GHz	4.50 GHz	4.20 GHz	3.80 GHz						
	L3 Cache	20 MB	16 MB	12 MB	6 MB	4 MB	2 MB				
	Temperature	-10 ~ 50 °C (w/ industrial wide-temp SSD, 0.7m/s air flow)									
	Chipset	W480E/H420E									
BIOS	AMI 256Mb/128Mb SPI Flash										
Memory	Technology	Dual-channel DDR4 2933/2666 MHz (W480E SKU supports ECC)									
	Socket	2 x 260-pin DDR4 SODIMM (up to 32GB per socket)									
Display	Maximum Capacity	64GB									
	Chipset	Xeon and Core i: Intel® HD Graphics 630, supports DirectX 12 Pentium/Celeron: Intel® HD Graphics 610, supports DirectX 12									
	VGA	1 x DB15, up to 1920 x 1200 maximum resolution									
	HDMI	1 x HDMI, up to 4096 x 2160@30Hz (with optional expansion cable for 2nd HDMI or 1 x DVI connector)									
Ethernet	Multiple Display	W480E: 3 x independent displays (third display output via optional cable) H420E: 2 x independent displays									
	Controller	W480E LAN1: Intel® I219LM, LAN2: Intel® I210IT H420E LAN1: Intel® I219V, LAN2: Intel® I210IT									
Storage	Interface	2 x RJ45									
	HDD	1 x 2.5" HDD/SSD (up to 2 x 2.5" SSD by optional kit; 2 x 3.5" HDD by i-Module)									
	mSATA	1									
I/O	RAID	0/1/5/10 (W480E SKU only)									
	USB	W480E: 2 x USB3.2 (Gen2), 6 x USB3.2 (Gen1), 1 x USB 2.0 (Internal) H420E: 4 x USB3.2 (Gen1), 4 x USB2.0									
	Serial Port	2 x DB9, RS-232/422/485 support auto flow control; 4 x RS-232 (Optional)									
Expansion	Audio	2 (1 x line out and 1 x mic in)									
	Module	Supports Advantech i-Modules									
LED and Switch	Mini PCIe/mSATA	W480E: 1 x mini PCIe (via Nano-SIM), 1 x mini PCIe/mSATA H420E: 1 x mini PCIe (via Nano-SIM), 1 x mSATA									
	LED	2 (1 x Storage and 1 x Power), 4 for COM1 TX/RX and COM2 TX/RX									
	Button	1 x Power on/off switch									
Power	Remote Switch	Yes, 2pin terminal block (Optional)									
	Type	ATX/AT									
	Input Voltage	9 ~ 36 V _{DC}									
Watchdog Timer	Power consumption	Typical: 35.3W Maximum: 112W									
	Output	System reset									
Environment	Interval	Programmable 1 ~ 255 sec/min									
	Temperature	65W CPU w/ industrial wide Temp. SSD				35W CPU w/ industrial wide Temp. SSD			Non-operating		
	Humidity	-10 ~ 50 °C with 0.7 m/s air flow									
	Vibration	95% @ 40 °C (non-condensing)									
	Shock	With SSD: 3 Grms @ 5 ~ 500 Hz, random, 1 hr/axis With 2.5" HDD: 1 Grms @ 5 ~ 500 Hz, random, 1 hr/axis									
Mechanical	Dimensions (W x H x D)	77 x 192 x 230 mm (3.07" x 7.55" x 9.05")									
	Weight	2.8 kg (6.17 lbs)									
	Installation	Desktop/wall mount									
Certifications	EMC	CE/FCC Class A, CCC, BSMI									
	Safety	CB/UL, CCC, BSMI									
OS Support	Windows 10, Windows 10 IoT, Linux OS										

Dimensions



Front View



Ordering Information

Part Number	VGA	HDMI	2.5" HDD/SSD	mSATA	USB3.2 (Gen2)	USB3.2 (Gen1)	USB 2.0	GbE	COM	PCIe	Power
MIC-770W-20A1	1	1	1	1	2	6	0	2	2, up to 6 (Optional)	i-Module (optional)*	9 ~ 36V _{DC}
MIC-770H-20A1	1	1	1	1	0	4	4	2	2, up to 6 (Optional)	i-Module (optional)*	9 ~ 36V _{DC}

Packing List

Part Number	Description	Quantity
MIC-770 V2	MIC-770 V2 bare system	1
2041077030	MIC-770 V2 startup manual (ENG+TC+SC)	1
1652003234	4-pin Phoenix power connector	1
1960070543T005	2 x Mounting bracket	2
1700013095	SATA cable	1
1700024372-01	SATA power cable	1
2170000093-01	CPU thermal grease	1
1990019498N000	RAM thermal pad	2

Optional i-Modules*

Part Number	Description
MIC-75M40-00A2**	4-slot expansion module (4 x PCIe slots)
MIC-75M13-00A2	4-slot expansion module (1 x PCIe and 3 x PCI slots)
MIC-75M20-00C1	2-slot expansion module (2 x PCIe slots)
MIC-75M20-01A2**	2-slot expansion module (2 x PCIe slots)
MIC-75M11-00A2	2-slot expansion module (1 x PCIe and 1 x PCI slots)
MIC-75M10-00A2	1-slot expansion module (1 x PCIe)
MIC-75S20-00A2	2-slot expansion and storage module (2 x PCIe and 2 x 2.5 removable 2.5" storage bay)
MIC-75G20-10A2	GPU Card expansion module (2 x PCIe and 2 x removable 2.5" storage bay)
MIC-75G30-10A2**	Dual GPU card expansion module (3x PCIe and 2 x removable 2.5" storage bay)
98R17520301	2 x 3.5" HDD kit

*Please refer to i-Module datasheet for more detail.

** W480E SKU only

Embedded OS

Part Number	Description
20706WX9HS0120	img MIC-770V2H Win10 IoT Ent 2019 64b 1809, High End
20706WX9VS0124	img MIC-770V2H Win10 IoT Ent 2019 64b 1809, Value
20706WX9ES0134	img MIC-770V2H Win10 IoT Ent 2019 64b 1809, Entry
20706WX9HS0121	img MIC-770V2W Win10 IoT Ent 2019 64b 1809, High End
20706WX9VS0125	img MIC-770V2W Win10 IoT Ent 2019 64b 1809, Value
20706WX9ES0135	img MIC-770V2W Win10 IoT Ent 2019 64b 1809, Entry

Optional Accessories

Part Number	Description
Adaptor	
96PSA-A230W24P4-3*	ADP A/D 100-240V 230W 24V C14 TERMINAL BLOCK 4P
96PSA-A150W19P4-3**	ADP A/D 100-240V 150W 19V C14 TERMINAL BLOCK 4P
1702002600	Power cord (USA) UL/CSA, 3-pin, 10A, 125V, 1.83 M, 180 D
1700022940-01	Power cord PSE, 3-pin, 7A, 125V, 3M, DAC-ST01
1702002605	Power Cord (EU), 3-pin, 10A, 250V 1.83M, 90D
Din Rail PSU	
96PSD-A240W24-MN	A/D 100-240V 240W 24V NDR DIN RAIL
1700031170-01	DC-DC power cord, A cable TEM*4/TEM*4 UL2464 18AWG 150cm
1700029720-01	AC-DC power cord (US), M cable AC CONN 3P 183cm
1700030520-01	AC-DC power cord (CN), M cable conn 3P CCC 10A 250V 150cm
1700031408-01	AC-DC power cord (EU), M cable conn 3P/G-TEM*3 80CM

* Suggest to use for MIC-770 V2 with i-Module added.

** Suggest to use for MIC-770 V2 without i-Module added.

Note:

- MIC-770 V2 supports Advantech iDoor modules (both MOS and PCM series), excluding the PoE model.
- The PCM series module requires a bracket (P/N: 1960065854N001) that must be ordered separately.

Optional Flex I/O* & Kits

Part Number	Description
Flex I/O	
AIIS-DIO32-00A1E**	AIIS GPIO module (32 bit)
PCA-TPM-00B1E	TPM 2.0 module
98R17500101	MIC HDMI/Remote power on/off FIO
98R17500301	MIC HDMI kit FIO
98R17500401	MIC Remote power on/off FIO
98R17500601	MIC COMport kit FIO
98R17500701	MIC Remote power on/off kit for SFIO
98R17500801	MIC Reset/Remote power on/off/5VDC kit FIO
98R17500901	MIC GPIO kit FIO
98R17501001	MIC DP kit FIO
Advanced Flex I/O***	
98910770301	MIC NVMe + 4 LAN Advanced FIO
98910770401	MIC NVMe Advanced FIO
98910770501	MIC 4 PoE Advanced FIO
Storage Kit	
98R1752010E	2nd 2.5" HDD/SSD kit (used in 2-slot i-Module)
98R1752020E	2 x 2.5" SSD kit (Thickness: 7mm)
Mounting Kit	
98R17500210	MIC Din Rail Mounting kit
98R17500501	MIC Wall Mounting kit

* Please refer to Flex I/O datasheet for more detail.

** AIIS-DIO32 requires a DB37 bracket (P/N: 1960068787N002)

*** W480E SKU only