

10" Resistive Touch Monitor

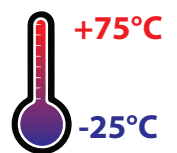
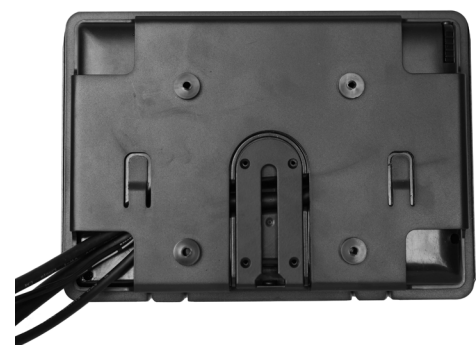


- High resolution support (e.g. 1080p, 1920×1200 pixels)
- 3 video inputs, extended current input (8-36V)
- Extended temperature range, 24/7-operation
- Suitable for usage with HTPC, in industrial area, kiosk systems, for machine control, home automation, on farm machinery and many other areas
- Extra robust components, mountable, Backlight LED, high quality pedestal

The latest version (V.2) of faytech's 7"-12" Touchscreen Monitor Series has numerous detail improvements including lockable standard connections, a unique cable channeling back cover and mounting frames for machine and wall mount integration. Additionally each model has faster start up and reaction times because of our improved controller chipset.

The series retains its rich assortment of features including: LED backlights, 4-wire resistive touch panel, extra robust components, extended current input (8-36V), VGA+HDMI ports, three video inputs, wall mountable, a high-quality pedestal, and extended temperature range. Each Touchscreen Monitor comes with faytech's 100% guarantee of no defective pixels, and is suitable for 24/7 operation.

The high resolution support (e.g. 1080p, 1920×1200 pixels) of these faytech touchscreens make them the perfect choice for a wide variety of applications. Some of these include: use as a surveillance monitor when combined with a HTPC or with security cameras; as control panels in the industrial area; in kiosk systems; as cash monitor or information terminals; for machine control; home automation; on farm machinery; on forklifts in distribution centers; wind turbine controls; telematics in transportation systems and in many other areas.



Product name	10" Resistive Touch Monitor
Article code / EAN numer	FT10TMB / 6920734010110

Anti-glare LCD Panel	
IP rated front panel	IP40
Screen diagonal (Inch/cm):	9.77/24.64
Display active screen size:	19.70x14.70
Aspect ratio:	4:3
Physical resolution:	1024x768
Maximum showable resolution (TPCs: external):	1920x1200
Colours displayed:	16.7M
Brightness (cd/m2):	350
Contrast:	800:1
Typical reaction time Tr/ Tf (ms):	10/15
Visual Angle horizontal/vertical (°):	170/170
Backlight / Backlight Lifetime (hours):	LED / 20,000

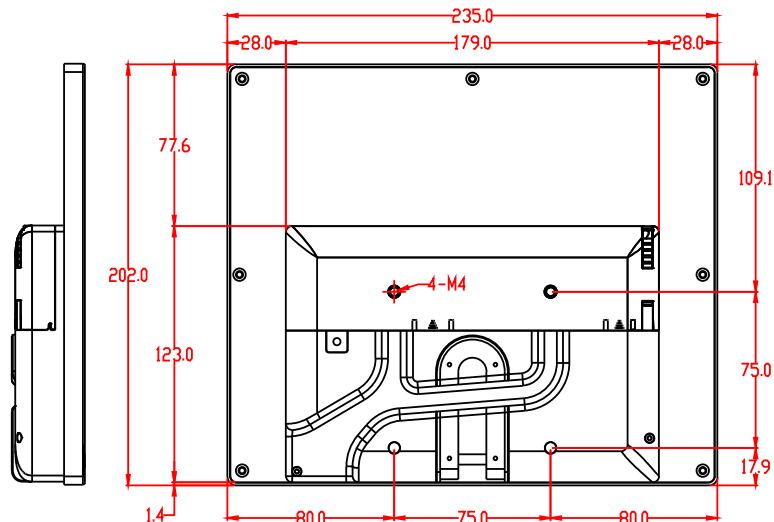
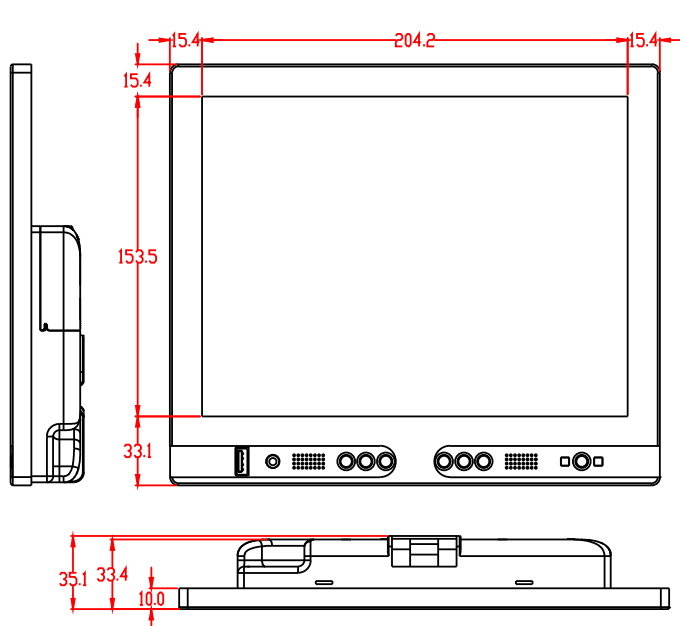
External Connectors	
Video	1x HDMI 1.1 (incl. HDCP)
	1x VGA
	1x Video1
	1x Video2_Backview
	1x Backview-Detect
Audio	1x YpbPr
	1x VGA-Audio
	1x Video-Audio
Touch Connector	1x Earphone-Out
	1x USB
Connectors	1x Serial
	1x 8~36V DC-IN
	1x USB (Front)

Touch Panel	
Touch Technology	4-Wire Resistive
Touch Connector	USB & Serial
Touch Panel Drivers	Windows; Linux; Mac; Android
Touch Life (Contacts)	1 million touch in 1 location
Surface Hardness	3H

Operation / Mechanical	
Operating Temperature (°C)	-25 ~ +75
Humidity Range (RH)	10%-90%
Net weight (kg)	0.75
Gross weight (kg)	2.20 (incl. cartonage)
Housing material	Plastic
Housing (cm) LxWxH	23.50 x 20.20 x 3.89
Mounting	VESA 75

Power	
Power Indicator	Green LED
Power Supply	100-240V ACDC active switching; 12V DC-Out
Working Power (V)	8~36
Power Consumption (W)	7
Stand-By Consumption (W)	<0.5

Included in the Delivery	
Power Supply (see Power section)	
Stylus	
Remote Controller	
Driver DVD	
Short Installation Manual	
Cables - VGA, USB Touch	
Car Adapter	
faytech FTV75PSFI Stand	
Mounting Frame	



Corporate Headquarters

faytech Tech. Co., Ltd.
 Building F., Hongmen Tech. Zone,
 Jihua Rd., Shenzhen, China 518129

support@faytech.com
contact@faytech.com
www.faytech.com

China: +86 755 89580612
 Germany: +49 551 82098660
 USA: +1 646 205 3214