



**sylvac sa**

CH-1400 Yverdon-les-Bains (Suisse)

e-mail : [vente@sylvac.ch](mailto:vente@sylvac.ch)  
[sav@sylvac.ch](mailto:sav@sylvac.ch)  
web site : [www.sylvac.ch](http://www.sylvac.ch)

Ref. Nr:

**PM 308.001.071**

Available for:

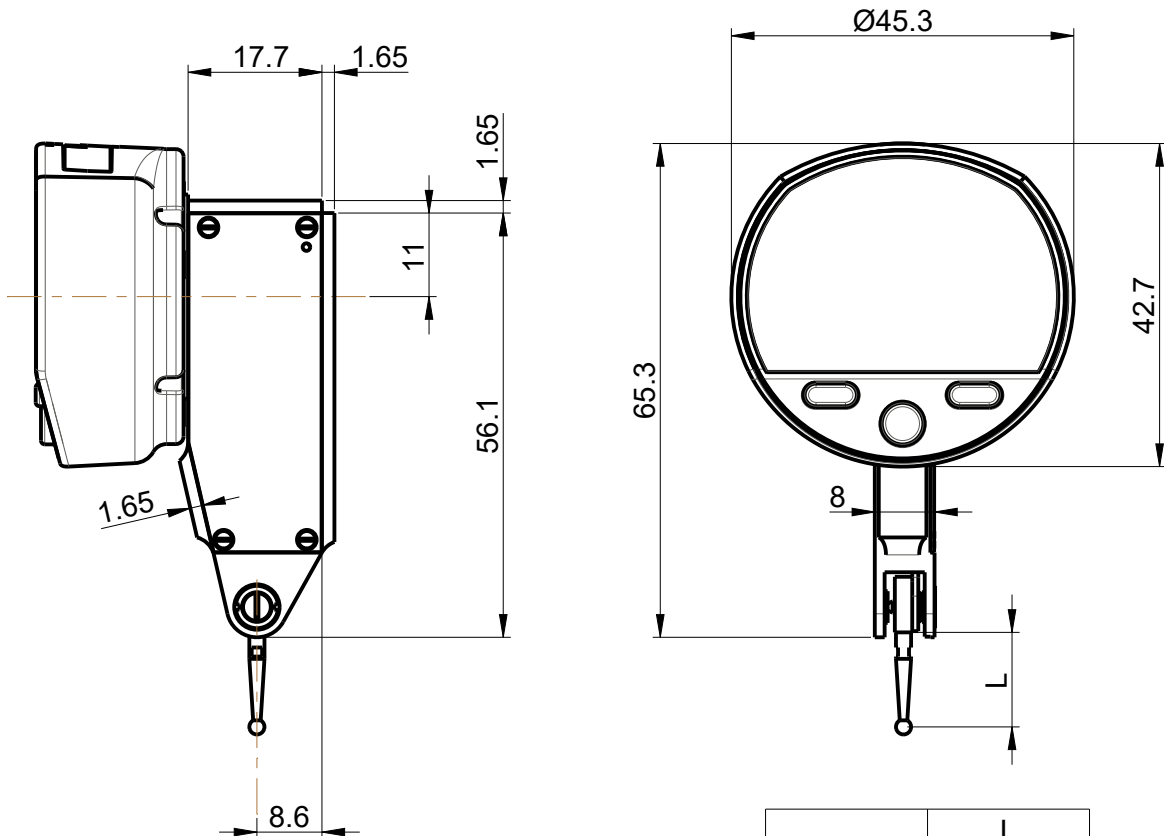
**805.4321**  
**805.4322**  
**805.4323**



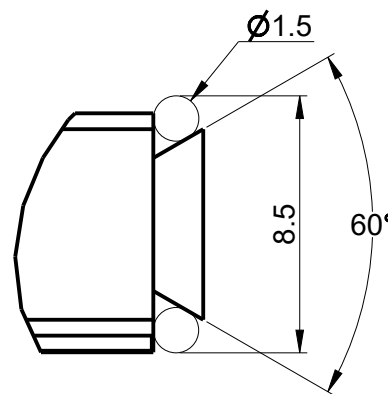
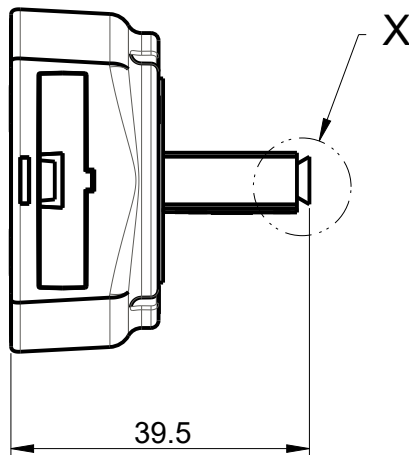
Dimensions in mm

**S\_Dial TEST Smart**

Rev.	Date	Visa
-	19-Mar-20	FSt



	L
805.4321	12.5
805.4322	36.5



**DETAIL X**  
**ECHELLE 4:1**