

**sylvac sa**

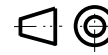
CH-1023 Crissier (Suisse)

e-mail : vente @ sylvac.ch
sav @ sylvac.ch
web site : www.sylvac.ch

Ref. Nr:

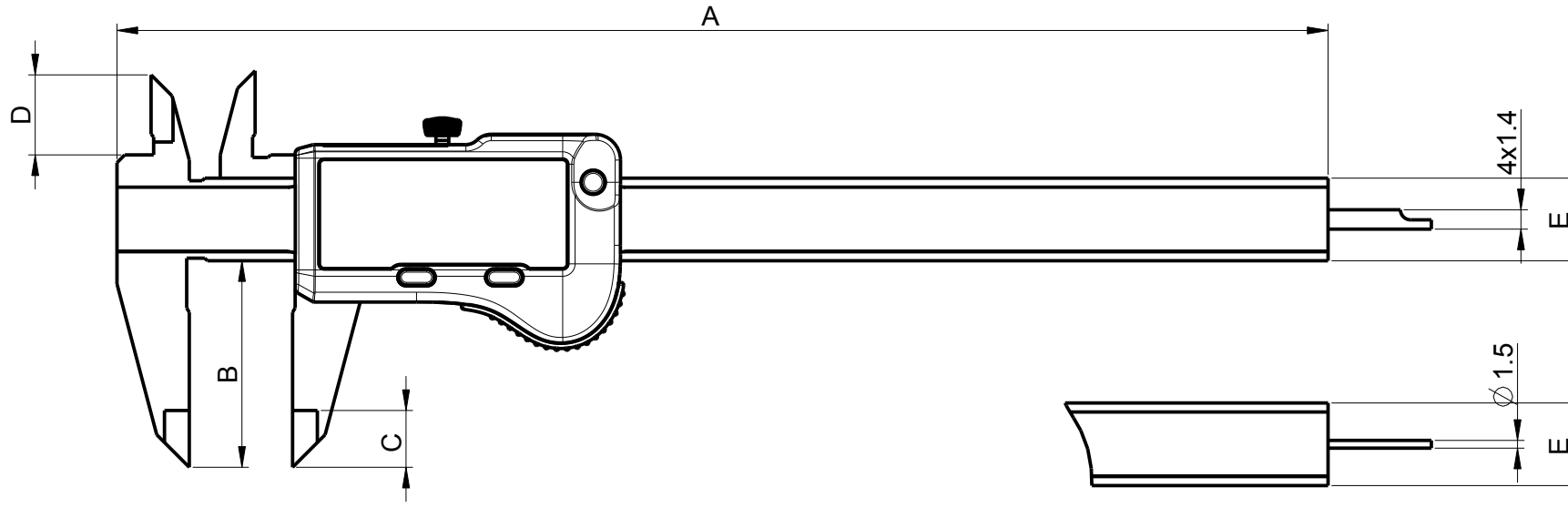
PM 295.930.071

Available for:



Dimensions in mm

Rev.	Date	Visa
-	06-Oct-17	FSt

S_Cal EVO Proximity

Range	150mm	150mm	200mm	300mm
A	234.5	234.5	290.5	388
B	40	40	50	64
C	11	11	14	14
D	16	16	19	19
E	16 x 3.5	16 x 3.5	16 x 3.5	16 x 4
Depth	4 x 1.4	Ø 1.5	4 x 1.4	-