

PPC-321W EHL

21.5" Fanless Panel PC with Intel® Celeron® J6412 Processor



Features

- Industrial-grade 21.5" Full HD TFT LCD with 50K backlight lifetime
- Durable true-flat touchscreen with projected capacitive touch control
- Intel® Celeron® J6412 quad-core, 2.6 GHz, processor
- Up to 32 GB DDR4 SDRAM
- 1 x RS-232, 1 x RS-232/422/485, 2 x USB 2.0, and 2 x USB 3.0
- Compact, fanless design with solid aluminum alloy enclosure and IP65-rated front panel
- Supports E-key for wireless module
- Supports expansion via M.2 slot
- Supports Windows Embedded and Android OS
- Supports VESA 75 x 75 mounting holes



Introduction

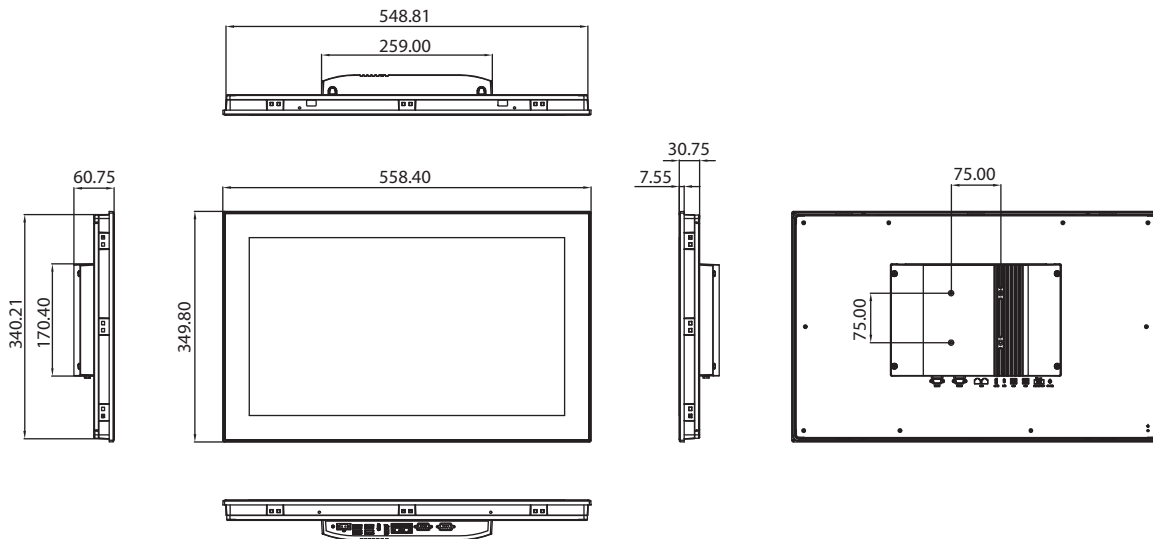
The PPC-321W EHL is an industrial panel PC equipped with 21.5" Full HD TFT LED LCD, powered by low-power Intel J6412 processor yet high performance computing system. PPC-321W EHL adopts whole aluminum alloy enclosure, with rear cover assembled for easier maintain yet all in one piece through reliable fixation, realizes ultra slim compact fanless design. Despite satisfying USB 2.0&3.0 ports, PPC-321W EHL also provides type C that enables advanced compatibility in diverse industrial applications. Moreover, to provide enhanced function expansion, PPC-321W EHL embedded with M.2 M-Key and E-Key slots support for storage expansion and wireless module.

Specifications

System	CPU	Intel® Celeron® J6412 quad core
	Frequency	2.6 GHz
	L2 Cache	2 MB
	Memory	1 x SDRAM DDR4 3200 MHz (max. 32G)
	Storage	1 x 2.5" SATA bay (optional; requires a bracket module for installation) 1 x M.2 slot: M key for storage (SATA only, 2242 & 2280)
	Network (LAN)	2 x 10/100/1000 Mbps Ethernet (Intel I225-LM)
	I/O	2 x Serial ports: 1 x RS-232, 1x RS-232/422/485 (Adjustable through BIOS) 2 x USB 2.0, 2 x USB 3.0 1 x Type C 1 x HDMI1.4
	Expansion	1 x M.2 slot: E key for wireless module (Type: 2230)
	Watchdog Timer	255 timer levels, set up by software
Physical Characteristics	Dimensions	558 x 350 x 61 mm (22 x 13.8 x 2.4 in)
	Weight	7.24 kg (15.96 lb)
OS Support	OS Support	Microsoft® Windows 10(64-bit), Linux, Android 10
Power Consumption	Input Voltage	12 ~ 30 V _{DC}
	Power Consumption	41.6W (Burn-in test 8.1 in Windows 10, 64-bit)
LCD	Display Type	21.5" TFT LCD (LED backlight)
	Resolution	1920 x 1080
	Viewing Angle	89 (left), 89 (right), 89 (up), 89 (down)
	Luminance (cd/m ²)	250
	Contrast Ratio	1000
	Backlight Lifetime	50,000 hr (min.)
Touchscreen	Touch Type	ELO Projected Capacitive Multi-touch
	Light Transmission	88±2%
	Controller	USB interface
	Durability (Touches)	Cover glass > 7H
Environment	Operating Temperature	0 ~ 50 °C (32 ~ 122 °F)
	Storage Temperature	-20 ~ 60 °C (-4 ~ 140 °F)
	Relative Humidity	10 ~ 95% @ 40 °C (non-condensing)
	Shock	Operating 10 G peak acceleration (11 ms duration), follow IEC 60068-2-27
	Vibration	Operating Random Vibration Test 5 ~ 500Hz, 2Grms @with SSD, follow IEC 60068-2-64
	EMC	CE, FCC Class B, BSMI, UKCA
	Safety	CB, CCC, BSMI, UL
Front Panel Protection	IP65 compliant	

Dimensions

Unit: mm

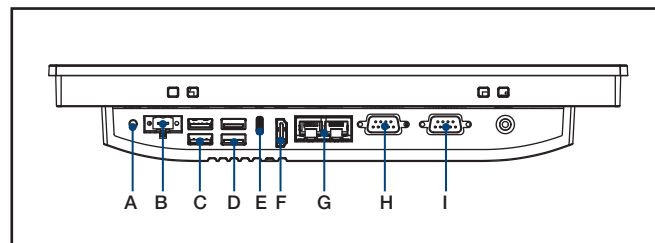


Panel Cutout Dimensions: 550.3 x 341.8 mm (21.66 x 13.45 in)

Ordering Information

Part Number	Description
PPC-321W-PJ60A	Intel Celeron J6412 Fanless Panel PC with 21.5" Full HD LED backlight, resistive touch control, assembled in China
PPC-321W-PJ60AU	Intel Celeron J6412 Fanless Panel PC with 21.5" Full HD LED backlight, projected capacitive multi-touch control, assembled in China
PPC-300EHL-HDD	Bracket module for 2.5" SSD/HDD installation
96PSA-A90W190T-3	A/D 100-240V 90W 19V C6 TERMINAL 2 PIN 62368
PPC-WLAN-C1E	M.2 Wi-Fi Module with Antenna cable support 2T2R
PPC-ARM-A03	ARM VESA Standard (A-CLEVER)
PPC-174T-WL-MTE	Wall mount kit
PPC-Stand-A1E	Stand
1700001524	Power cord 3P UL 10A 125V 1.8M
170203183C	Power cord 3P Europe (WS-010+083) 183cm
1700008921	Power cord 3P/3P 1.8M PSE
96CB-POWER-B-1.8MB	Power cord 3P CCC(China) 1.8M

I/O View



- A. Power Switch
- B. DC-In
- C. 2 x USB 2.0
- D. 2 x USB 3.0
- E. 1 x Type C
- F. 1 x HDMI
- G. 2 x LAN
- H. 1 x RS-232/422/485
- I. 1 x RS-232

Please note: If some optional modules are offered with the system, additional system certificates may be required in certain regions/countries. Please contact Advantech for certificate compliance.