



Classidra Series

External lighting



Illuminated Architectural Lighting Column suitable for plaza and pedestrian areas. Also available in Bollard height.

Features Tubular Base section and Top section, with narrow (blade shaped) mid section. LED is in top section.

Construction: Die cast and extruded aluminium construction. IP65. Height 4m as standard, or 2.4m for Mini version, or 1.1m for Bollard version.

Installation: Flanged, with J-Bolt Kit.

Finish: Light Grey finish as standard. Anthracite Grey on request.

LED: Available in 26w or 52w LED. 4K as standard, 3K on request.

Driver: Internal LED Driver.

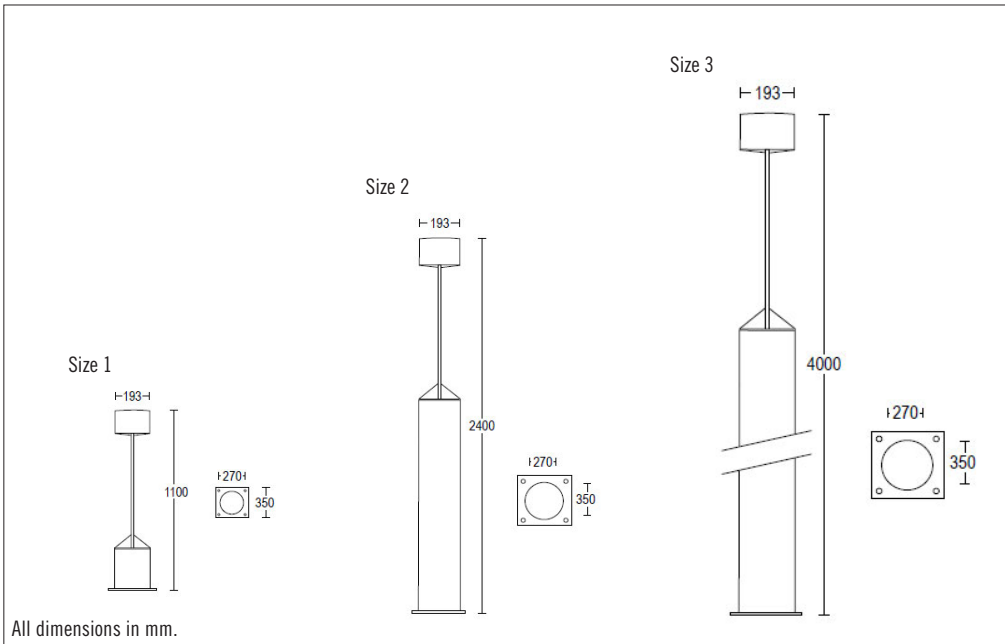
Options: Also available as 1.1m high Bollard.

Product Compliance: EN 60598, CE.

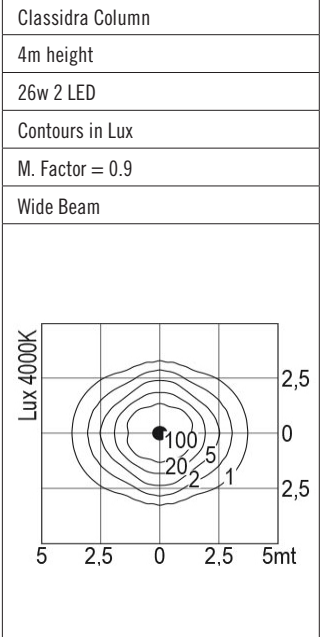
Veelite



DIMENSIONS



APPLICATION GUIDE



ORDERING CODE

Wattage	Type	Size	Code	Details	Lumens
26w	LED	1	G-1506.HBX.T	Miniclassidra Bollard, 4K	3700 lm
26w	LED	2	G-1507.HBX.T	Miniclassidra Luminaire, 4K	3700 lm
52w	LED	3	G-1501.HHX.T	Classidra Luminaire, 4K	7400 lm
-	-	-	G-429	Flange Plate with J-Bolts	-

OPTIONS

3K: 3000K, Warm White
.05: Anthracite Grey Finish
.13: Light Grey Finish
DALI: DALI on request

Flange Plate, with J-Bolts

