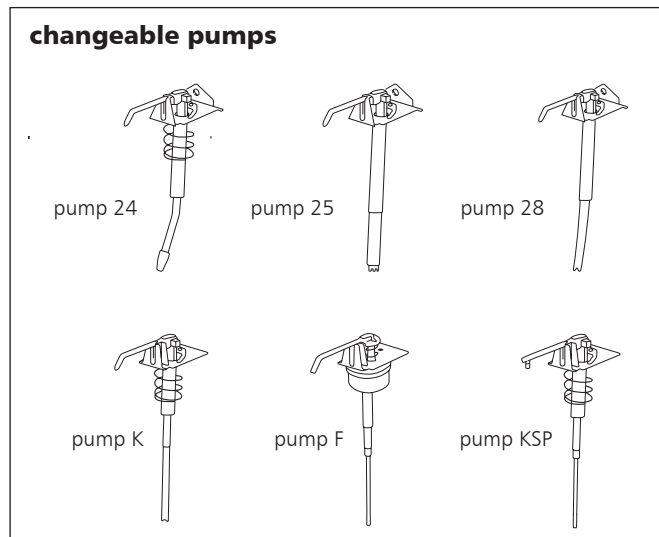
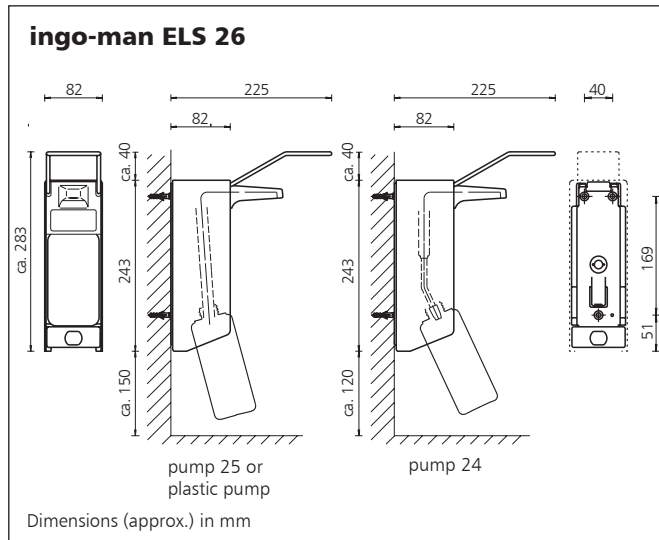


# ingo-man® ELS 26 A

dispenser for soap and disinfectant • aluminium  
with exchangeable pump • long operating lever  
for disposable bottles, refillable

**OPHARDT**  
hygiene

Ophardt Hygiene-Technik GmbH + Co. KG  
Lindenau 27 • D-47661 Issum  
Tel.: +49 2835 18-0 • Fax: +49 2835 18-77  
E-Mail: info@ophardt.com • www.ophardt.com



## Dispenser for soap and disinfectant

- ▶ dispenses liquid soaps, washing up liquids, alcoholic-based disinfectants, lotions, etc.
- ▶ ideal for hospital and medical domains
- ▶ for disposable 500 ml bottle
- ▶ with exchangeable pump

## Technical Data

Housing:	Aluminium, silver anodized
Dosing pump:	pump 25, stainless steel, straight suction pipe, pump 24, stainless steel, bended suction pipe, pump 28, stainless steel, flexible suction pipe, pump K, plastic pump pump F, plastic pump with foam generator, pump KSP, plastic spray pump for disinfectants
Dosing:	pumps 25+24+28 autoclavable at 134°C, 2 bar, pumps K+F+KSP dishwasher-proof pump K, pump KSP approx. 1,5 ml/stroke, reducible in 3 steps, pumps 24, 25, 28 adjustable at approx. 0,7 ml/1,0 ml/1,5 ml (in dependence on Viskosity of the product)
Operating lever:	Stainless steel
Wall bracket:	Plastic
Marking clip:	white (for product differentiation)
Wall mounting:	with three plugs and screws

## Description for tender

**ingo-man ELS 26 A/25 Art.-No. 1115400**  
..... pcs.  
dispenser for soap and disinfectant, 500 ml, aluminium, silver anodized, long operating lever, one clip, HDPE bottle, stainless steel pump 25, for cleaning of the pump remove it without mounting tools quick and easy backwards out of the dispenser - insert in vice versa per "push and click"-system  
Dimensions: W 82 x H 283 x D 225 mm

**ingo-man ELS 26 A/24 Art.-No. 1115700**  
..... pcs.  
dispenser for soap and disinfectant, 500 ml, aluminium, silver anodized, long operating lever, one clip, HDPE bottle, stainless steel pump 25, for cleaning of the pump remove it without mounting tools quick and easy backwards out of the dispenser - insert in vice versa per "push and click"-system  
Dimensions: W 82 x H 283 x D 225 mm

**ingo-man ELS 26 A/K Art.-No. 837300**  
..... pcs.  
dispenser for soap and disinfectant, 500 ml, aluminium, silver anodized, long operating lever, one clip, HDPE bottle, plastic pump, for cleaning of the pump remove it without mounting tools quick and easy backwards out of the dispenser - insert in vice versa per "push and click"-system  
Dimensions: W 82 x H 283 x D 225 mm

Continued tender:  
**ingo-man<sup>®</sup> ELS 26 A**



Ophardt Hygiene-Technik GmbH + Co. KG  
Lindenau 27 • D-47661 Issum  
Tel.: +49 2835 18-0 • Fax: +49 2835 18-77  
E-Mail: info@ophardt.com • www.ophardt.com

..... pcs. **ingo-man ELS 26 A/28 Art.-No. 1414899**  
dispenser for soap and disinfectant, 500 ml,  
aluminium, silver anodized  
long operating lever, one clip, HDPE bottle,  
stainless steel pump 28 with flexible plastic  
suction pipe,  
for cleaning of the pump remove it without  
mounting tools quick and easy backwards out  
of the dispenser - insert in vice versa per  
"push and click"-system  
Dimensions: W 82 x H 283 x D 225 mm

..... pcs. **ingo-man ELS 26 A/KSP Art.-No. 1412585**  
dispenser for disinfectant, 500 ml,  
aluminium, silver anodized  
long operating lever, one clip, HDPE bottle,  
plastic spray pump for disinfectants,  
for cleaning of the pump remove it without  
mounting tools quick and easy backwards out  
of the dispenser - insert in vice versa per  
"push and click"-system  
Dimensions: W 82 x H 283 x D 225 mm

..... pcs. **ingo-man ELS 26 A/F Art.-No. 1413878**  
foam soaps dispenser, 500 ml,  
aluminium, silver anodized  
long operating lever, one clip, HDPE bottle,  
plastic pump with foam generator,  
for cleaning of the pump remove it without  
mounting tools quick and easy backwards out  
of the dispenser - insert in vice versa per  
"push and click"-system  
Dimensions: W 82 x H 283 x D 225 mm

Product: **ingo-man<sup>®</sup>**  
Manufacturer: OPHARDT HYGIENE-TECHNIK GmbH + Co. KG